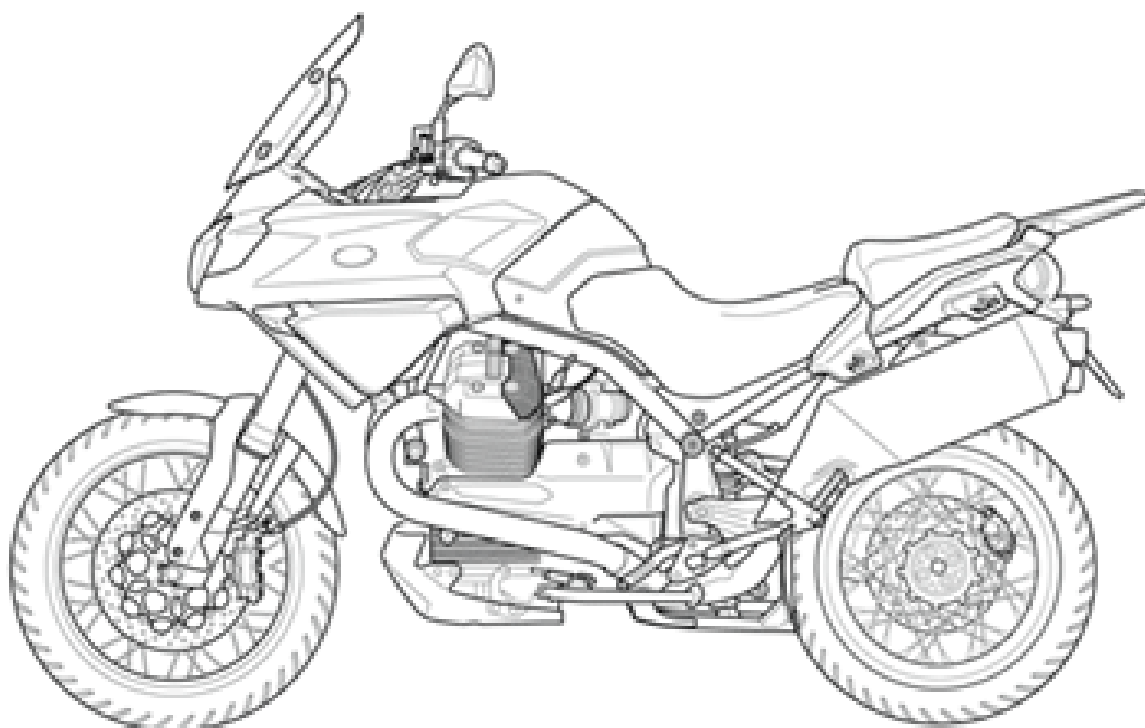




PIAGGIO & C.s.p.a.



CATALOGO PARTI DI RICAMBIO



Stelvio 1200 2008

Prefisso telaio: ZGULZ0, ZGULZU, ZGULZC00

Prefisso motore:

STELVIO

GU090



Indice

Prodotti finiti.....	4
Indice alfanumerico.....	5
TELAIO.....	11
Tavola 33.01 - Telaio.....	11
Tavola 33.02 - Telaio II.....	12
Tavola 33.03 - Cavalletti.....	13
Tavola 33.04 - Pedane pilota.....	15
Tavola 33.05 - Pedane passeggero.....	16
Tavola 33.06 - Leva cambio.....	17
Tavola 33.07 - Sterzo.....	18
Tavola 33.08 - Forcella anteriore.....	19
Tavola 33.09 - Forcellone.....	21
Tavola 33.10 - Trasmissione posteriore.....	22
Tavola 33.11 - Trasmissione post.-Scatola.....	23
Tavola 33.12 - Trasmis.post.-Coppia conica.....	24
Tavola 33.13 - Bielletta e ammortizzatore post.....	25
Tavola 33.14 - Serbatoio benzina.....	26
Tavola 33.15 - Carrozzeria ant. - Cupolino.....	27
Tavola 33.16 - Carrozzeria ant. - Convogliatori.....	28
Tavola 33.17 - Carrozzeria centrale.....	30
Tavola 33.18 - Parafango ant.-Puntale carena.....	31
Tavola 33.19 - Sella.....	32
Tavola 33.20 - Carr. Post.I.....	33
Tavola 33.21 - Carr. Post.II.....	34
Tavola 33.22 - Maniglione - Portapacchi.....	35
Tavola 33.23 - Cruschetto.....	36
Tavola 33.24 - Manubrio - Comandi.....	37
Tavola 33.25 - Pompa freno ant.....	38
Tavola 33.26 - Comando frizione cpl.....	39
Tavola 33.27 - Radiatore olio.....	40
Tavola 33.28 - Impianto Blow-by.....	41
Tavola 33.29 - Alimentazione.....	42
Tavola 33.30 - Cassa filtro.....	43
Tavola 33.31 - Gruppo scarico.....	44
Tavola 33.32 - Pompa benzina interna.....	45
Tavola 33.33 - Ruota anteriore.....	46
Tavola 33.34 - Pinza freno anteriore.....	47
Tavola 33.35 - Ruota posteriore.....	48
Tavola 33.36 - Pompa freno post.....	49
Tavola 33.37 - Pinza freno post.....	51
Tavola 33.38 - Fanale ant./Claxon.....	52
Tavola 33.39 - Fanale posteriore.....	53
Tavola 33.40 - Impianto elettrico I.....	54



Tavola 33.41 - Impianto elettrico II.....	56
Tavola 33.42 - Kit serrature.....	57
Tavola 33.43 - Targhette-decalco-libretti.....	58
Tavola 33.66 - Impianto recupero vapori benzina.....	59
MOTORE.....	60
Tavola 34.44 - Carter I.....	60
Tavola 34.45 - Carter II.....	62
Tavola 34.46 - Testa - valvole.....	63
Tavola 34.47 - Coperchio testa.....	64
Tavola 34.48 - Distribuzione cilindro dx.....	65
Tavola 34.49 - Distribuzione cilindro sx.....	67
Tavola 34.50 - Albero motore - cilindro.....	69
Tavola 34.51 - Distribuzione.....	70
Tavola 34.52 - Lubrificazione.....	71
Tavola 34.53 - Pompa olio.....	72
Tavola 34.54 - Filtri olio.....	73
Tavola 34.55 - Frizione.....	74
Tavola 34.56 - Scatola cambio.....	75
Tavola 34.57 - Selettore cambio.....	76
Tavola 34.58 - Albero primario cambio.....	77
Tavola 34.59 - Albero secondario.....	78
Tavola 34.60 - Albero frizione.....	79
Tavola 34.61 - Generatore di corrente.....	80
Tavola 34.62 - Motorino avviamento.....	81
Tavola 34.63 - Corpo farfallato.....	82
ATTREZZI SPECIALI.....	83
Tavola 36.64 - Attrezzatura specifica I.....	83
Tavola 36.65 - Attrezzatura specifica II.....	84



STELVIO
GU090 - Stelvio 1200 2008

Prefisso telaio: ZGULZO, ZGULZU,
ZGULZC00
Prefisso motore:

Prodotti finiti

Codice	Validità
GU9032750AU800	
GU9032750AU801	
GU9032750AU802	
GU9032750AU803	
GU9032750EU600	
GU9032750EU601	
GU9032750EU700	
GU9032750EU701	
GU9032750EU800	
GU9032750EU802	
GU9032750EU803	
GU9032750JP800	
GU9032750JP801	
GU9032750JP802	
GU9032750JP803	



Codice	N.Tavola	Pos.	Codice	N.Tavola	Pos.	Codice	N.Tavola	Pos.
013763	34.52	8	873425	34.49	4	877820	34.54	6
015792	34.48	5	873426	34.48	4	883001	33.24	15
015792	34.49	5	873490	34.63	3	883002	33.24	16
020470Y	36.64	5	873491	34.63	8	883007	33.37	10
020672Y	36.64	12	873626	34.47	9	883009	33.33	1
020673Y	36.64	16	873631	34.48	12	883023	33.20	5
020674Y	36.64	19	873631	34.49	12	883024	33.20	4
020675Y	36.64	20	873654	34.47	13	883028	33.40	11
020676Y	36.64	21	873667	34.50	2	883034	33.28	5
020677Y	36.64	1	873668	34.47	8	883035	33.28	6
020678Y	36.64	22	873689	34.48	28	883036	33.28	8
020689Y	36.64	23	873689	34.50	20	883038	33.42	7
020716Y	36.64	4	873690	34.49	28	883042	33.42	9
237553	34.53	7	873690	34.50	21	883043	33.29	3
244585	34.49	29	873850	34.48	10	883044	33.06	9
269787	33.15	4	873850	34.49	10	883045	33.10	7
285846	34.46	8	873861	34.63	14	883046	33.10	2
411209	34.44	2	873879	34.63	7	883047	33.22	12
414835	34.53	9	873904	34.63	1	883048	33.19	7
434947	34.52	6	873906	34.53	14	883054	33.19	4
436438	34.46	6	873928	34.51	8	883063	33.41	13
463195	33.15	22	874126	34.46	9	883069	33.15	20
463195	33.16	23	874127	34.46	5	88307000BM	33.16	1
463195	33.17	7	874213	34.44	19	88307000Y01	33.16	1
484819	34.48	11	874223	34.52	3	88307000Y02	33.16	1
484819	34.49	11	874238	34.52	18	88307100BM	33.16	12
487444	34.48	14	874239	34.52	17	88307100Y01	33.16	12
487444	34.49	14	874240	34.52	15	88307100Y02	33.16	12
560110	34.44	10	874257	34.44	27	88307300Y10	33.16	14
560173	33.15	5	874280	34.51	18	88307400Y10	33.16	4
621914	34.52	12	874281	34.51	11	88307800BM	33.16	7
639542	33.03	11	874286	34.50	7	88307800Y01	33.16	7
825597	34.45	4	874287	34.50	4	88307800Y02	33.16	7
825597	34.46	11	874288	34.50	5	883080	33.42	12
825597	34.50	11	874289	34.50	6	883092	33.29	6
825694	34.48	7	874293	34.50	15	883093	33.29	7
825694	34.49	7	874335	34.46	7	883094	33.31	7
827018	34.46	10	874482	34.53	8	883097	33.30	12
827018	34.48	2	874521	34.48	22	883100	33.20	8
827018	34.49	2	874521	34.49	22	883101	33.01	21
829122	34.54	2	874567	34.50	8	883102	33.04	1
829486	34.53	5	874601	34.48	19	883103	33.04	2
829661	34.53	6	874601	34.49	19	883140	33.16	6
830249	34.47	3	874607	34.50	14	883142	34.62	17
843060	34.48	20	874616	34.53	11	883144	34.44	34
843060	34.49	20	874621	34.48	3	883169	33.43	11
849131	34.50	18	874621	34.49	3	883177	33.20	17
849866	34.50	23	874621	34.50	12	883208	33.03	31
856062	33.66	8	874622	34.48	3	883214	33.21	8
856063	33.66	6	874622	34.49	3	883287	33.33	7
859810	33.24	6	874622	34.50	12	883287	33.35	10
872606	34.47	10	874645	34.52	9	883380	33.43	7
872607	34.47	1	874646	34.52	7	883393	33.14	1
872695	34.46	3	874650	34.53	1	883413	33.03	30
872696	34.46	4	874655	34.52	11	883460	33.24	19
872726	34.47	4	874669	34.52	4	883461	33.24	20
872740	34.47	14	874799	34.51	15	883467	33.16	25
872741	34.47	11	874801	34.53	10	883468	33.16	26
872742	34.47	7	874805	34.48	29	883664	33.03	6
872755	34.46	2	874805	34.49	30	883678	33.08	1
872755	34.49	1	874980	34.44	26	883679	33.08	34
872756	34.46	1	875243	34.50	19	883791	33.14	16
872756	34.48	1	875244	34.50	19	969323	34.52	10
872759	34.48	6	877322	34.48	13	974228	34.48	27
872759	34.49	6	877322	34.49	13	974228	34.49	27
872814	34.48	21	877725	34.48	13	976006	34.50	17
872814	34.49	21	877725	34.49	13	976023	34.55	1



Codice	N.Tavola	Pos.	Codice	N.Tavola	Pos.	Codice	N.Tavola	Pos.
976053	34.55	2	976674	34.48	15	978445	33.18	1
976304	34.50	10	976674	34.49	15	97844500BM	33.18	1
976311	34.48	3	976696	34.55	14	97844500Y01	33.18	1
976311	34.49	3	976934	34.56	17	97844500Y02	33.18	1
976311	34.50	12	976936	34.44	30	978446	33.20	1
976312	34.50	9	977041	33.36	14	978447	33.40	2
976330	34.51	1	977056	33.35	5	978448	33.40	1
976331	34.51	4	977303	33.43	4	978448	33.41	1
976334	34.51	9	977582	33.31	20	978449	33.23	5
976337	34.48	26	977583	33.15	6	978450	33.38	1
976337	34.49	26	977584	33.15	7	978451	33.39	1
976338	34.48	25	977596	33.15	12	978452	33.14	1
976338	34.49	25	977597	33.15	13	978453	33.19	1
976341	34.48	24	977600	33.15	8	978454	33.19	2
976341	34.49	24	977666	33.42	1	978464	33.34	1
976342	34.50	22	977681	33.15	11	978465	33.34	2
976350	34.48	18	977698	33.15	15	978466	33.34	4
976350	34.49	18	977699	33.15	19	978500	33.35	2
976351	34.60	1	977762	33.41	6	978516	33.33	5
976355	34.51	6	977769	33.40	18	978526	33.01	14
976359	34.48	8	977772	33.40	19	978558	33.24	11
976359	34.49	8	977795	33.39	12	978579	33.27	1
976360	34.48	9	977809	33.01	10	978606	33.25	1
976360	34.49	9	978002	33.03	7	978607	33.26	1
976376	33.31	3	978004	33.03	6	978616	34.62	5
976381	34.51	2	978005	33.01	1	978618	34.62	10
976445	34.48	16	978006	33.13	1	978619	34.62	15
976445	34.49	16	978007	33.03	1	978621	33.31	1
976453	34.56	1	978012	33.03	10	978622	33.31	2
976478	34.45	9	978016	33.07	1	978633	33.23	6
976480	34.45	1	978016	33.08	11	97863400Y11	33.17	2
976481	34.55	7	978018	33.07	2	978635	33.31	8
976484	34.55	8	978018	33.08	13	97863800Y10	33.20	6
976486	34.44	18	978022	33.02	1	97863900Y10	33.20	7
976488	34.51	3	978026	33.33	2	978640	33.16	9
976494	34.63	16	978030	33.33	10	978641	33.16	8
976495	34.63	17	978040	33.24	1	978642	33.14	3
976498	34.63	5	978042	33.24	4	978647	33.43	8
976502	34.44	16	978047	33.28	1	978648	33.41	3
976521	33.31	14	978059	33.24	18	978687	33.16	2
976532	34.60	4	978138	33.29	1	978688	33.16	13
976533	34.60	3	978138	33.32	1	978739	33.26	10
976535	34.55	5	978152	33.16	16	978739	34.55	3
976538	34.51	10	978152	33.17	5	978764	33.33	8
976539	34.44	1	978152	33.40	3	978776	33.18	5
976554	34.45	5	978170	33.15	17	978777	33.18	4
976555	34.63	4	978205	33.23	1	978784	33.25	6
976556	33.40	27	978220	33.42	5	978810	33.33	7
976559	34.47	12	978301	33.35	15	978810	33.35	10
976560	34.47	6	978350	33.09	1	978811	33.33	15
976563	34.55	9	978414	33.37	1	978811	33.35	11
976564	34.55	10	978418	33.15	1	978814	33.33	14
976565	34.56	5	97841800Y11	33.15	1	978814	33.35	14
976566	34.63	6	978419	33.17	1	978815	33.35	8
976570	33.10	1	97841900BM	33.17	1	978816	33.35	9
976581	33.12	1	97841900Y01	33.17	1	978821	33.24	2
976589	34.48	17	97841900Y02	33.17	1	978841	33.01	4
976589	34.49	17	978423	33.15	2	978846	33.27	5
976591	34.47	2	97842400Y11	33.23	2	978849	33.35	1
976592	34.52	5	978425	33.21	1	978851	34.62	9
976593	34.55	12	978426	33.43	7	978852	34.62	4
976594	34.55	12	978427	33.38	10	97885300Y10	33.18	3
976595	34.55	12	978428	33.38	8	978854	34.52	16
976596	34.55	12	978431	33.16	5	978864	33.33	6
976597	34.52	19	97843900Y10	33.22	1	978874	33.01	6
976625	34.52	20	978443	33.31	15	978880	34.62	14
976665	34.51	16	978444	33.31	22	978882	33.43	6



Codice	N.Tavola	Pos.	Codice	N.Tavola	Pos.	Codice	N.Tavola	Pos.
978895	34.52	1	AP8102765	33.28	15	AP8124266	33.41	8
978896	34.52	14	AP8102913	33.19	5	AP8124768	33.41	12
978911	33.26	7	AP8104329	33.30	2	AP8124869	33.40	17
978984	33.01	7	AP8104509	33.24	8	AP8124936	33.40	29
978987	33.43	1	AP8104614	33.66	7	AP8125773	33.33	4
981007	34.50	13	AP8104666	33.14	13	AP8125777	33.33	3
981008	34.50	1	AP8104921	33.24	13	AP8127098	33.39	6
981009	34.50	3	AP8104922	33.24	14	AP8127650	33.42	8
981010	34.63	2	AP8110066	33.13	5	AP8127817	33.32	4
981011	34.63	20	AP8110068	33.13	6	AP8133594	33.26	8
981022	33.08	5	AP8110077	33.07	8	AP8133595	33.37	8
981023	33.08	6	AP8112811	33.41	4	AP8133596	33.34	5
981024	33.08	16	AP8112996	33.36	27	AP8133596	33.37	9
981025	33.08	17	AP8113081	33.36	16	AP8133597	33.37	7
981026	33.08	18	AP8113082	33.36	17	AP8133962	33.25	7
981027	33.08	19	AP8113288	33.36	3	AP8133962	33.37	11
981028	33.08	15	AP8113594	33.36	2	AP8134378	33.31	17
981029	33.08	7	AP8113993	33.25	5	AP8134448	33.21	4
981031	33.08	8	AP8113995	33.25	3	AP8134451	33.05	5
981032	33.08	10	AP8113996	33.26	4	AP8134829	33.05	4
981033	33.08	22	AP8113997	33.26	5	AP8134884	33.66	2
981034	33.08	23	AP8113998	33.26	6	AP8134948	33.19	9
981035	33.08	24	AP8117200	33.16	20	AP8135608	33.13	8
981036	33.08	25	AP8118579	33.24	7	AP8135924	33.13	4
981037	33.08	26	AP8120030	33.27	4	AP8140146	36.65	10
981038	33.08	27	AP8120030	33.28	3	AP8140149	36.65	11
981039	33.08	28	AP8120030	33.30	21	AP8140179	36.64	11
981040	33.08	29	AP8120030	33.38	6	AP8140190	36.65	1
981041	33.08	30	AP8120030	33.40	14	AP8140758	36.65	9
981042	33.08	31	AP8120178	33.36	13	AP8144007	33.06	7
981043	33.08	32	AP8120428	33.03	22	AP8144007	33.36	25
981044	33.08	21	AP8120485	33.12	7	AP8144038	33.30	18
981045	33.08	14	AP8120593	33.30	4	AP8144046	33.41	9
981046	33.26	2	AP8120708	33.14	14	AP8144071	33.31	18
981050	33.25	2	AP8120708	33.20	15	AP8144164	33.30	8
981087	33.23	18	AP8120876	33.15	25	AP8144303	33.66	9
981087	33.42	16	AP8120876	33.30	20	AP8144328	33.14	6
981099	33.24	22	AP8120912	33.06	3	AP8144565	33.16	24
981100	33.24	23	AP8120912	33.36	20	AP8144565	33.17	9
981101	33.24	21	AP8120952	34.56	16	AP8145034	33.04	3
981114	34.52	21	AP8121072	33.31	19	AP8145035	33.04	10
981115	34.54	15	AP8121098	33.12	6	AP8149034	33.21	11
981152	33.08	20	AP8121098	33.18	12	AP8150046	34.45	10
AP4ADN000007	34.44	20	AP8121133	33.05	6	AP8150220	33.08	4
AP8101595	33.30	19	AP8121155	33.13	10	AP8150255	33.23	8
AP8101595	33.36	5	AP8121205	33.07	9	AP8150292	33.03	16
AP8101595	34.56	15	AP8121207	33.07	4	AP8150292	33.13	13
AP8101861	33.05	7	AP8121218	33.10	4	AP8150377	33.20	10
AP8102375	33.01	20	AP8121221	33.06	2	AP8150413	33.16	3
AP8102375	33.15	23	AP8121221	33.36	19	AP8150413	33.23	17
AP8102375	33.16	15	AP8121223	33.06	6	AP8150421	33.30	9
AP8102375	33.17	6	AP8121223	33.36	24	AP8150432	33.01	13
AP8102375	33.18	10	AP8121467	33.03	2	AP8150462	33.06	5
AP8102375	33.20	2	AP8121520	33.24	10	AP8150462	33.36	22
AP8102375	33.21	2	AP8121567	33.04	8	AP8150493	33.17	8
AP8102375	33.22	15	AP8121607	33.03	14	AP8150509	33.22	13
AP8102375	33.38	7	AP8121795	33.40	4	AP8150509	33.23	9
AP8102375	34.62	13	AP8121882	33.23	16	AP8152001	33.03	15
AP8102378	33.66	14	AP8121890	33.22	10	AP8152043	33.23	14
AP8102381	33.15	24	AP8121915	33.26	9	AP8152147	33.13	12
AP8102381	33.16	22	AP8121915	33.37	6	AP8152154	33.22	9
AP8102381	33.38	18	AP8121927	33.36	23	AP8152166	34.51	7
AP8102520	33.28	14	AP8121994	33.03	14	AP8152238	33.23	11
AP8102523	33.19	10	AP8123641	33.07	7	AP8152242	33.10	5
AP8102524	33.03	17	AP8123642	33.07	5	AP8152268	33.21	6
AP8102678	33.66	1	AP8123643	33.07	3	AP8152272	33.42	14
AP8102765	33.28	11	AP8123644	33.07	6	AP8152277	33.04	7



Codice	N.Tavola	Pos.	Codice	N.Tavola	Pos.	Codice	N.Tavola	Pos.
AP8152277	33.05	8	AP8220263	33.14	11	GU01722704	33.40	23
AP8152277	33.66	3	AP8220263	33.20	12	GU01722705	33.40	23
AP8152278	33.15	14	AP8220263	33.66	16	GU01731760	33.40	20
AP8152278	33.26	11	AP8220346	33.31	10	GU01732560	33.40	35
AP8152278	33.28	4	AP8220526	33.30	13	GU01743791	33.38	12
AP8152278	33.36	12	AP8220546	33.40	16	GU01929100	36.64	7
AP8152278	34.55	4	AP8221023	33.27	3	GU03013800	33.22	14
AP8152279	33.02	4	AP8221023	33.30	17	GU03013800	34.53	12
AP8152279	33.14	7	AP8221023	33.38	5	GU03013800	34.62	16
AP8152279	33.36	4	AP8221023	33.40	15	GU03270300	33.15	18
AP8152279	33.38	13	AP8221036	33.07	14	GU03530529	33.08	3
AP8152279	33.40	13	AP8221128	33.18	7	GU03604845	33.26	3
AP8152280	33.20	13	AP8221145	33.36	11	GU03749845	33.25	9
AP8152280	33.22	2	AP8221204	33.03	18	GU05001630	34.45	12
AP8152280	33.27	2	AP8221211	33.03	19	GU05002130	34.45	3
AP8152280	33.30	16	AP8221277	33.04	6	GU05003630	34.44	17
AP8152280	33.40	33	AP8221307	33.01	11	GU05004930	34.44	24
AP8152287	33.03	24	AP8221317	33.03	4	GU05005730	34.54	4
AP8152287	33.20	13	AP8221318	33.03	5	GU05103930	33.14	2
AP8152288	33.01	8	AP8224164	33.21	5	GU05103930	33.42	2
AP8152291	34.44	29	AP8224164	33.21	9	GU05107430	33.32	2
AP8152298	33.07	13	AP9100838	36.64	3	GU05128230	33.31	13
AP8152299	33.30	15	CM023705	33.42	13	GU05135930	33.29	4
AP8152299	33.38	14	CM162701	34.48	30	GU05152230	34.54	3
AP8152299	33.40	30	CM162701	34.49	31	GU05204930	34.56	8
AP8152299	33.40	34	CM162702	34.48	30	GU05206530	33.11	12
AP8152300	33.02	3	CM162702	34.49	31	GU05210631	34.58	1
AP8152300	33.03	27	CM162703	34.48	30	GU05211331	34.58	10
AP8152300	33.04	13	CM162703	34.49	31	GU05211431	34.58	7
AP8152301	33.01	9	CM162704	34.48	30	GU05212031	34.58	4
AP8152301	33.13	11	CM162704	34.49	31	GU05212631	34.58	9
AP8152301	33.31	11	CM162705	34.48	30	GU05213631	34.59	1
AP8152302	33.16	18	CM162705	34.49	31	GU05214031	34.59	7
AP8152302	33.17	3	GU00823923140	33.03	23	GU05214231	34.59	3
AP8152302	33.21	3	GU00823931055	33.16	19	GU05214431	34.59	12
AP8152302	33.39	3	GU00823950050	33.36	6	GU05214630	34.58	5
AP8152306	33.21	10	GU00823955080	33.28	12	GU05214630	34.59	5
AP8152306	33.21	7	GU01003651	34.44	15	GU05214731	34.59	9
AP8152306	33.29	2	GU01106090	33.32	5	GU05215031	34.59	10
AP8152306	33.39	11	GU01108490	33.32	3	GU05215631	34.58	2
AP8152318	33.09	2	GU01154230	33.28	10	GU05220531	34.59	11
AP8152320	33.37	2	GU01154230	34.44	11	GU05230531	34.57	18
AP8152325	33.24	5	GU01154230	34.52	2	GU05230831	34.57	21
AP8152329	33.30	5	GU01161331	33.28	9	GU05232431	34.57	19
AP8152329	33.36	10	GU01161331	34.52	13	GU05232631	34.57	20
AP8152339	33.17	13	GU01163600	34.54	8	GU05234130	34.57	11
AP8152339	33.18	2	GU01163700	34.54	7	GU05234230	34.57	12
AP8152339	33.18	9	GU01528930	33.11	13	GU05234431	34.57	1
AP8152339	33.20	3	GU01528930	33.11	8	GU05234631	34.57	2
AP8152339	33.42	15	GU01528930	34.44	23	GU05234731	34.57	10
AP8152339	34.62	8	GU01528930	34.56	9	GU05234931	34.57	13
AP8152384	33.07	10	GU01530588	33.08	2	GU05235531	34.57	3
AP8152396	33.13	16	GU01530589	33.08	9	GU05236231	34.57	7
AP8152397	33.13	9	GU01576530	33.20	14	GU05238131	34.57	15
AP8152398	33.13	2	GU01577830	33.16	11	GU05238231	34.57	8
AP8152409	33.04	9	GU01577830	33.23	4	GU05238331	34.57	14
AP8152409	33.05	9	GU01603480	33.24	12	GU05238431	34.57	9
AP8152410	33.10	3	GU01609630	33.24	17	GU05239330	34.57	17
AP8152410	33.31	9	GU01612190	33.33	11	GU05256930	33.06	10
AP8152414	33.34	9	GU01654630	33.34	3	GU05326330	33.10	6
AP8152482	33.13	15	GU01659130	33.34	6	GU05351230	33.11	2
AP8157631	33.43	9	GU01659131	33.34	7	GU05352430	33.12	2
AP8178918	33.03	3	GU01721600	33.40	21	GU05358030	33.11	6
AP8201808	33.37	13	GU01722700	33.40	23	GU05358130	33.11	5
AP8202238	33.37	12	GU01722701	33.40	23	GU05358230	33.11	7
AP8220150	33.23	7	GU01722702	33.40	23	GU05358330	33.11	1
AP8220162	33.28	13	GU01722703	33.40	23	GU05358530	33.11	15

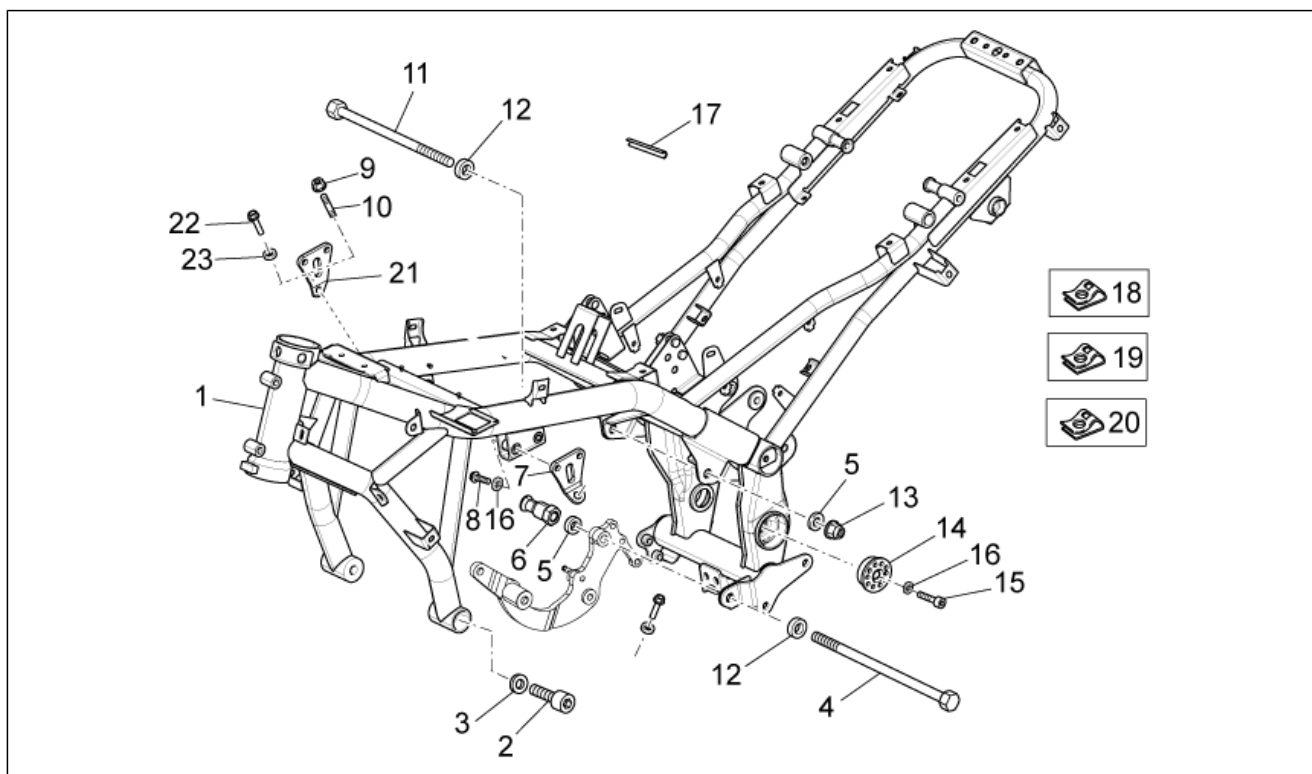


Codice	N.Tavola	Pos.	Codice	N.Tavola	Pos.	Codice	N.Tavola	Pos.
GU05358630	33.11	16	GU06747900	33.41	7	GU30729330	33.30	10
GU05429630	33.03	9	GU06765400	33.23	13	GU30944300	33.43	5
GU05466630	33.22	5	GU06765500	33.23	15	GU30970200	33.43	12
GU05466631	33.22	6	GU06917300	33.43	3	GU31003766	33.11	9
GU05466830	33.19	8	GU06917400	33.43	2	GU31003766	34.44	22
GU05466830	33.42	4	GU12018900	34.44	6	GU31003766	34.56	13
GU05547030	33.09	6	GU12022600	34.44	31	GU31159050	34.53	2
GU05547130	33.09	5	GU12154200	34.56	11	GU31159050	34.54	14
GU05547930	33.09	8	GU12911801	36.64	10	GU32441210	33.04	5
GU05548030	33.09	3	GU12912000	36.64	8	GU32441210	33.05	3
GU05560330	33.13	3	GU12913600	36.64	17	GU32442310	33.05	1
GU05562030	33.13	7	GU14018400	33.10	8	GU32442710	33.05	10
GU05562430	33.13	14	GU14085900	34.55	11	GU32443210	33.04	4
GU05606630	33.26	12	GU14086000	34.55	13	GU32443210	33.05	2
GU05611430	33.33	9	GU14217901	33.15	21	GU32443211	33.04	11
GU05632730	33.35	3	GU14433400	34.51	12	GU32443211	33.05	11
GU05635730	33.35	6	GU14609650	33.03	29	GU32461610	33.19	3
GU05638130	33.12	9	GU14609650	33.40	32	GU32474710	33.39	10
GU05654630	33.37	3	GU14609650	33.41	18	GU32727010	33.31	12
GU05658431	33.07	12	GU14615901	33.01	16	GU49609601	33.40	32
GU05659030	33.37	5	GU14615901	33.03	25	GU49609601	33.41	18
GU05659130	33.37	4	GU14615901	33.04	14	GU4FAN000030	34.61	10
GU05661130	33.25	4	GU14615901	33.15	10	GU61270300	34.44	13
GU05663530	33.36	7	GU14615901	33.22	4	GU66530505	33.08	12
GU05666030	33.36	9	GU14615901	33.31	5	GU90271014	34.57	16
GU05666930	33.36	1	GU14615901	34.44	5	GU90271022	34.57	4
GU05701430	34.61	7	GU14616150	33.33	12	GU90271030	34.58	8
GU05702530	34.61	6	GU14616150	33.35	13	GU90271030	34.59	8
GU05704531	33.41	2	GU14912603	36.64	24	GU90271230	34.58	6
GU05712431	34.61	1	GU14927100	36.64	9	GU90271230	34.59	6
GU05716730	33.40	7	GU17661052	33.36	8	GU90273026	33.12	8
GU05717030	33.40	12	GU17947560	36.64	15	GU90353014	34.57	22
GU05730730	34.62	1	GU18144350	34.53	4	GU90401424	34.56	12
GU05735530	33.42	6	GU18144350	34.54	13	GU90404558	33.12	3
GU05781630	33.08	33	GU18144350	34.56	7	GU90405367	34.44	4
GU05782530	33.23	10	GU19002020	34.56	14	GU90408511	33.11	10
GU05782530	33.42	3	GU19149800	33.01	23	GU90412237	34.45	2
GU05900130	33.43	14	GU19149800	34.62	7	GU90412541	34.59	14
GU05902530	36.64	13	GU19207220	34.56	10	GU90706009	33.66	11
GU05902730	36.65	7	GU19927100	36.64	18	GU90706061	33.33	16
GU05902731	36.65	4	GU19929600	36.64	14	GU90706061	33.35	12
GU05902732	36.65	2	GU25656100	33.25	8	GU90706141	33.40	22
GU05902733	36.65	3	GU25656100	33.34	8	GU90706151	34.54	5
GU05902734	36.65	6	GU28157950	33.66	4	GU90706178	34.44	25
GU05902735	36.65	5	GU28576591	33.01	18	GU90706203	34.44	32
GU05902736	36.65	8	GU28576591	33.20	14	GU90706347	34.45	8
GU05911730	36.64	2	GU28576591	33.27	7	GU90718120	33.11	3
GU05927230	36.64	6	GU28576591	33.28	16	GU91120507	33.38	20
GU05944530	33.43	13	GU28576591	33.31	23	GU91120507	33.39	9
GU05944930	33.43	10	GU28576592	33.01	19	GU91120606	34.45	13
GU06107100	33.14	5	GU28576592	33.02	6	GU91120607	34.45	7
GU06113300	33.30	3	GU28576592	33.36	28	GU91180600	33.16	17
GU06113700	33.30	7	GU28576592	33.66	15	GU91180600	33.17	4
GU06114000	33.30	1	GU28742562	33.41	5	GU91180823	34.61	2
GU06114200	33.30	6	GU29108550	33.66	5	GU91551010	33.18	6
GU06123500	33.31	6	GU29722760	33.40	23	GU91600365	34.51	19
GU06250900	33.06	1	GU29729461	33.40	26	GU91600450	34.51	14
GU06409800	33.01	17	GU30027931	33.30	11	GU92201025	34.57	6
GU06412300	33.28	2	GU30150900	34.54	9	GU92201117	34.57	5
GU06418600	33.20	9	GU30153000	34.54	1	GU92201226	34.59	13
GU06609600	33.40	31	GU30158900	34.53	3	GU92201226	34.60	2
GU06609600	33.41	17	GU30158900	34.54	12	GU92201822	34.58	11
GU06616300	33.33	13	GU30217900	33.01	3	GU92201822	34.59	2
GU06677000	33.36	18	GU30217900	33.03	21	GU92204230	33.12	5
GU06704700	33.14	12	GU30611460	33.35	7	GU92208518	33.12	4
GU06704700	33.20	11	GU30714201	34.61	9	GU92232028	34.60	5
GU06704700	33.66	10	GU30716500	33.40	6	GU92249224	33.09	7



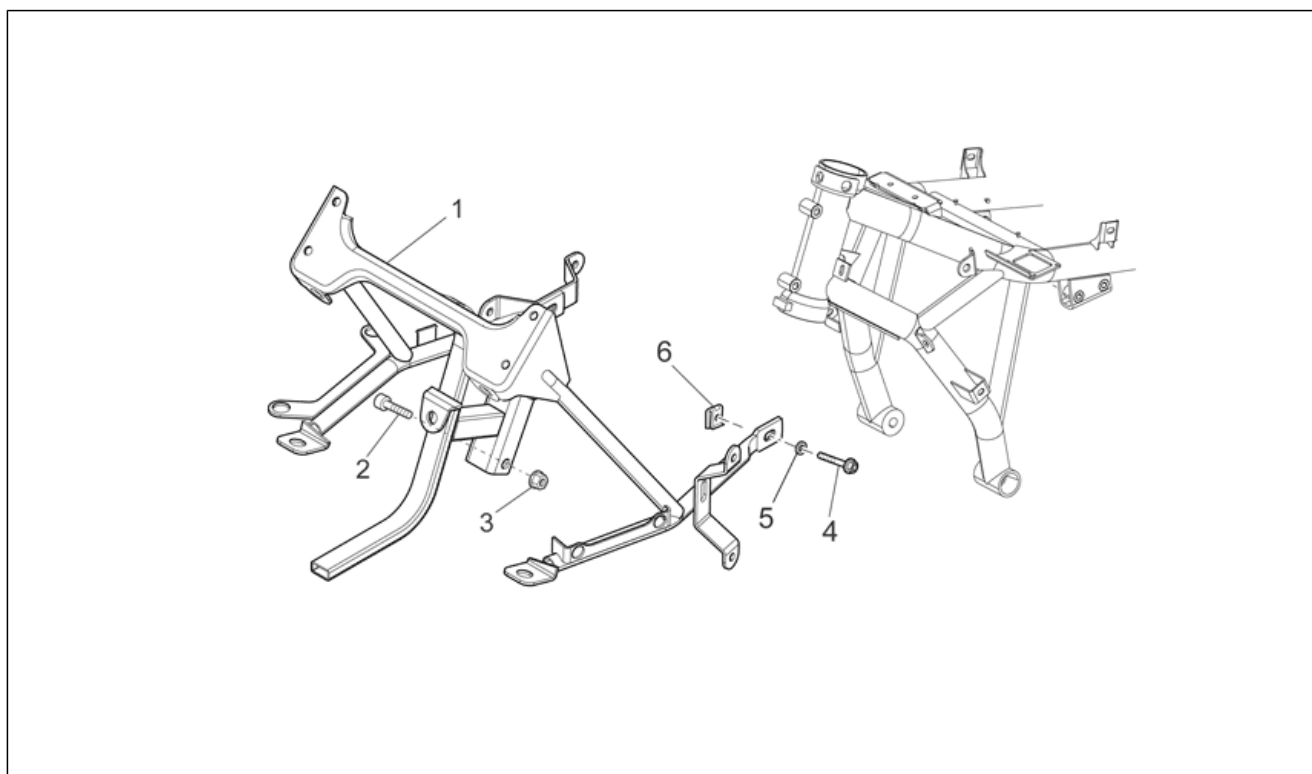
Codice	N.Tavola	Pos.	Codice	N.Tavola	Pos.	Codice	N.Tavola	Pos.
GU92252029	34.58	3	GU95512081	34.44	9	GU98682320	33.06	12
GU92252029	34.59	4	GU95963062	33.66	12	GU98682320	34.45	6
GU92602525	34.51	17	GU95980216	34.44	33	GU98682325	33.09	9
GU92605408	34.61	12	GU95980319	34.56	6	GU98682330	34.44	14
GU92606206	33.36	15	GU95990023	33.66	13	GU98682330	34.45	11
GU92606516	34.61	8	GU96508066	34.44	3	GU98682416	33.22	3
GU92609408	33.41	11	GU96508075	34.44	7	GU98682425	33.04	16
GU92630104	33.40	10	GU97202355	34.56	2	GU98682430	33.07	11
GU92630104	33.42	10	GU97202355	34.62	11	GU98682430	33.23	12
GU92630707	33.06	11	GU97202435	33.03	26	GU98682530	33.03	8
GU92640708	33.15	16	GU97202665	33.35	4	GU98682650	33.01	2
GU92650035	33.21	13	GU98054520	33.01	22	GU98683520	33.40	28
GU92650035	33.38	17	GU98082475	34.62	2	GU98692210	33.39	4
GU92650138	33.31	21	GU98084425	34.44	12	GU98692216	33.14	15
GU92660012	34.61	5	GU98223530	33.21	12	GU98692414	33.01	15
GU92660021	33.31	4	GU98230510	34.47	5	GU98700430	33.24	3
GU92660021	34.44	8	GU98230612	34.55	6	GU98710215	33.16	10
GU92750180	34.51	13	GU98230820	33.22	7	GU98710215	33.20	16
GU92787205	33.41	16	GU98230850	34.61	11	GU98710215	33.22	16
GU93180220	34.56	3	GU98231235	33.03	20	GU98710215	33.23	3
GU93222023	33.14	9	GU98250635	33.22	11	GU98882325	34.63	9
GU93242015	33.03	28	GU98257618	33.15	3	GU99210406	33.11	14
GU93301315	33.30	22	GU98350210	33.41	14			
GU93304390	33.09	4	GU98350210	34.48	23			
GU93304390	33.40	32	GU98350210	34.49	23			
GU93304390	33.41	18	GU98350310	34.50	24			
GU93305061	34.63	13	GU98350310	34.63	11			
GU93306017	33.28	7	GU98350315	34.51	5			
GU93306020	33.14	10	GU98350416	33.18	11			
GU93306050	34.63	18	GU98350425	33.18	8			
GU93450105	33.38	3	GU98350430	33.22	8			
GU93450105	33.39	13	GU98370412	33.16	21			
GU93450126	33.38	9	GU98370412	33.17	10			
GU93450126	33.39	2	GU98370412	33.25	10			
GU93450232	33.38	2	GU98370412	33.38	11			
GU94321077	34.54	10	GU98370616	34.56	4			
GU95005306	34.53	13	GU98370625	33.19	6			
GU95005306	34.62	12	GU98371020	34.62	6			
GU95005310	33.15	9	GU98612216	33.03	12			
GU95008204	33.40	9	GU98620445	34.61	3			
GU95008204	33.42	11	GU98620485	33.04	19			
GU95008205	33.17	12	GU98620560	34.61	4			
GU95008205	33.39	8	GU98680125	33.38	19			
GU95008205	33.40	25	GU98680222	33.29	5			
GU95008205	33.41	15	GU98680225	33.38	4			
GU95008206	33.30	14	GU98680225	33.39	7			
GU95008206	34.54	11	GU98680335	34.45	15			
GU95008206	34.63	10	GU98680340	33.14	4			
GU95008208	34.62	3	GU98680340	33.24	9			
GU95008210	33.06	8	GU98680340	33.27	6			
GU95008305	34.63	19	GU98680340	34.44	28			
GU95008310	33.36	26	GU98680345	33.40	5			
GU95008313	33.01	5	GU98680360	34.44	21			
GU95020105	33.03	13	GU98680435	33.04	12			
GU95021104	33.25	11	GU98680440	33.02	2			
GU95021105	33.38	16	GU98680450	33.11	11			
GU95021206	33.36	29	GU98680460	33.04	18			
GU95100059	33.39	5	GU98680460	33.31	16			
GU95100116	34.50	16	GU98680465	33.04	17			
GU95100116	34.63	12	GU98680480	33.04	15			
GU95100125	33.14	17	GU98682125	33.40	8			
GU95100141	33.02	5	GU98682212	33.17	11			
GU95100141	33.14	8	GU98682212	33.40	24			
GU95129100	33.38	15	GU98682212	34.63	15			
GU95129131	33.41	10	GU98682316	33.06	4			
GU95129240	33.01	12	GU98682316	33.36	21			
GU95510620	33.11	4	GU98682316	34.45	14			

Gruppo	TELAIO
Codice	33.01
Descrizione	Telaio
Revisione	1



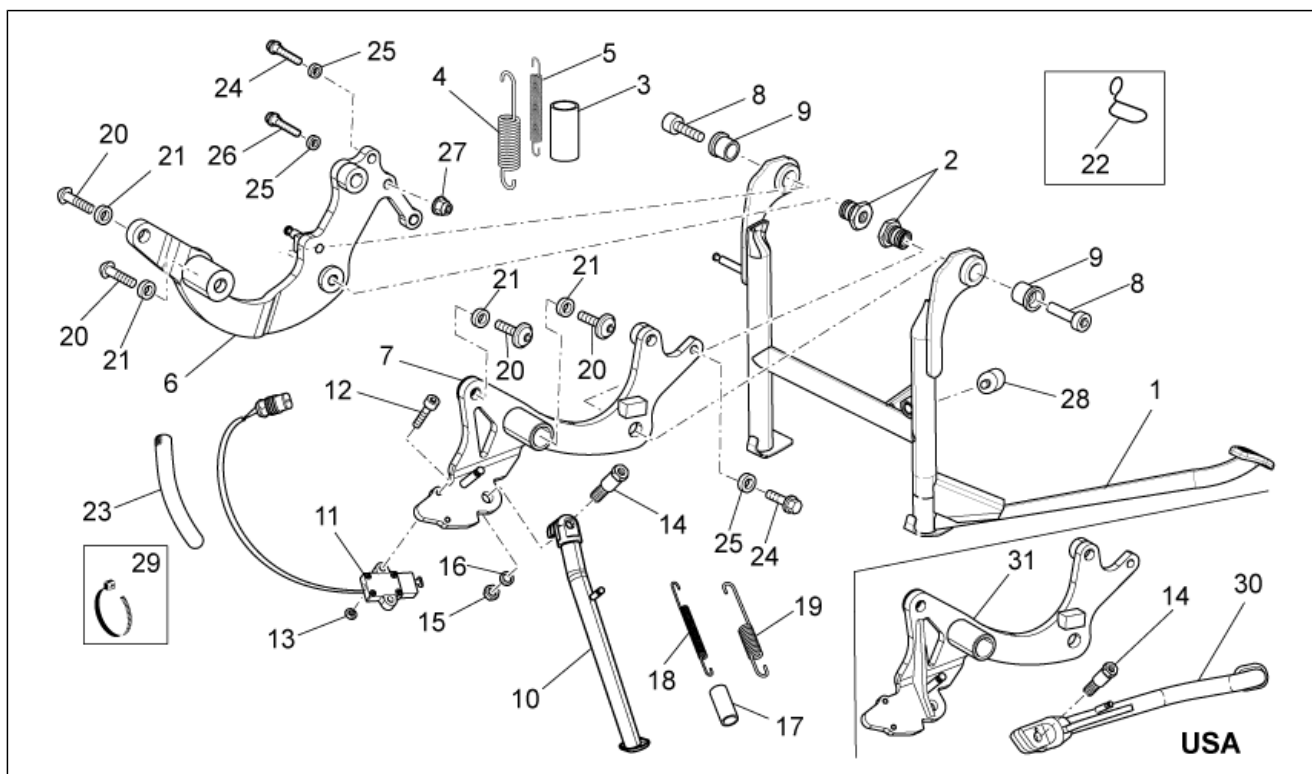
Pos.	Codice	Descrizione	Q.ta	Varianti
1	978005	Telaio	1	
2	GU98682650	Vite TCEI M12x50	2	
3	GU30217900	Rosetta 13x18x1,7	2	
4	978841	Perno M12x260	1	
5	GU95008313	Rosetta 13x24x2,5	2	
6	978874	Boccola	1	
7	978984	Piastra sx	1	
8	AP8152288	Vite TE flangiata	4	
9	AP8152301	Dado autobloc.flang.	2	Specifiche Tecniche:Prima serie[1A]
10	977809	Prigioniero M10x38	2	Specifiche Tecniche:Prima serie[1A]
11	AP8221307	Perno M12	1	
12	GU95129240	Rosetta ondulata	2	
13	AP8150432	Dado autobloc.basso M12*	2	
14	978526	Tappo	2	
15	GU98692414	Vite M8x14	2	
16	GU14615901	Rosetta 8,4X13X0,8	6	
17	GU06409800	Guarnizione	1	
18	GU28576591	Clip M6	6	
19	GU28576592	Dado a graffetta M6	6	
20	AP8102375	Clip	12	
21	883101	Piastra dx	1	
22	GU98054520	Vite	2	Specifiche Tecniche:Seconda serie[2A]
23	GU19149800	Rosetta 10,5x16x1	2	Specifiche Tecniche:Seconda serie[2A]

Gruppo	TELAIO
Codice	33.02
Descrizione	Telaio II
Revisione	1



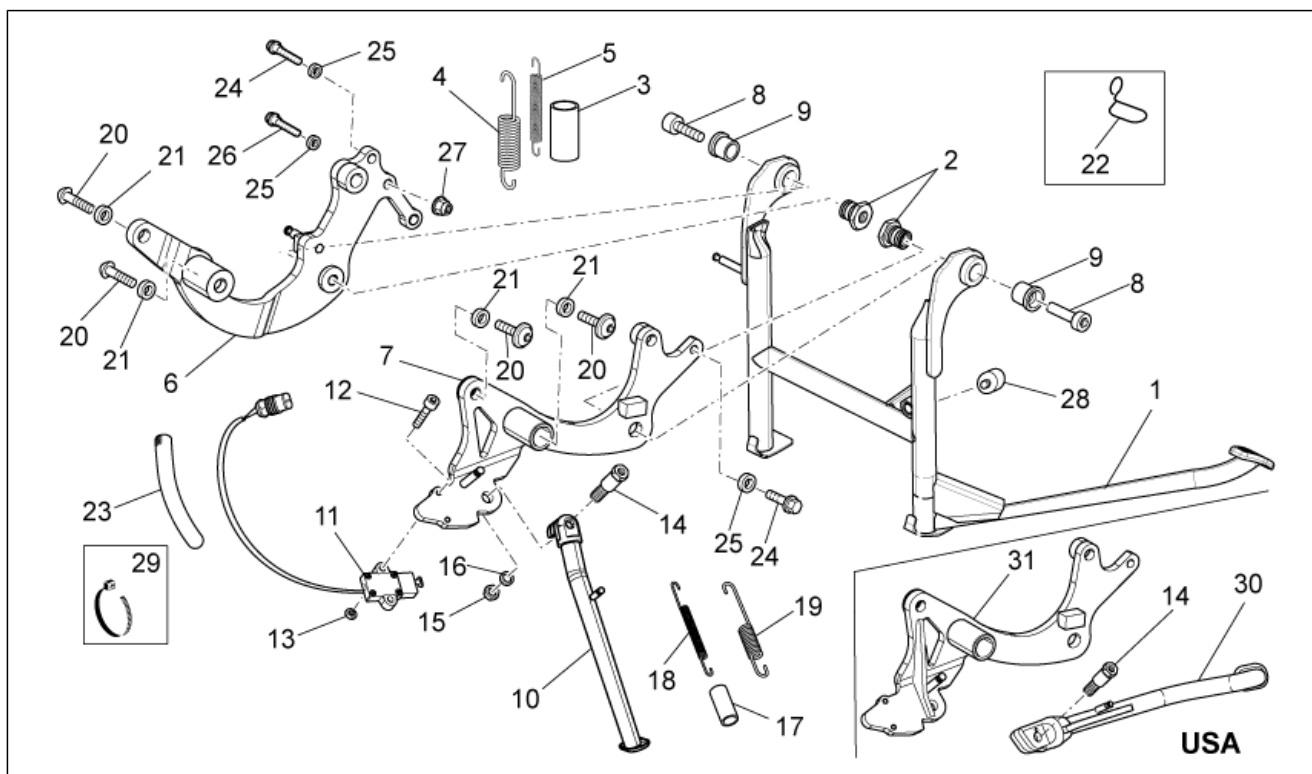
Pos.	Codice	Descrizione	Q.ta	Varianti
1	978022	Telaietto ant.	1	
2	GU98680440	Vite TCEI M8x40	2	
3	AP8152300	Dado autobloc.flang.	2	
4	AP8152279	Vite te flang. M6x20	2	
5	GU95100141	Rosetta 6,4x12x1,2	2	
6	GU28576592	Dado a graffetta M6	2	

Gruppo	TELAIO
Codice	33.03
Descrizione	Cavalletti
Revisione	1



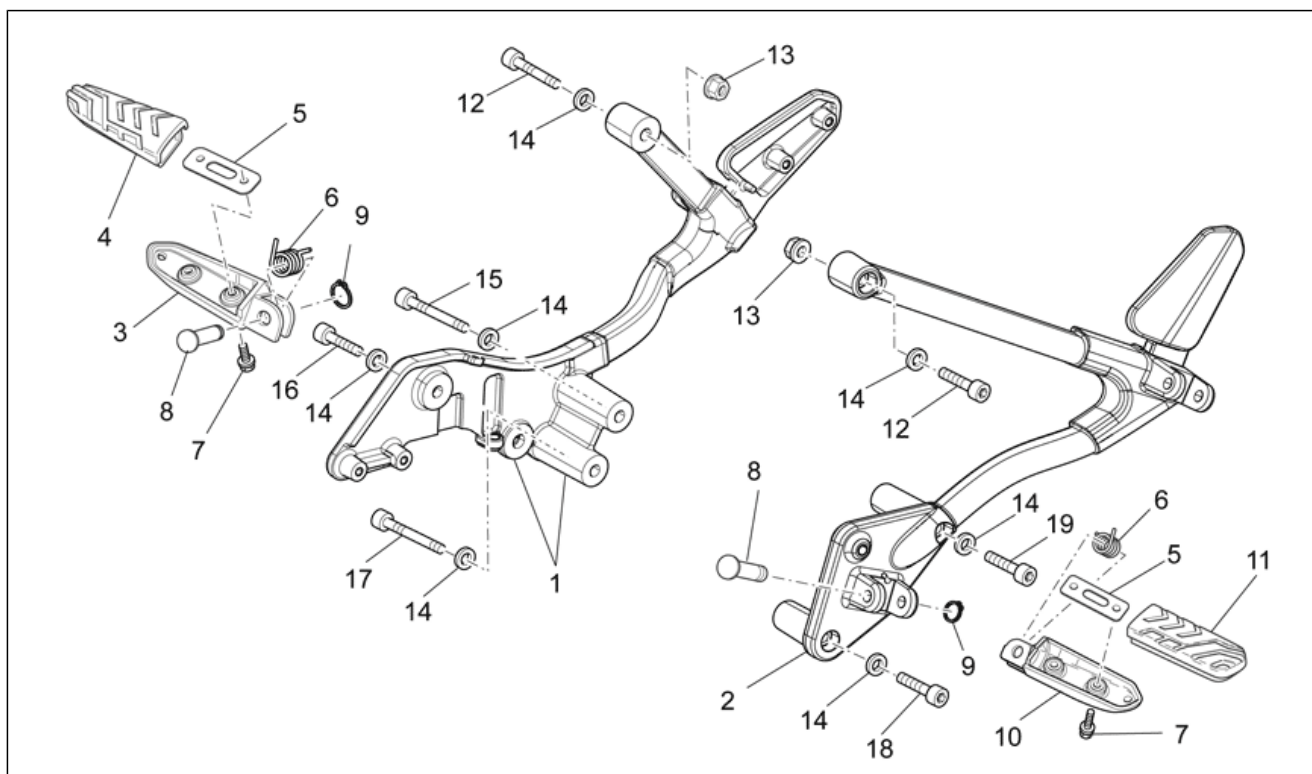
Pos.	Codice	Descrizione	Q.ta	Varianti
1	978007	Cavalletto centrale	1	
2	AP8121467	Supporto	2	
3	AP8178918	Protezione molla cavalletto	1	
4	AP8221317	Molla ritorno cavalletto	1	
5	AP8221318	Molla ritorno cavalletto int.	1	
6	883664	Piastra dx	1	
6	978004	Piastra dx	1	
7	978002	Piastra sx	1	Paese: Australia[AUS], Altri paesi[EU], Giappone[J], Gran Bretagna[UK]
8	GU98682530	Vite TCEI M10x30	2	
9	GU05429630	Bussola	2	
10	978012	Cavalletto laterale	1	Paese: Australia[AUS], Altri paesi[EU], Giappone[J], Gran Bretagna[UK]
11	639542	Interruttore cavalletto	1	
12	GU98612216	Vite TCEI	2	
13	GU95020105	Rosetta 5,3x8,9x2,4	2	
14	AP8121607	Vite cavalletto	1	Paese: Canada[CA], Stati Uniti d'America[USA]
14	AP8121994	Vite cavalletto	1	Paese: Australia[AUS], Altri paesi[EU], Giappone[J], Gran Bretagna[UK]
15	AP8152001	Dado basso M10x1,25*	1	
16	AP8150292	Rosetta elastica curva *	1	
17	AP8102524	Protezione molla cavalletto	1	
18	AP8221204	Molla ritorno cavalletto	1	
19	AP8221211	Molla ritorno cavalletto int.	1	
20	GU98231235	Vite TBEI M12x35	4	
21	GU30217900	Rosetta 13x18x1,7	2	
22	AP8120428	Guidacavo	1	
23	GU00823923140	Guaina termica	1	
24	AP8152287	Vite TE flangiata	1	

Gruppo	TELAIO
Codice	33.03
Descrizione	Cavalletti
Revisione	1



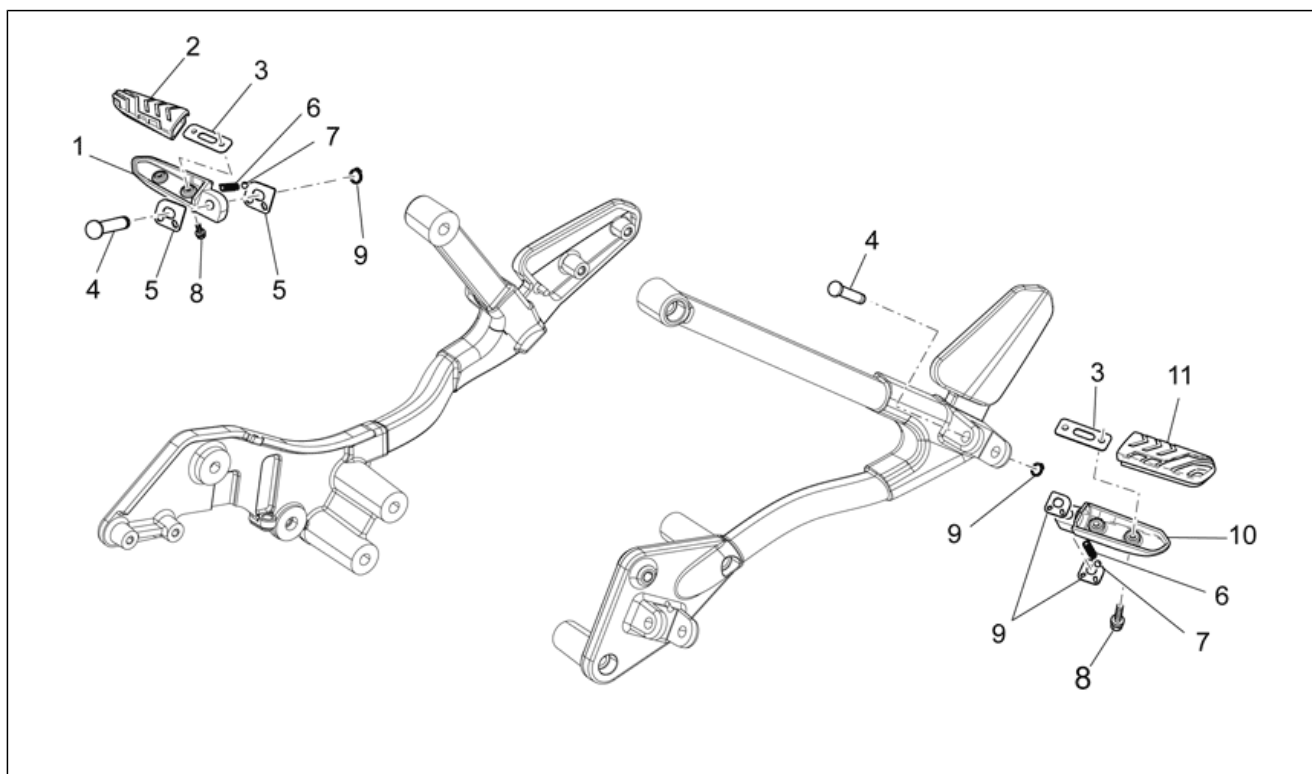
Pos.	Codice	Descrizione	Q.ta	Varianti
25	GU14615901	Rosetta 8,4X13X0,8	2	
26	GU97202435	Vite	1	
27	AP8152300	Dado autobloc.flang.	1	
28	GU93242015	Tampone	1	
29	GU14609650	Fascetta 3,6x20,6	2	
30	883413	Piastra sx	1	Paese:Canada[CA], Stati Uniti d'America[USA]
31	883208	Cavalletto laterale	1	Paese:Canada[CA], Stati Uniti d'America[USA]

Gruppo	TELAIO
Codice	33.04
Descrizione	Pedane pilota
Revisione	1



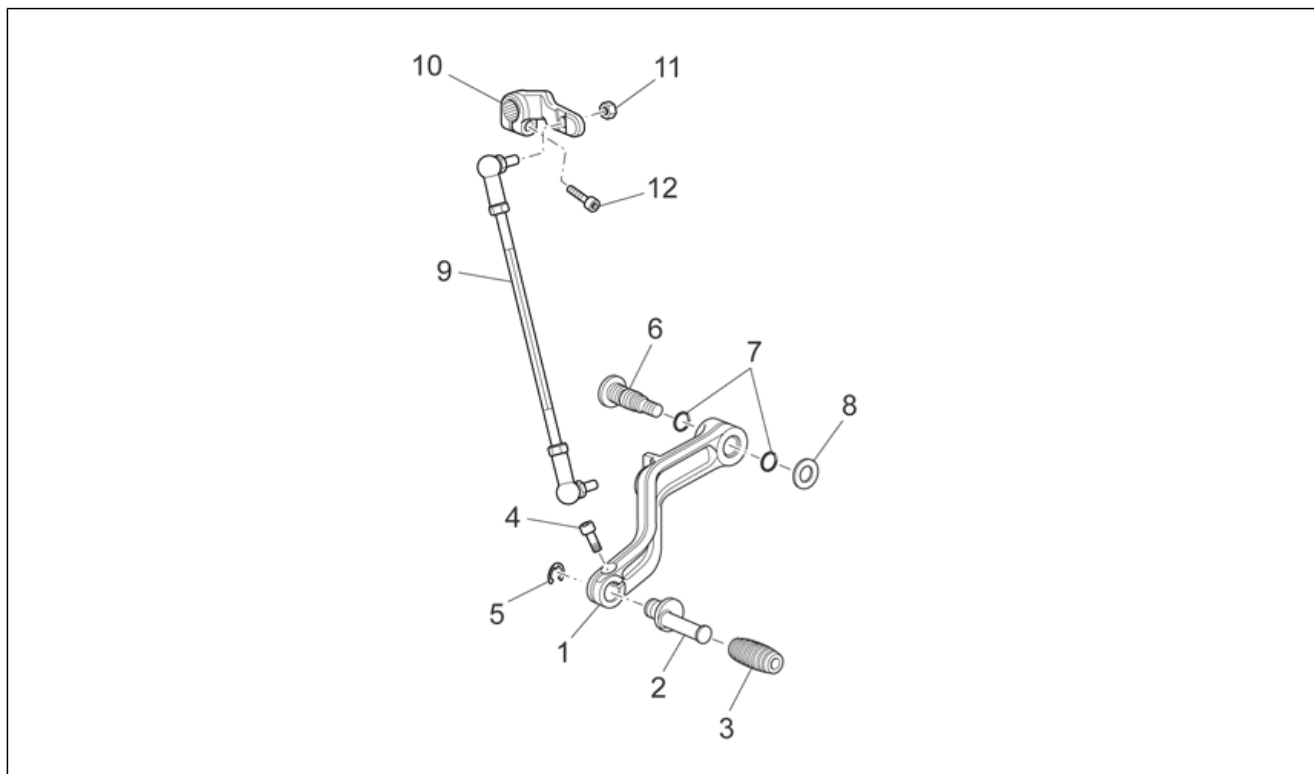
Pos.	Codice	Descrizione	Q.ta	Varianti
1	883102	Supporto pedana dx	1	
2	883103	Supporto pedana sx	1	
3	AP8145034	Pedana pilota dx	1	
4	GU32443210	Gomma	1	
5	GU32441210	Piastrina	2	
6	AP8221277	Molla ritorno pedana	2	
7	AP8152277	Vite TE flangiata	4	
8	AP8121567	Perno	2	
9	AP8152409	Anello di fermo radiale	2	
10	AP8145035	Pedana pilota sx	1	
11	GU32443211	Gomma	1	
12	GU98680435	Vite TCEI M8x35	2	
13	AP8152300	Dado autobloc.flang.	2	
14	GU14615901	Rosetta 8,4X13X0,8	7	
15	GU98680480	Vite	1	
16	GU98682425	Vite TCEI M8x25	1	
17	GU98680465	Vite	1	
18	GU98680460	Vite TCEI M8x60	1	
19	GU98620485	Vite	1	

Gruppo	TELAIO
Codice	33.05
Descrizione	Pedane passeggero
Revisione	1



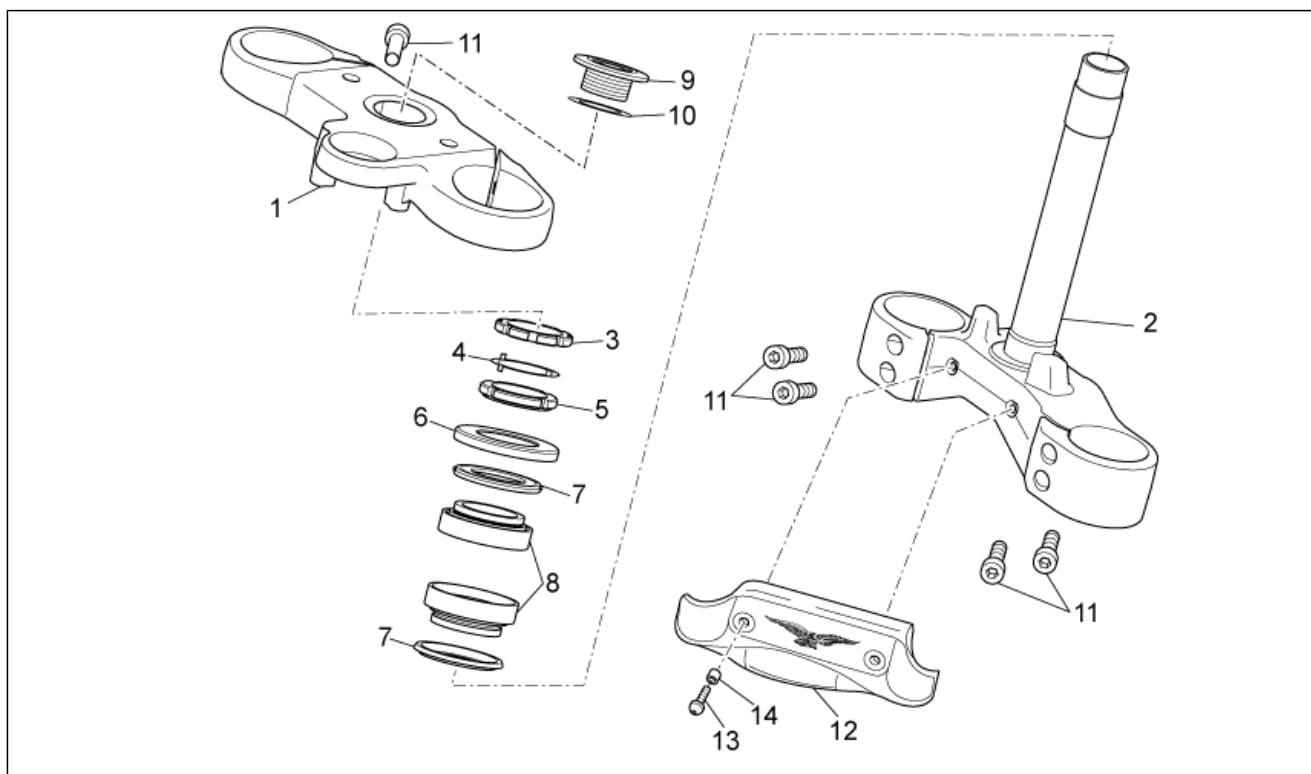
Pos.	Codice	Descrizione	Q.ta	Varianti
1	GU32442310	Pedana passeggero DX	1	
2	GU32443210	Gomma	1	
3	GU32441210	Piastrina	2	
4	AP8134829	Perno pedana	2	
5	AP8134451	Piastra fine corsa pedana	4	
6	AP8121133	Molla elica cilind.compres. *	2	
7	AP8101861	Sfera D6,35	2	
8	AP8152277	Vite TE flangiata	4	
9	AP8152409	Anello di fermo radiale	2	
10	GU32442710	Pedana passeggero SX	1	
11	GU32443211	Gomma	1	

Gruppo	TELAIO
Codice	33.06
Descrizione	Leva cambio
Revisione	1



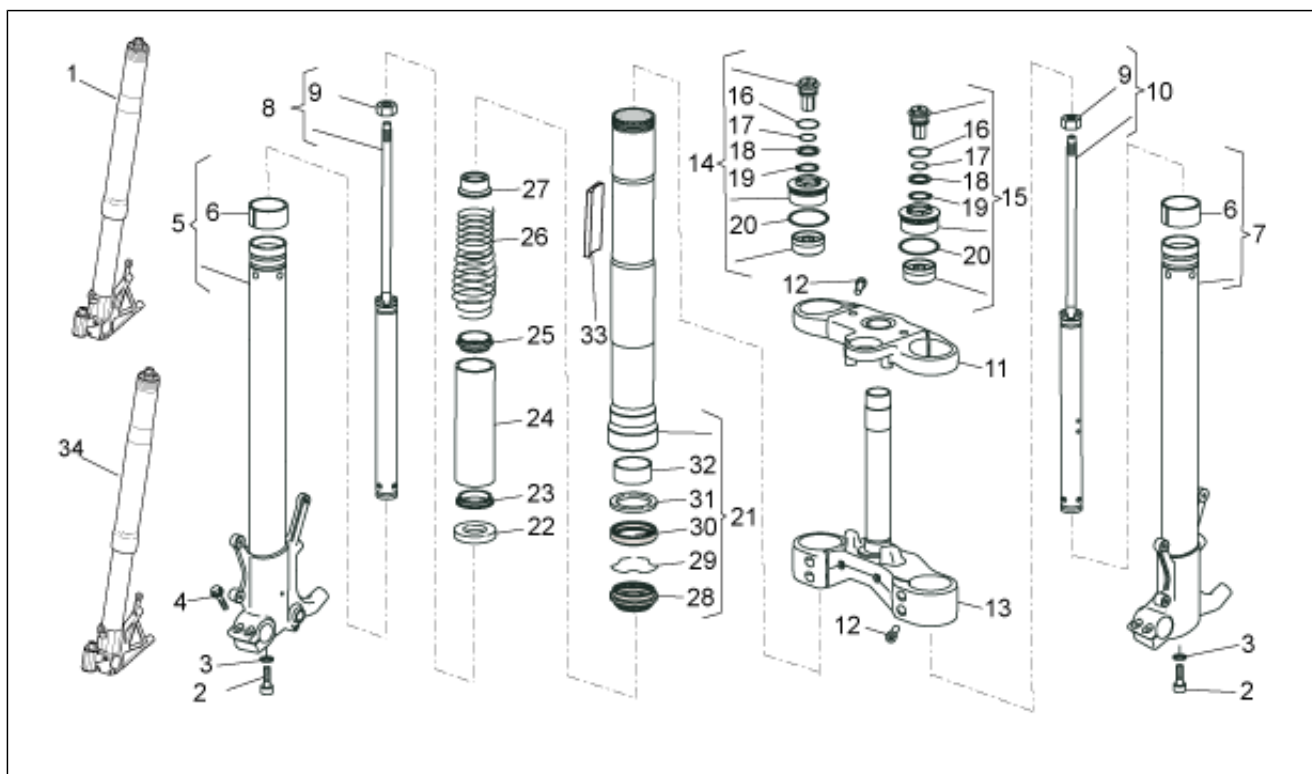
Pos.	Codice	Descrizione	Q.ta	Varianti
1	GU06250900	Leva cambio	1	
2	AP8121221	Piolo leva freno	1	
3	AP8120912	Gommino per leva	1	
4	GU98682316	Vite TCEI M6x16	1	
5	AP8150462	Anello Seeger d9	1	
6	AP8121223	Perno leva freno post.	1	
7	AP8144007	Anello OR 11,11x1,78	2	
8	GU95008210	Rosetta 10,2X18X2	1	
9	883044	Tirante cpl.	1	
10	GU05256930	Leva rinvio	1	
11	GU92630707	Dado	2	
12	GU98682320	Vite TCEI M6x20	1	

Gruppo	TELAIO
Codice	33.07
Descrizione	Sterzo
Revisione	1



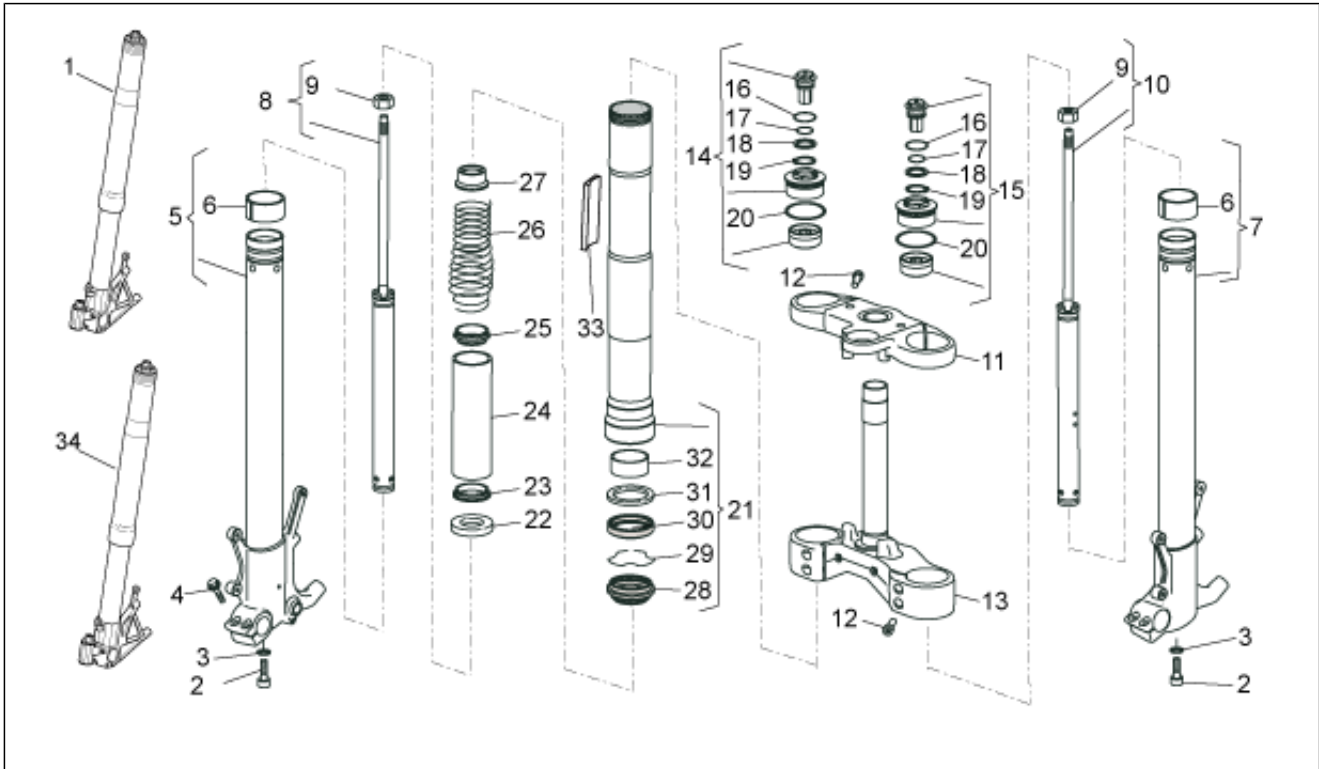
Pos.	Codice	Descrizione	Q.ta	Varianti
1	978016	Piastra sup.forcella	1	
2	978018	Base con canotto	1	
3	AP8123643	Controghiera	1	
4	AP8121207	Piastrina di sicurezza sterzo	1	
5	AP8123642	Ghiera	1	
6	AP8123644	Anello parapolvere	1	
7	AP8123641	Anello parapolvere	2	
8	AP8110077	Cuscinetto assiale a sfere	2	
9	AP8121205	Bussola fissaggio piastra sup.	1	
10	AP8152384	Rosetta tappo cannotto	1	
11	GU98682430	Vite TCEI M8x30	6	
12	GU05658431	Piastra fissaggio tubo freno	1	
13	AP8152298	Vite TBELI flangiata	2	
14	AP8221036	Boccia 5,3x8x7,1	2	

Gruppo	TELAIO
Codice	33.08
Descrizione	Forcella anteriore
Revisione	1



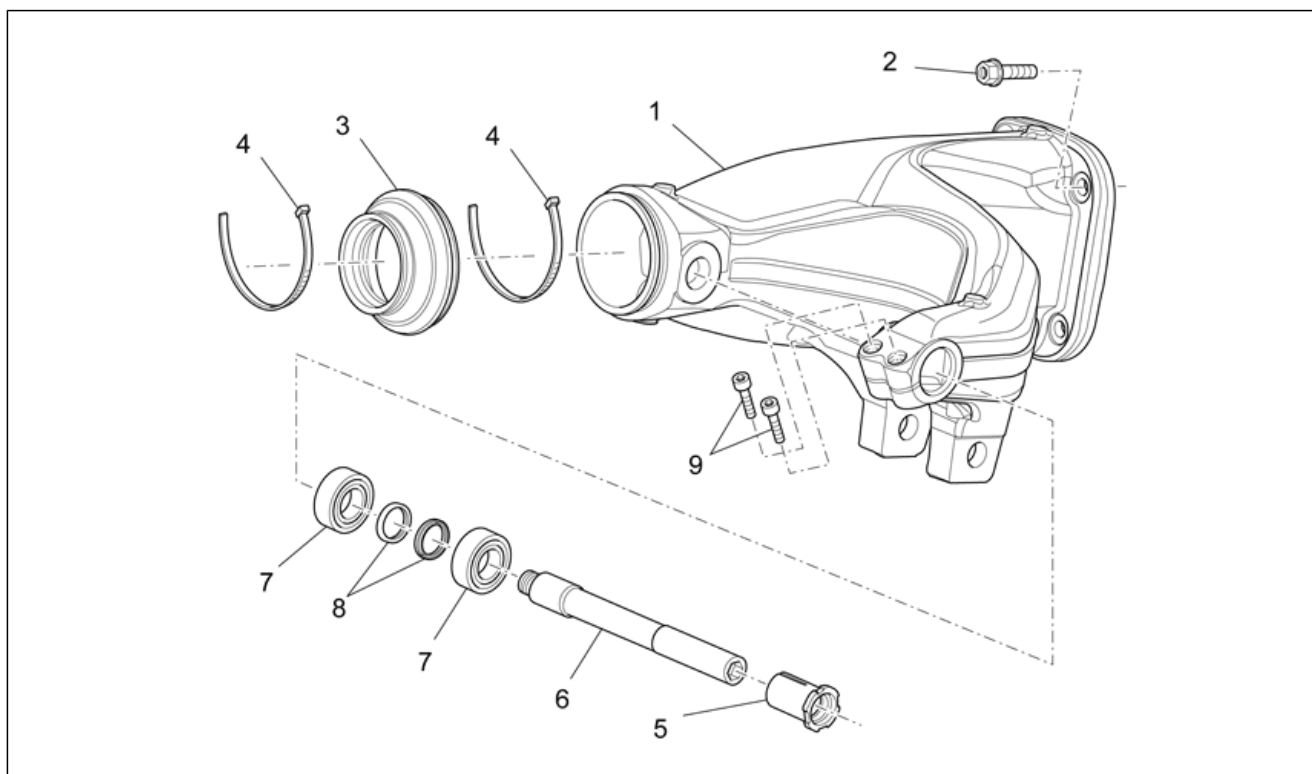
Pos.	Codice	Descrizione	Q.ta	Varianti
1	883678	Gambale destro completo	1	
2	GU01530588	Vite	2	
3	GU03530529	Rosetta	2	
4	AP8150220	Vite TCEI	4	
5	981022	Stelo+portaruota dx	1	
6	981023	Boccola	2	
7	981029	Stelo+portaruota sx	1	
8	981031	Pompante cpl.dx	1	
9	GU01530589	Dado	2	
10	981032	Pompante cpl.sx	1	
11	978016	Piastra sup.forcella	1	
12	GU66530505	Vite M8x30	6	
13	978018	Base con canotto	1	
14	981045	Tappo fodero dx	1	
15	981028	Tappo fodero sx	1	
16	981024	Anello OR	2	
17	981025	Anello OR	2	
18	981026	Rondella	2	
19	981027	Anello di arresto	2	
20	981152	Anello OR	2	
21	981044	Fodero cpl.	2	
22	981033	Scodellino portamolla	2	
23	981034	Guidamolla	2	
24	981035	Tubo precarica	2	
25	981036	Guidamolla	2	
26	981037	Molla	2	
27	981038	Boccola	2	
28	981039	Parapolvere	2	

Gruppo	TELAIO
Codice	33.08
Descrizione	Forcella anteriore
Revisione	1



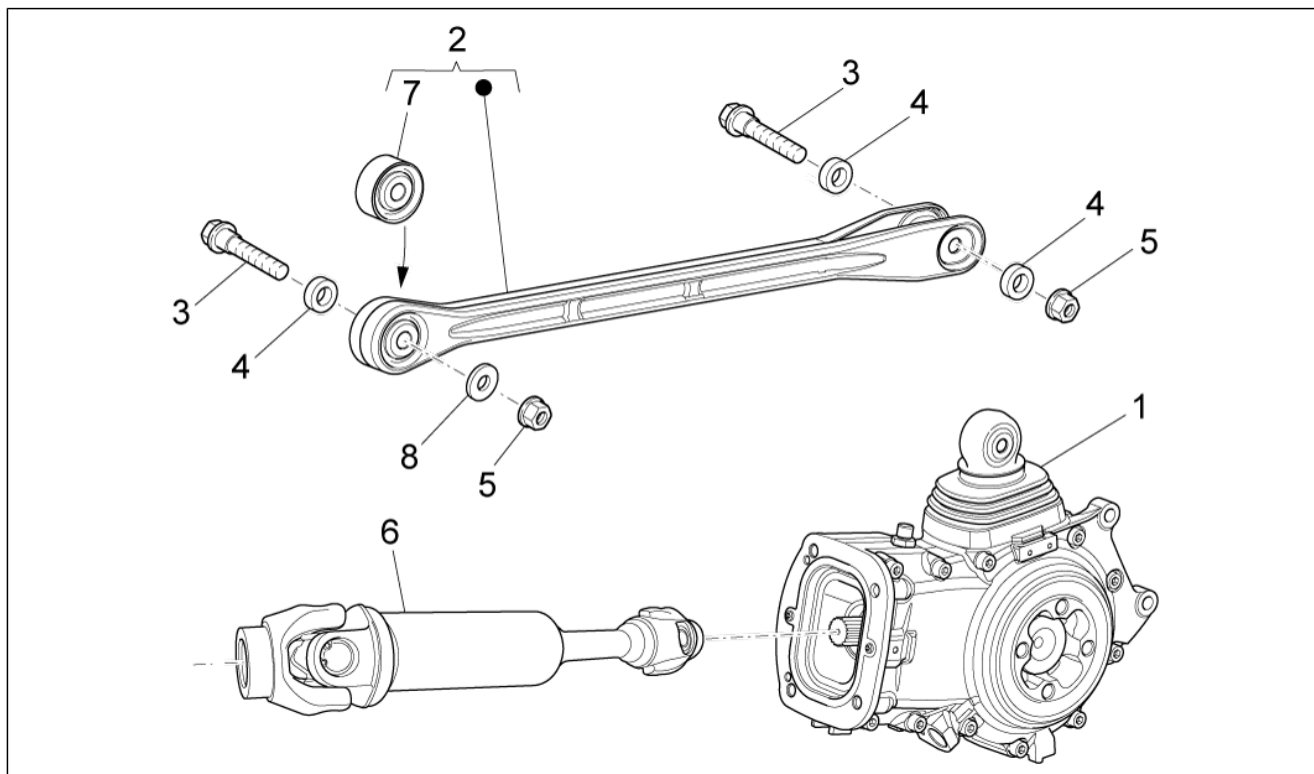
Pos.	Codice	Descrizione	Q.ta	Varianti
29	981040	Anello di fermo	2	
30	981041	Anello tenuta 50x63x11	2	
31	981042	Scodellino	2	
32	981043	Boccola	2	
33	GU05781630	Catadiottro ambra	2	Paese: Canada[CA], Stati Uniti d'America[USA]
34	883679	Gambale sinistro completo	1	

Gruppo	TELAIO
Codice	33.09
Descrizione	Forcellone
Revisione	1



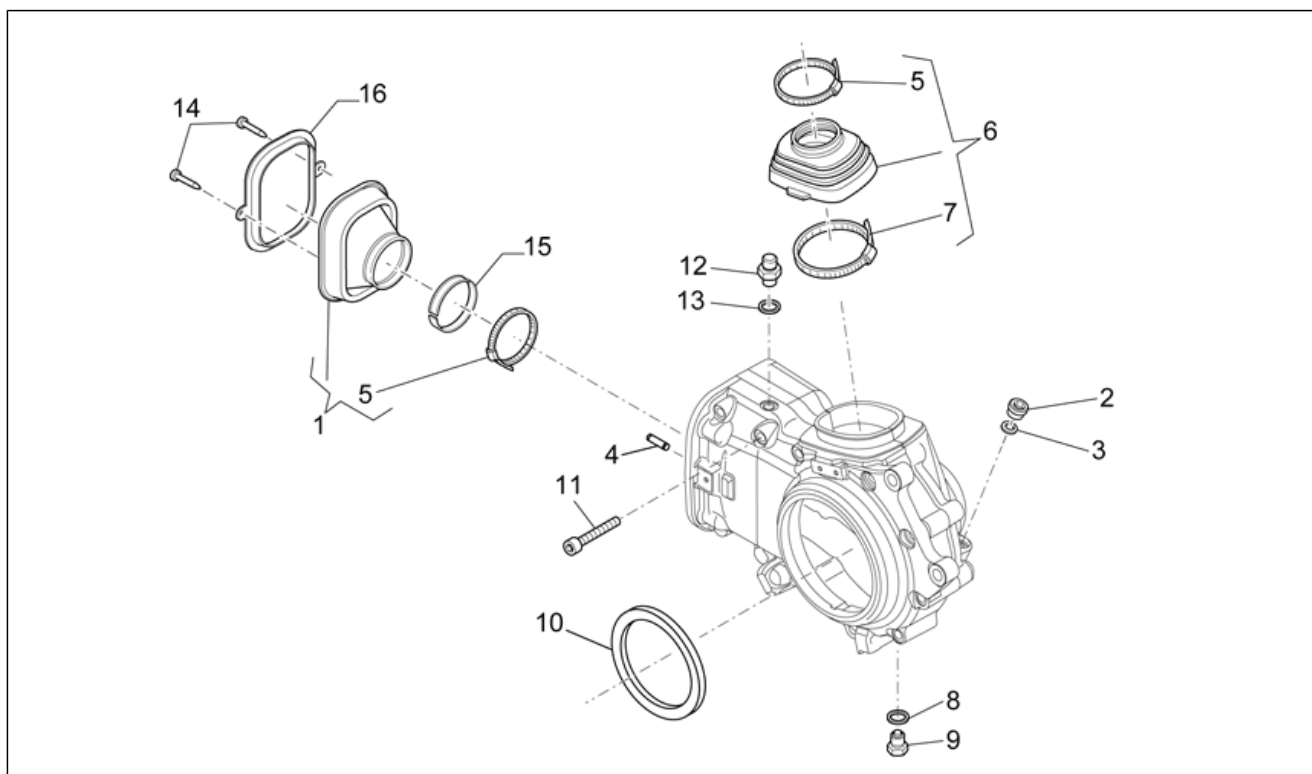
Pos.	Codice	Descrizione	Q.ta	Varianti
1	978350	Forcellone v.nero	1	
2	AP8152318	Vite TE flangiata M10x35	4	
3	GU05548030	Soffietto in gomma	1	
4	GU93304390	Fascetta 3,6x375	2	
5	GU05547130	Bussola	1	
6	GU05547030	Perno	1	
7	GU92249224	Cuscinetto a rulli 25x47x17	2	
8	GU05547930	Anello di tenuta	2	
9	GU98682325	Vite TCEI M6x25	2	

Gruppo	TELAIO
Codice	33.10
Descrizione	Trasmissione posteriore
Revisione	1



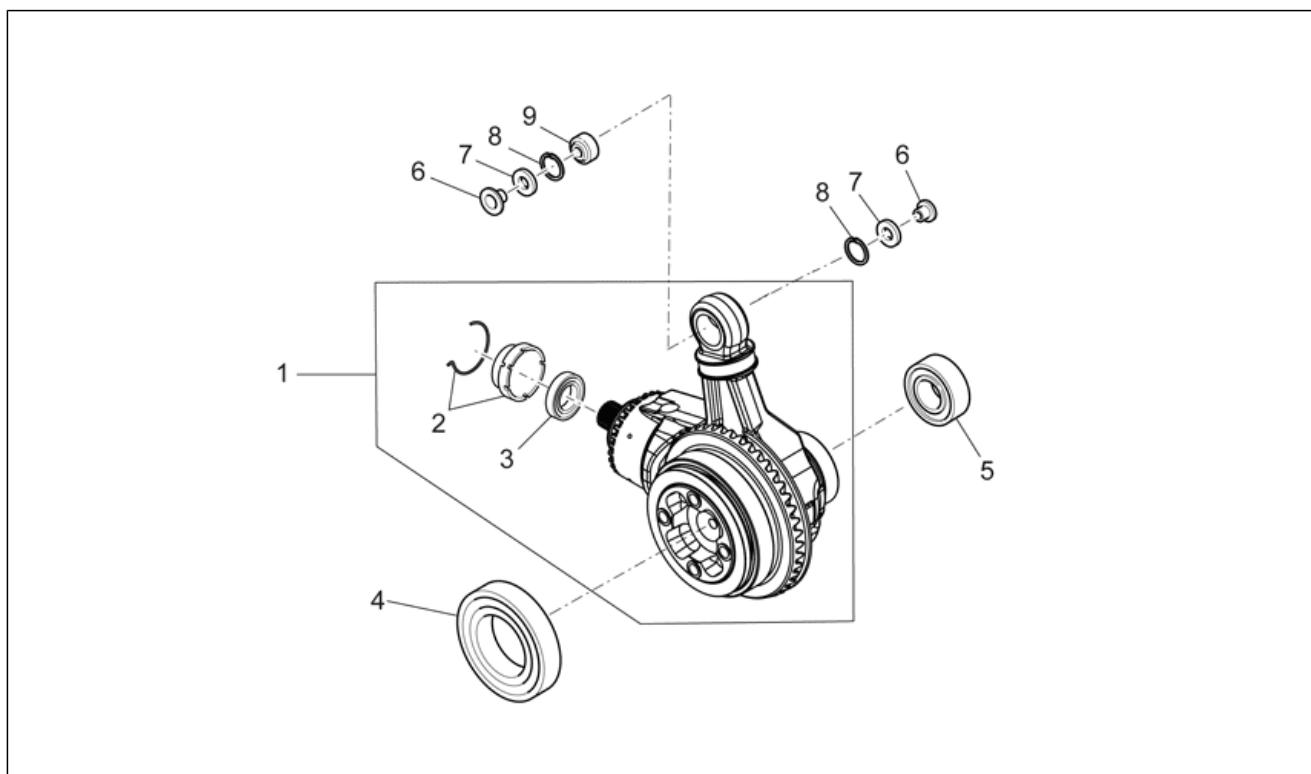
Pos.	Codice	Descrizione	Q.ta	Varianti
1	976570	Scatola trasmis.cpl.nero	1	
2	883046	Asta di reazione cpl.	1	
3	AP8152410	Vite TE flangiata M10x55	2	
4	AP8121218	Distanziale 10,2x20x4	3	
5	AP8152242	Dado	2	
6	GU05326330	Albero trasmissione	1	
7	883045	Silent block	1	
8	GU14018400	Rosetta 10,5X21X1	1	

Gruppo	TELAIO
Codice	33.11
Descrizione	Trasmissione post.-Scatola
Revisione	1



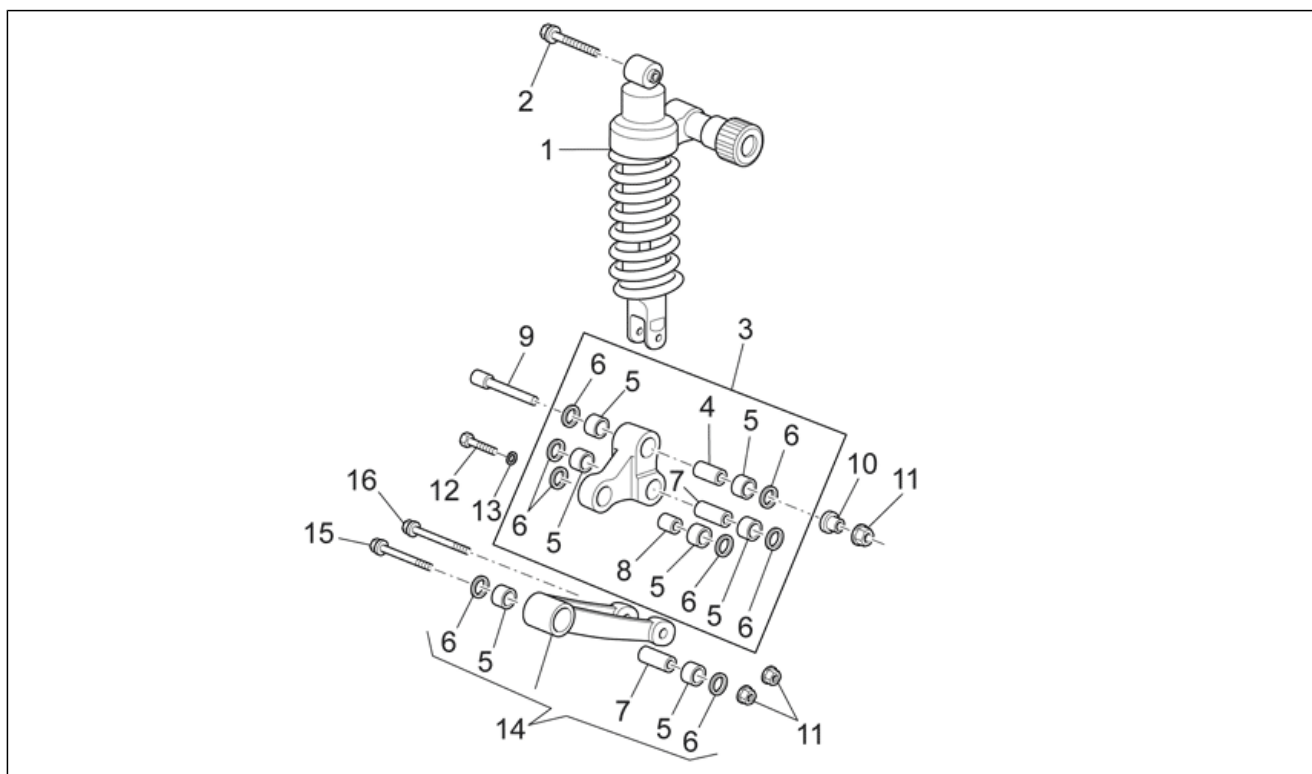
Pos.	Codice	Descrizione	Q.ta	Varianti
1	GU05358330	Cuffia copripolvere	1	
2	GU05351230	Tappo olio M12x1,5	1	
3	GU90718120	Rosetta	1	
4	GU95510620	Spina 6x20	2	
5	GU05358130	Fascetta	2	
6	GU05358030	Cuffia copripolvere	1	
7	GU05358230	Fascetta	1	
8	GU01528930	Guarnizione 10x18x1,5	1	
9	GU31003766	Tappo scarico olio M10x1	1	
10	GU90408511	Anello di tenuta 85x110x8BASL	1	
11	GU98680450	Vite TCEI M8x50	11	
12	GU05206530	Tappo sfiato	1	
13	GU01528930	Guarnizione 10x18x1,5	1	
14	GU99210406	Vite M3,9x6,5	2	
15	GU05358530	Anello	1	
16	GU05358630	Guarnizione	1	

Gruppo	TELAIO
Codice	33.12
Descrizione	Trasmis.post.-Coppia conica
Revisione	1



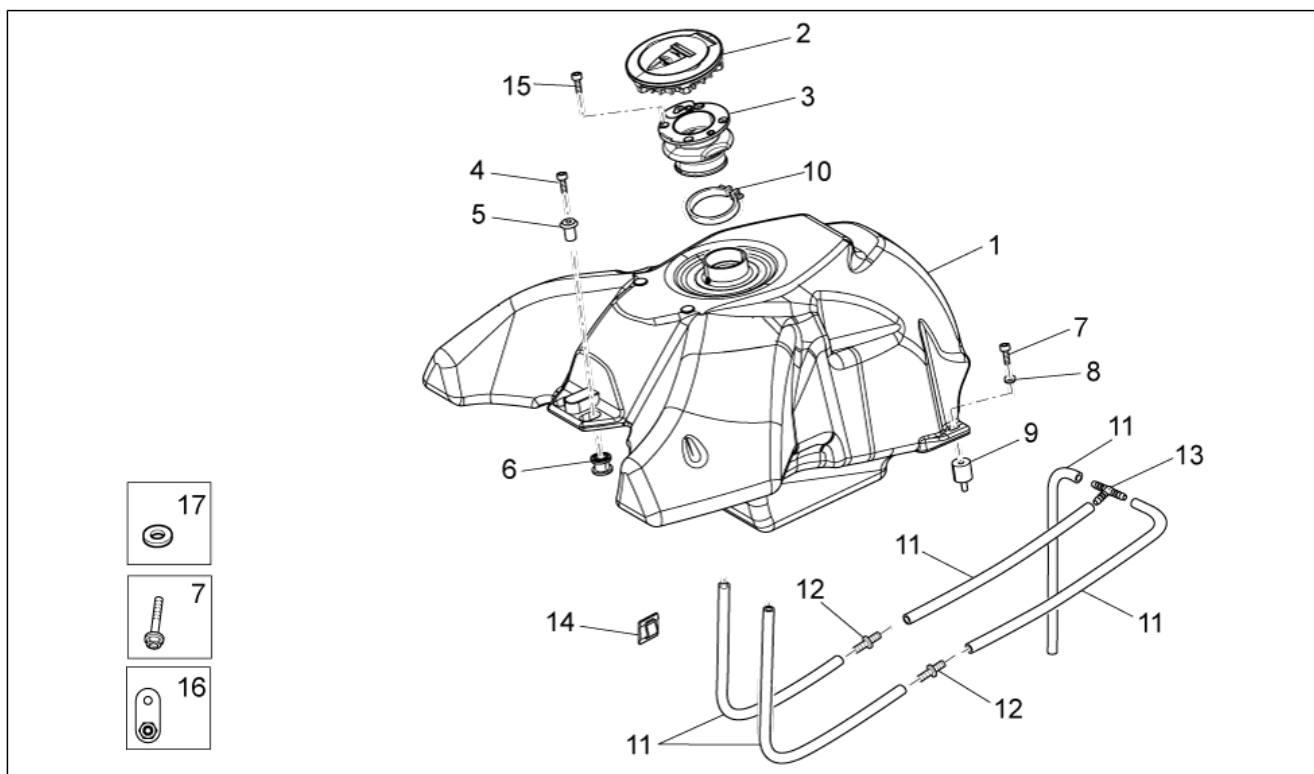
Pos.	Codice	Descrizione	Q.ta	Varianti
1	976581	Kit coppia conica 12/44	1	
2	GU05352430	Ghiera	1	
3	GU90404558	Anello di tenuta 45x58x7	1	
4	GU92208518	Cuscinetto a sfere 85x120x18	1	
5	GU92204230	Cuscinetto a sfere 30x62x16	1	
6	AP8121098	Bussola	2	
7	AP8120485	Anello di tenuta	2	
8	GU90273026	Anello Seeger	2	
9	GU05638130	Snodo sferico	1	

Gruppo	TELAIO
Codice	33.13
Descrizione	Bielletta e ammortizzatore post.
Revisione	1



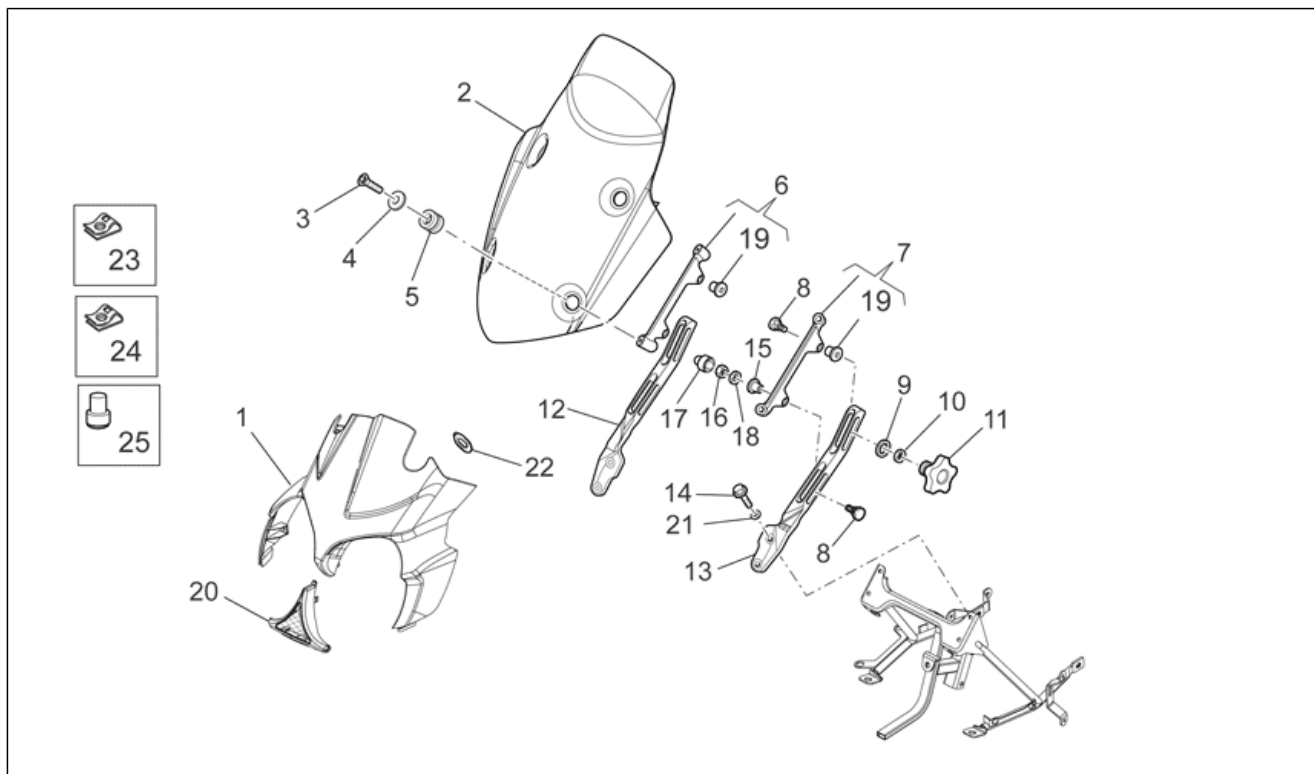
Pos.	Codice	Descrizione	Q.ta	Varianti
1	978006	Ammortizzatore	1	
2	AP8152398	Vite TE flangiata M10x80	1	
3	GU05560330	Biella doppia	1	
4	AP8135924	Spinotto biella doppia L40	1	
5	AP8110066	Astuccio a rullini	7	
6	AP8110068	Paraolio D18x24x3	8	
7	GU05562030	Spinotto biella doppia L47	2	
8	AP8135608	Spinotto biella doppia L25	1	
9	AP8152397	Vite TCEI M10x82	1	
10	AP8121155	Bussola a 'T' *	1	
11	AP8152301	Dado autobloc.flang.	3	
12	AP8152147	Vite TE M10x47	1	
13	AP8150292	Rosetta elastica curva *	1	
14	GU05562430	Biella singola cpl.	1	
15	AP8152482	Vite TE flangiata M10x85	1	
16	AP8152396	Vite TE flangiata M10x95	1	

Gruppo	TELAIO
Codice	33.14
Descrizione	Serbatoio benzina
Revisione	1



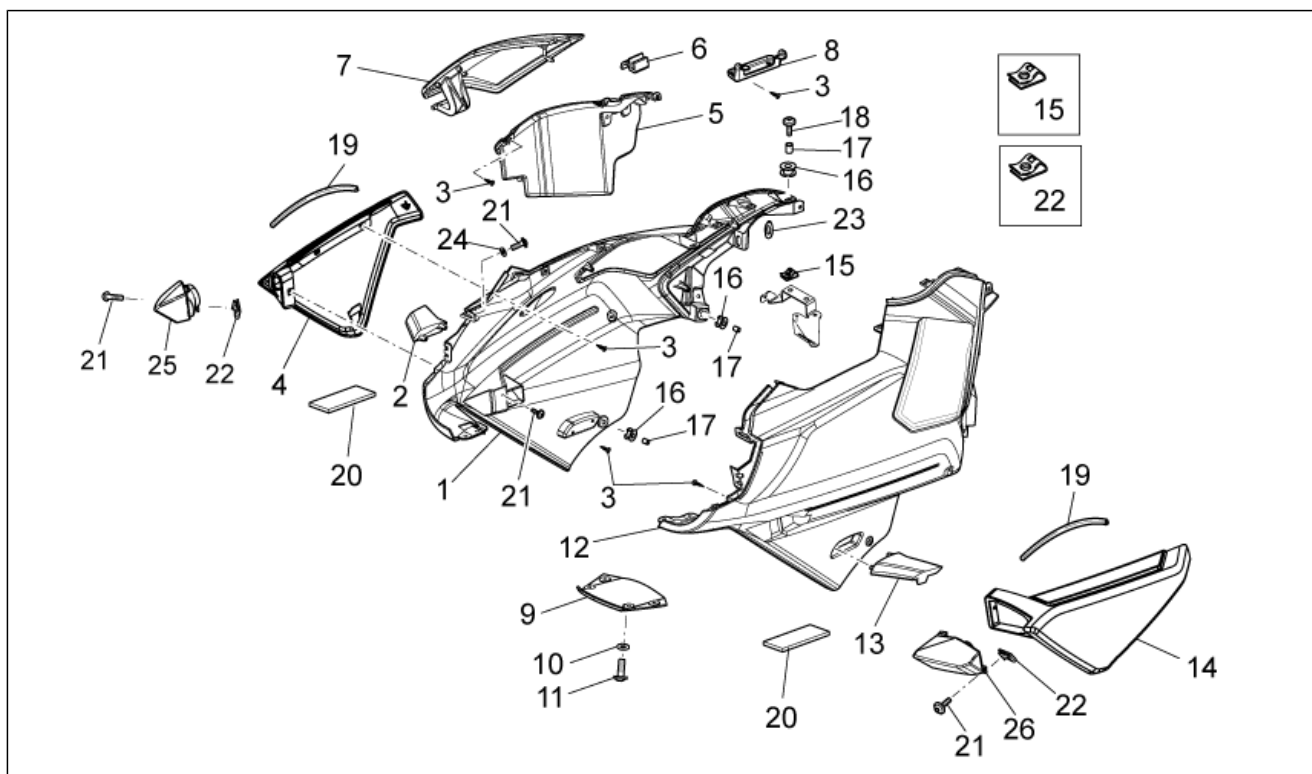
Pos.	Codice	Descrizione	Q.ta	Varianti
1	883393	Serbatoio benzina	1	Paese:Canada[CA], Stati Uniti d'America[USA]
1	978452	Serbatoio benzina	1	Paese:Australia[AUS], Altri paesi[EU], Giappone[J], Gran Bretagna[UK]
2	GU05103930	Tappo serbatoio	1	
3	978642	Soffietto	1	
4	GU98680340	Vite TCEI	2	
5	GU06107100	Bussola attacco serbatoio	2	
6	AP8144328	Gommino	2	
7	AP8152279	Vite te flang. M6x20	3	
8	GU95100141	Rosetta 6,4x12x1,2	2	
9	GU93222023	Silent-block	2	
10	GU93306020	Fascetta 33x53x8	1	
11	AP8220263	Tubo sfiato 4x8	5	
12	GU06704700	Raccordo	2	
13	AP8104666	Raccordo a tre vie	1	
14	AP8120708	Guidacavo	6	
15	GU98692216	Vite TCEI	4	
16	883791	Piastrina	1	
17	GU95100125	Rosetta	2	

Gruppo	TELAIO
Codice	33.15
Descrizione	Carrozzeria ant. - Cupolino
Revisione	1



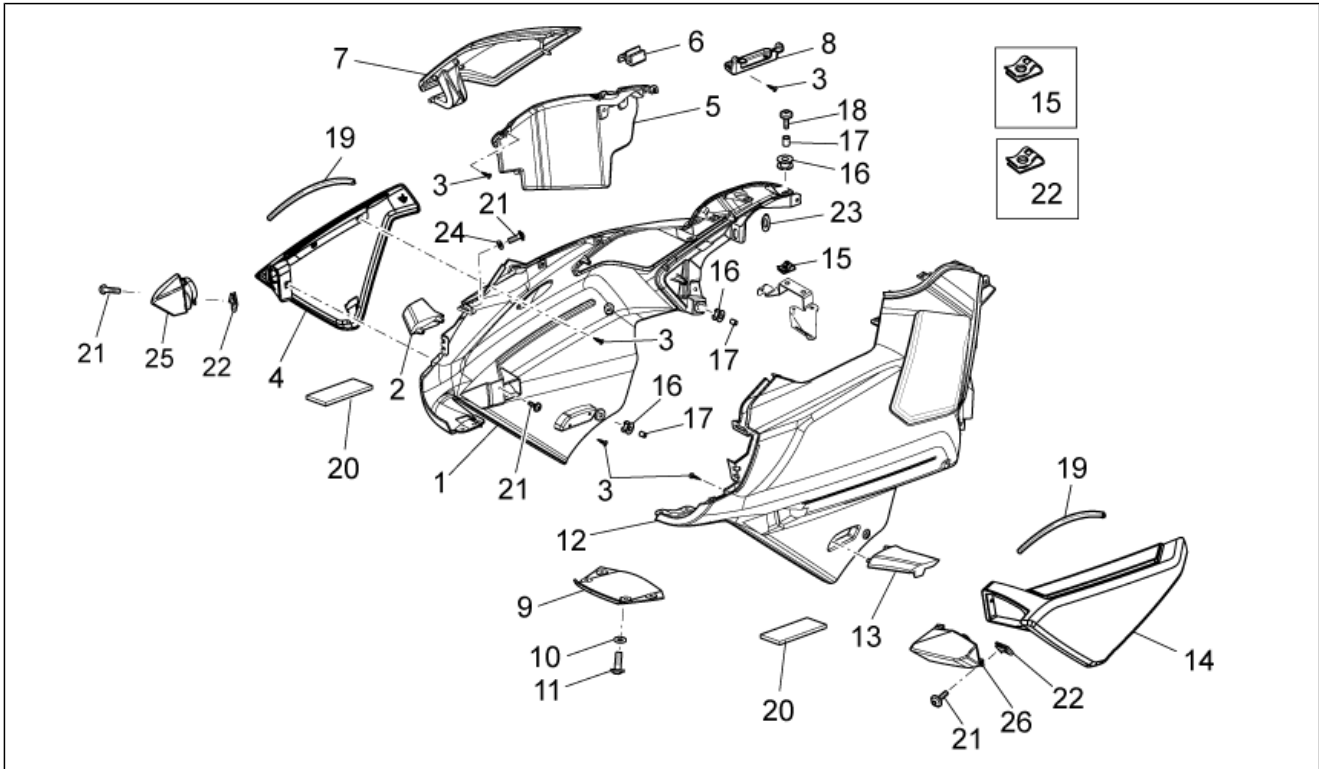
Pos.	Codice	Descrizione	Q.ta	Varianti
1	978418	Cupolino grezzo	1	
1	97841800Y11	Cupolino v.grigio	1	
2	978423	Parabrezza	1	
3	GU98257618	Vite	4	
4	269787	Rosetta speciale	4	
5	560173	Gommino	4	
6	977583	Supporto dx	1	
7	977584	Supporto sx	1	
8	977600	Vite speciale	4	
9	GU95005310	Rosetta 8,4x18x2	2	
10	GU14615901	Rosetta 8,4X13X0,8	2	
11	977681	Pomello	2	
12	977596	Staffa dx	1	
13	977597	Staffa sx	1	
14	AP8152278	Vite TE flangiata	4	
15	977698	Bussola a 'T' 8,2x10,2x11,6	2	
16	GU92640708	Dado M8	2	
17	978170	Tappo nero	2	
18	GU03270300	Rosetta 8,4x15	2	
19	977699	Bussola a 'T' 8,2x10,2x4	4	
20	883069	Cornice fanale nera	1	
21	GU14217901	Rosetta zigrinata 6,4x10x0,7	4	
22	463195	Tampone elastico	2	
23	AP8102375	Clip	2	
24	AP8102381	Clip M4	5	
25	AP8120876	Tappo di chiusura	1	

Gruppo	TELAIO
Codice	33.16
Descrizione	Carrozzeria ant. - Convogliatori
Revisione	1



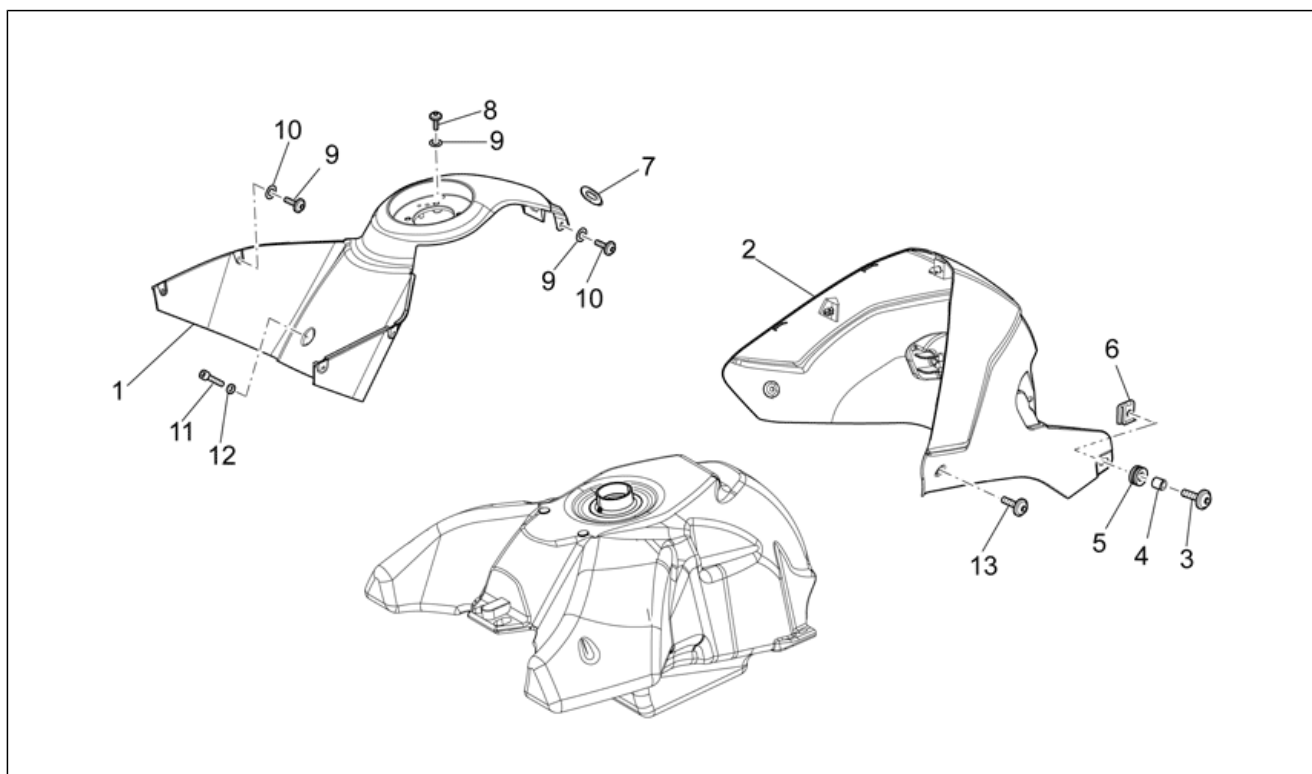
Pos.	Codice	Descrizione	Q.ta	Varianti
1	88307000BM	Carena laterale dx v.bianco	1	Colore veicolo: Bianco 2008[wh]
1	88307000Y01	Carena laterale dx v.rosso	1	Colore veicolo: Rosso Guzzi 2008[r/red]
1	88307000Y02	Carena laterale dx v.nero	1	Colore veicolo: Nero 2008[bl]
2	978687	Deflettore aria dx	1	
3	AP8150413	Vite autof. 3,9x14	10	
4	88307400Y10	Convogliatore dx Silver	1	
5	978431	Vano portaoggetti	1	
6	883140	Guarnizione	1	
7	88307800BM	Coperchio laterale dx bianco	1	Colore veicolo: Bianco 2008[wh]
7	88307800Y01	Coperchio laterale dx rosso	1	Colore veicolo: Rosso Guzzi 2008[r/red]
7	88307800Y02	Coperchio laterale dx nero	1	Colore veicolo: Nero 2008[bl]
8	978641	Lamierino	1	
9	978640	Chiusura inf.nera	1	
10	GU98710215	Vite tccce	4	
11	GU01577830	Rosetta in nylon	4	
12	88307100BM	Carena laterale sx v.bianco	1	Colore veicolo: Bianco 2008[wh]
12	88307100Y01	Carena laterale sx v.rosso	1	Colore veicolo: Rosso Guzzi 2008[r/red]
12	88307100Y02	Carena laterale sx v.nero	1	Colore veicolo: Nero 2008[bl]
13	978688	Deflettore aria sx	1	
14	88307300Y10	Convogliatore sx Silver	1	
15	AP8102375	Clip	10	
16	978152	Gommino	8	
17	GU91180600	Distanziale 6,25x8x5	8	
18	AP8152302	Vite TBEI flangiata M5x12	6	
19	GU00823931055	Guarnizione	2	
20	AP8117200	Spugna adesiva	2	
21	GU98370412	Vite TBEI M4x12	6	
22	AP8102381	Clip M4	12	

Gruppo	TELAIO
Codice	33.16
Descrizione	Carrozzeria ant. - Convogliatori
Revisione	1



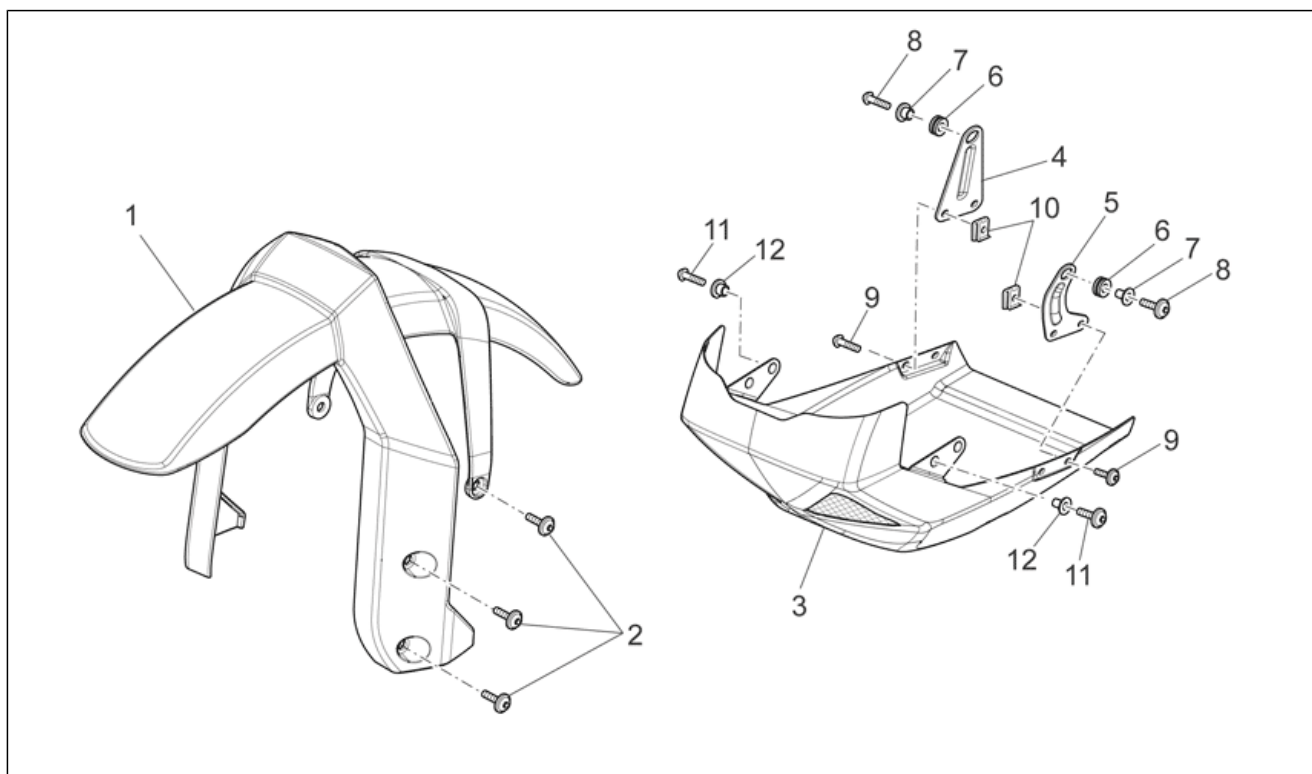
Pos.	Codice	Descrizione	Q.ta	Varianti
23	463195	Tampone elastico	2	
24	AP8144565	Rosetta in nylon	10	
25	883467	Tappo dx	1	Paese:Australia[AUS], Canada[CA], Stati Uniti d'America[USA]
26	883468	Tappo sx	1	Paese:Australia[AUS], Canada[CA], Stati Uniti d'America[USA]

Gruppo	TELAIO
Codice	33.17
Descrizione	Carrozzeria centrale
Revisione	1



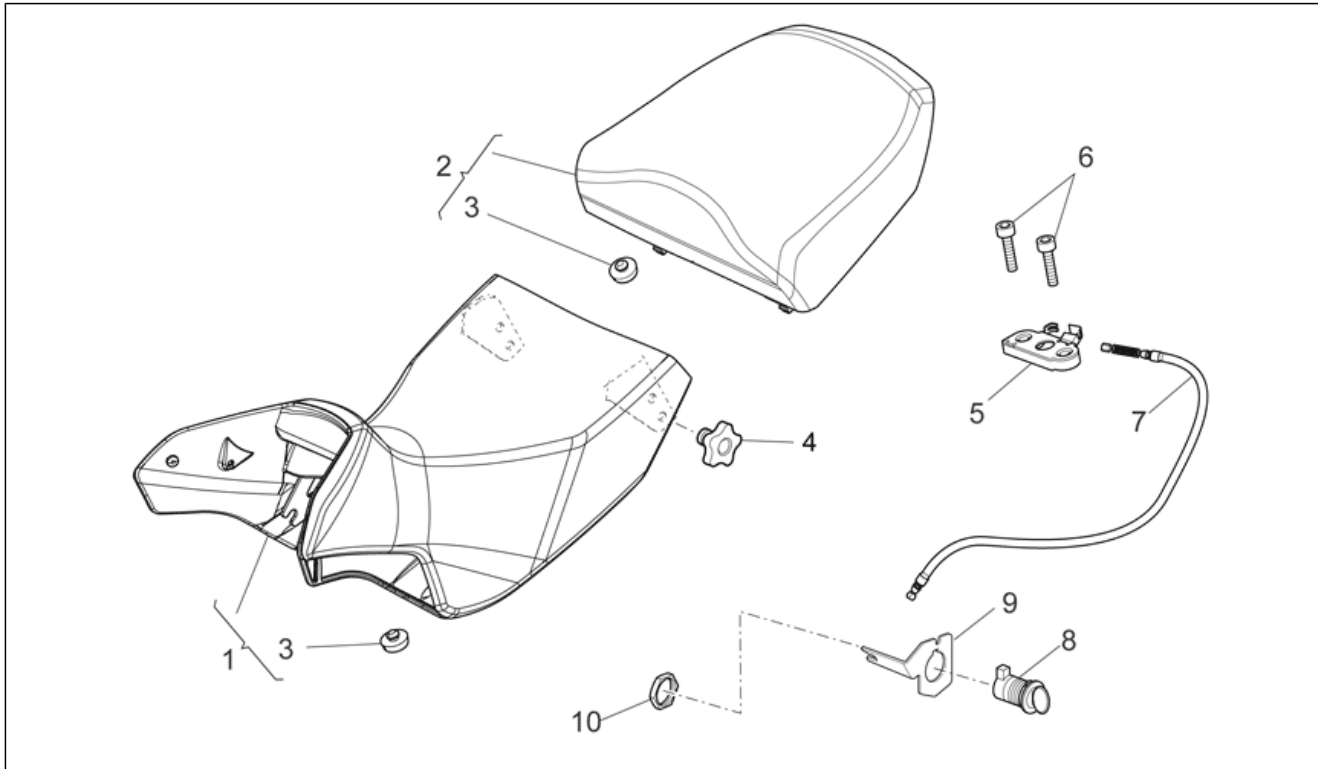
Pos.	Codice	Descrizione	Q.ta	Varianti
1	978419	Copertura tappo serb.grezzo	1	
1	97841900BM	Copertura tappo serb.bianco	1	Colore veicolo: Bianco 2008[wh]
1	97841900Y01	Copertura tappo serb.rosso	1	Colore veicolo: Rosso Guzzi 2008[r/red]
1	97841900Y02	Copertura tappo serb.nero	1	Colore veicolo: Nero 2008[bl]
2	97863400Y11	Copertura serb.grigio	1	
3	AP8152302	Vite TBEI flangiata M5x12	2	
4	GU91180600	Distanziale 6,25x8x5	2	
5	978152	Gommino	2	
6	AP8102375	Clip	2	
7	463195	Tampone elastico	1	
8	AP8150493	Vite TBEI M4x16	4	
9	AP8144565	Rosetta in nylon	10	
10	GU98370412	Vite TBEI M4x12	6	
11	GU98682212	Vite TCEI	1	
12	GU95008205	Rosetta 5,3x10x0,8	1	
13	AP8152339	Vite TBEI flangiata M5x9	4	

Gruppo	TELAIO
Codice	33.18
Descrizione	Parafango ant.-Puntale carena
Revisione	1



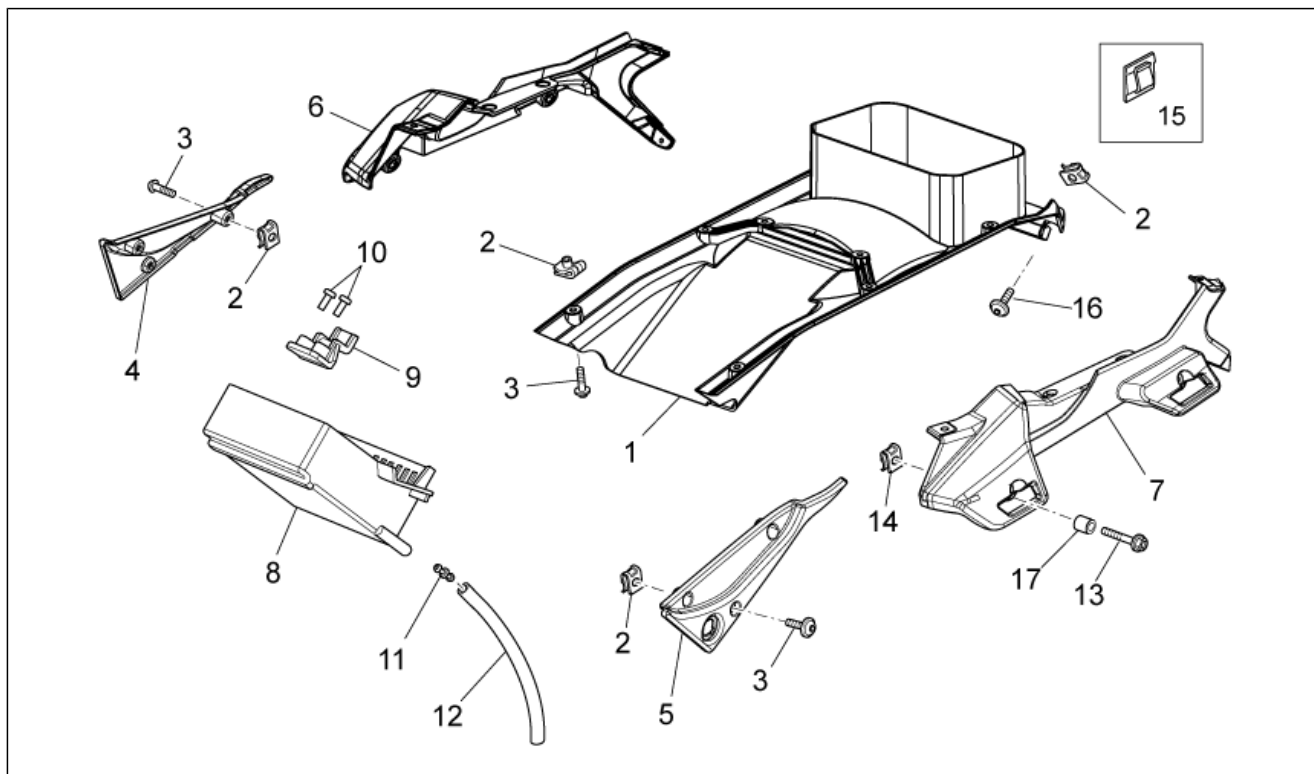
Pos.	Codice	Descrizione	Q.ta	Varianti
1	978445	Parafango ant.grezzo	1	
1	97844500BM	Parafango ant.bianco/grigio	1	Colore veicolo:Bianco 2008[wh]
1	97844500Y01	Parafango ant.rosso/grigio	1	Colore veicolo:Rosso Guzzi 2008[r/red]
1	97844500Y02	Parafango ant.nero/grigio	1	Colore veicolo:Nero 2008[bl]
2	AP8152339	Vite TBEI flangiata M5x9	6	
3	97885300Y10	Puntale carena grigio	1	
4	978777	Staffa dx	1	
5	978776	Staffa sx	1	
6	GU91551010	Gommino	2	
7	AP8221128	Bussola a 'T' 8,5x10,7x12	2	
8	GU98350425	Vite TBEI	2	
9	AP8152339	Vite TBEI flangiata M5x9	4	
10	AP8102375	Clip	4	
11	GU98350416	Vite TBEI	4	
12	AP8121098	Bussola	4	

Gruppo	TELAIO
Codice	33.19
Descrizione	Sella
Revisione	1



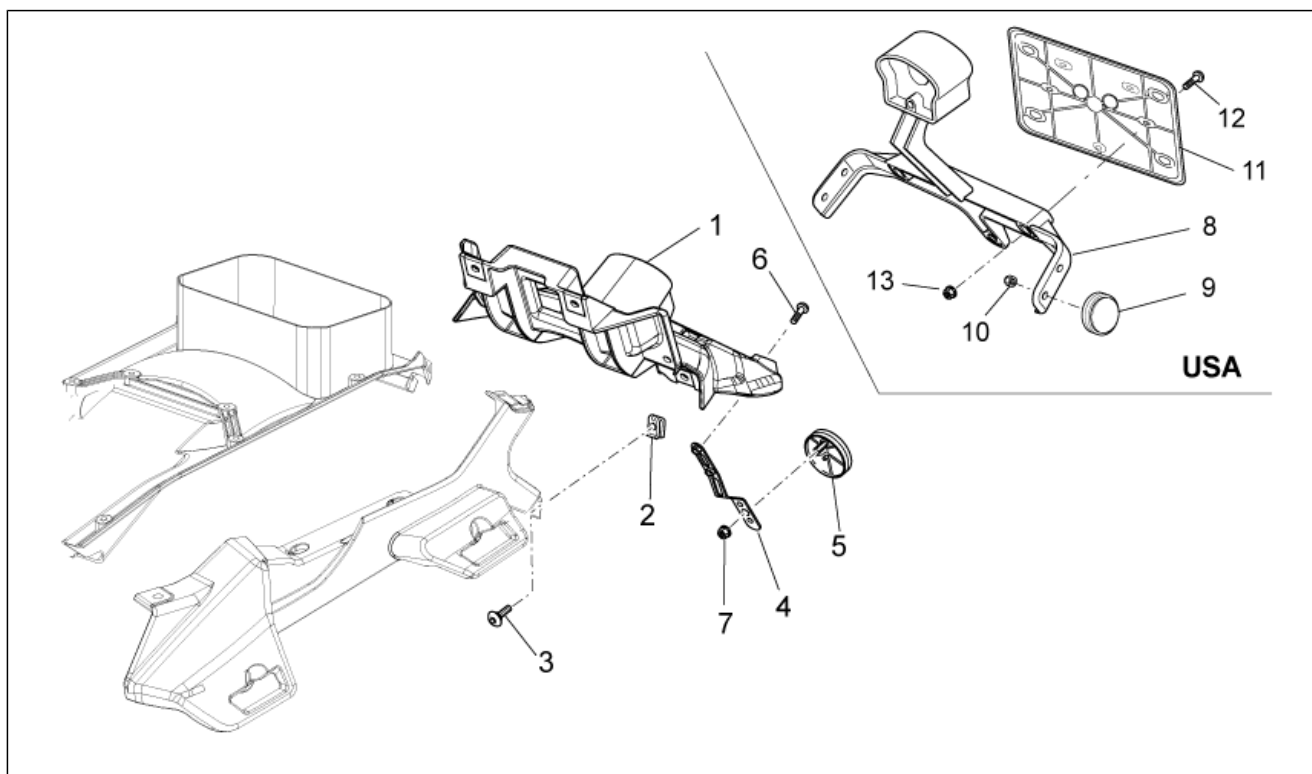
Pos.	Codice	Descrizione	Q.ta	Varianti
1	978453	Sella pilota	1	
2	978454	Sella pass.	1	
3	GU32461610	Gommino	9	
4	883054	Pomello	2	
5	AP8102913	Piastra attacco sella pass.	1	
6	GU98370625	Vite TBEI	2	
7	883048	Cavo serratura sella	1	
8	GU05466830	Serratura sella	1	
9	AP8134948	Piastrina	1	
10	AP8102523	Dado serratura	1	

Gruppo	TELAIO
Codice	33.20
Descrizione	Carr. Post.l
Revisione	1



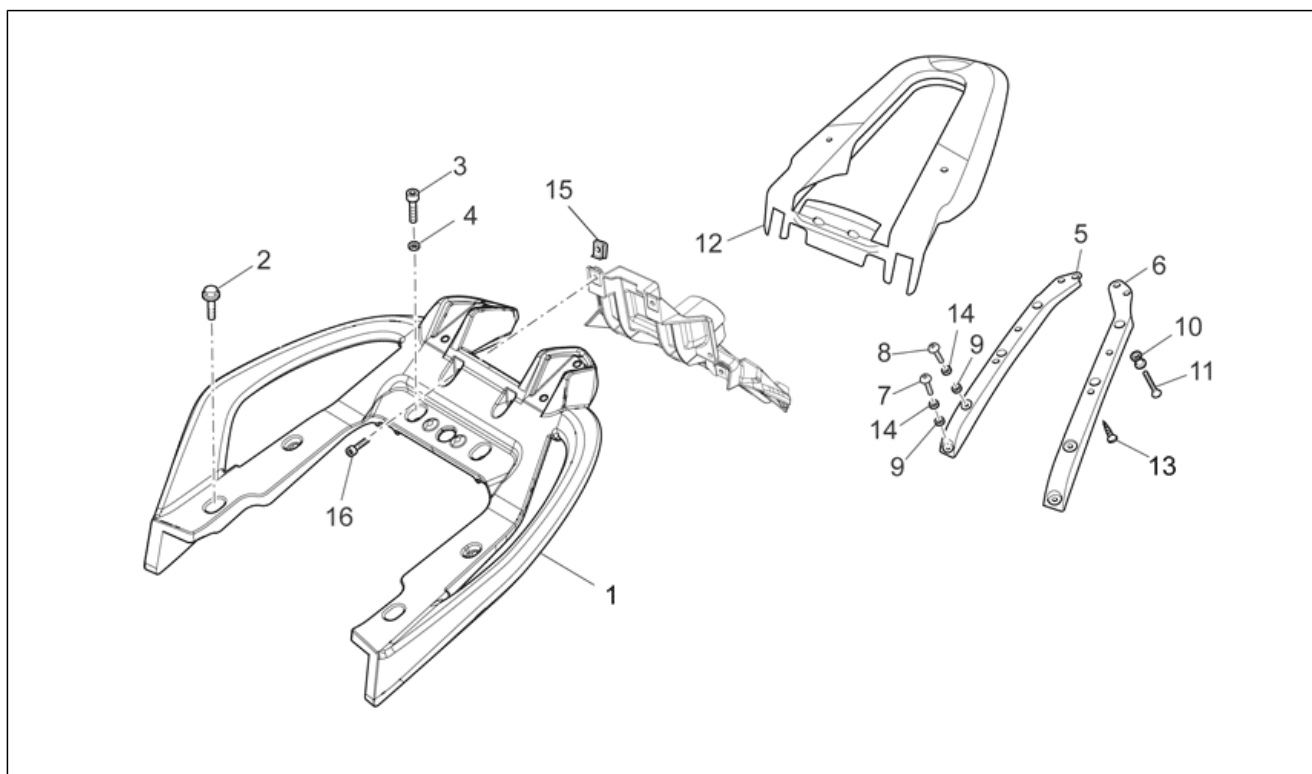
Pos.	Codice	Descrizione	Q.ta	Varianti
1	978446	Paraspruzzi	1	
2	AP8102375	Clip	12	
3	AP8152339	Vite TBEI flangiata M5x9	10	
4	883024	Fianchetto dx	1	
5	883023	Fianchetto Sx	1	
6	97863800Y10	Supporto valigia dx	1	
7	97863900Y10	Supporto valigia sx	1	
8	883100	Scatola portabatteria	1	
9	GU06418600	Piastra fissaggio batteria	1	
10	AP8150377	Vite	2	
11	GU06704700	Raccordo	1	
12	AP8220263	Tubo sfiato 4x8	1	
13	AP8152280	Vite te flang. M6x25	4	Specifiche Tecniche:Seconda serie[2A]
13	AP8152287	Vite TE flangiata	4	Specifiche Tecniche:Prima serie[1A]
14	GU01576530	Dado a graffetta M8x1,25	4	Specifiche Tecniche:Prima serie[1A]
14	GU28576591	Clip M6	4	Specifiche Tecniche:Seconda serie[2A]
15	AP8120708	Guidacavo	1	
16	GU98710215	Vite tcce	2	
17	883177	Boccola 6,2x10x10,7	4	Specifiche Tecniche:Seconda serie[2A]

Gruppo	TELAIO
Codice	33.21
Descrizione	Carr. Post.II
Revisione	1



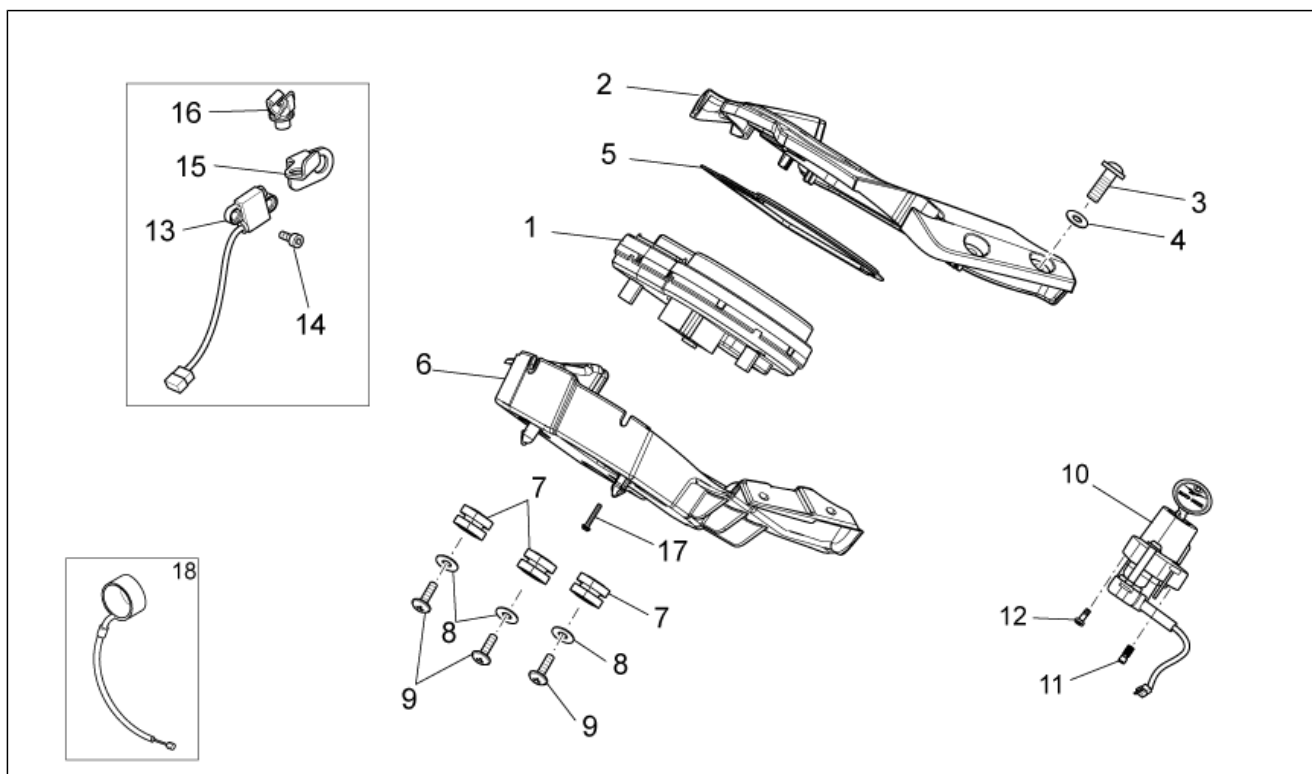
Pos.	Codice	Descrizione	Q.ta	Varianti
1	978425	Portatarga	1	
2	AP8102375	Clip	2	
3	AP8152302	Vite TBEI flangiata M5x12	2	
4	AP8134448	Supporto catadiottro	1	
5	AP8224164	Catadiottro rosso	1	
6	AP8152268	Vite TBEI speciale	2	
7	AP8152306	Dado autobloc.flang.	1	
8	883214	Supporto catadiottro post.	1	Paese:Canada[CA], Stati Uniti d'America[USA]
9	AP8224164	Catadiottro rosso	2	Paese:Canada[CA], Stati Uniti d'America[USA]
10	AP8152306	Dado autobloc.flang.	2	Paese:Canada[CA], Stati Uniti d'America[USA]
11	AP8149034	Supporto targa	1	Paese:Canada[CA], Stati Uniti d'America[USA]
12	GU98223530	Vite	2	Paese:Canada[CA], Stati Uniti d'America[USA]
13	GU92650035	Dado flangiato	2	Paese:Canada[CA], Stati Uniti d'America[USA]

Gruppo	TELAIO
Codice	33.22
Descrizione	Maniglione - Portapacchi
Revisione	1



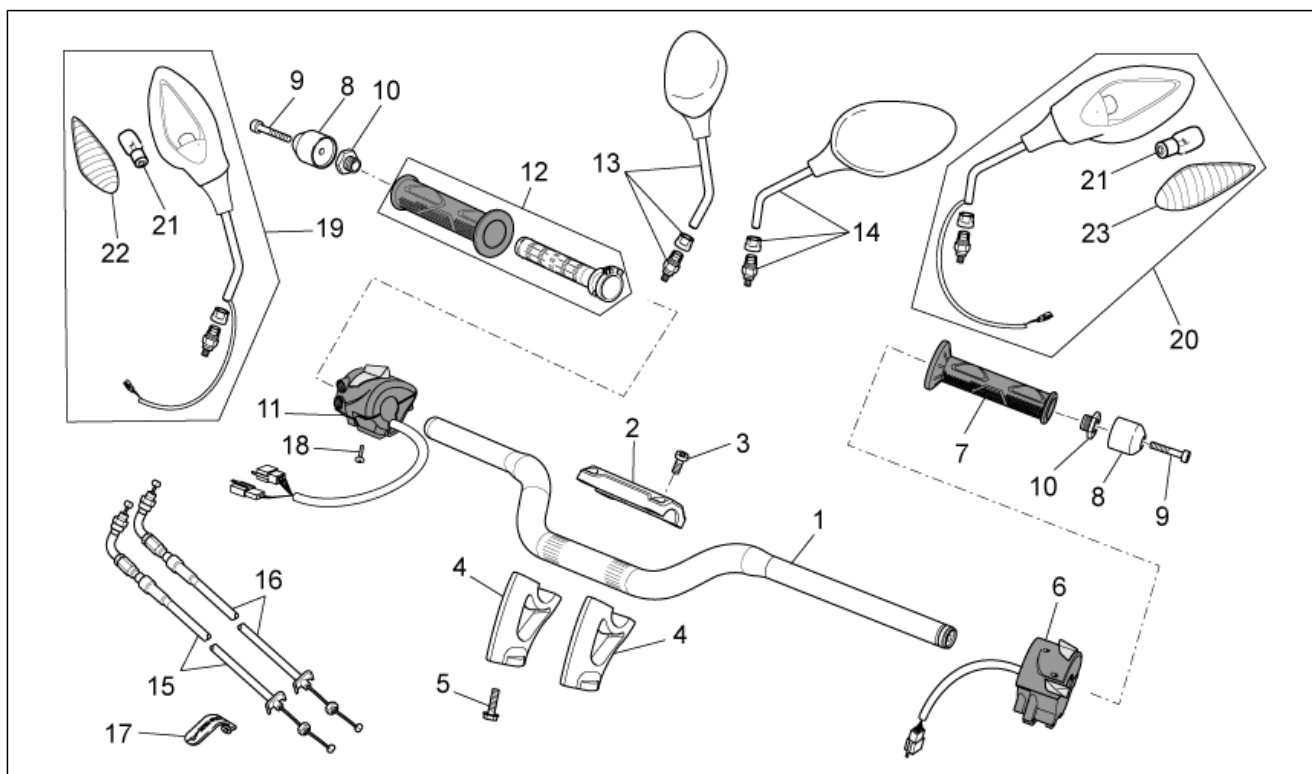
Pos.	Codice	Descrizione	Q.ta	Varianti
1	97843900Y10	Maniglione pass.	1	
2	AP8152280	Vite te flang. M6x25	4	
3	GU98682416	Vite TCEI	2	
4	GU14615901	Rosetta 8,4X13X0,8	2	
5	GU05466630	Supporto portapacchi dx	1	
6	GU05466631	Supporto portapacchi sx	1	
7	GU98230820	Vite TBEI M8x20	2	
8	GU98350430	Vite TBEI M8x30	2	
9	AP8152154	Rosetta 8,4x13*	4	
10	AP8121890	Bussola cavalletto post.	2	
11	GU98250635	Vite TSPEI M6x35	2	
12	883047	Coperchio portapacchi	1	
13	AP8150509	Vite autof. 5x14	4	
14	GU03013800	Rosetta 6,4x12	4	
15	AP8102375	Clip	2	
16	GU98710215	Vite tccce	2	

Gruppo	TELAIO
Codice	33.23
Descrizione	Cruscotto
Revisione	1



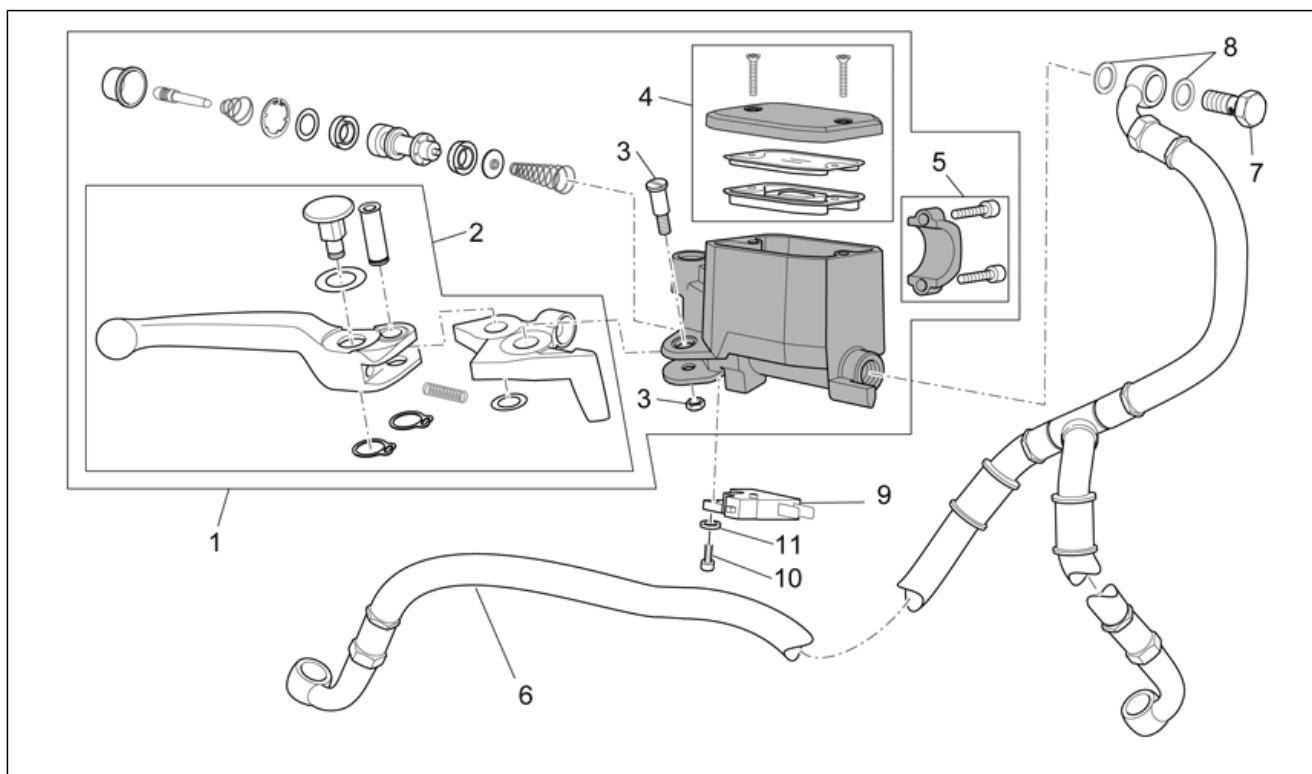
Pos.	Codice	Descrizione	Q.ta	Varianti
1	978205	Cruscotto cpl.	1	
2	97842400Y11	Cornice strumenti	1	
3	GU98710215	Vite tccce	4	
4	GU01577830	Rosetta in nylon	4	
5	978449	Guarnizione	1	
6	978633	Supporto cruscotto	1	
7	AP8220150	Gommino *	3	
8	AP8150255	Rosetta 5x20x1,5	3	
9	AP8150509	Vite autof. 5x14	3	
10	GU05782530	Blocchetto avviamento-blocc.	1	
11	AP8152238	Vite a strappo	1	
12	GU98682430	Vite TCEI M8x30	1	
13	GU06765400	Sensore tachimetro cpl.	1	
14	AP8152043	Vite TCEI M4x10	2	
15	GU06765500	Passacavo	1	
16	AP8121882	Guidacavo	1	
17	AP8150413	Vite autof. 3,9x14	2	
18	981087	Antenna immobilizer	1	

Gruppo	TELAIO
Codice	33.24
Descrizione	Manubrio - Comandi
Revisione	1



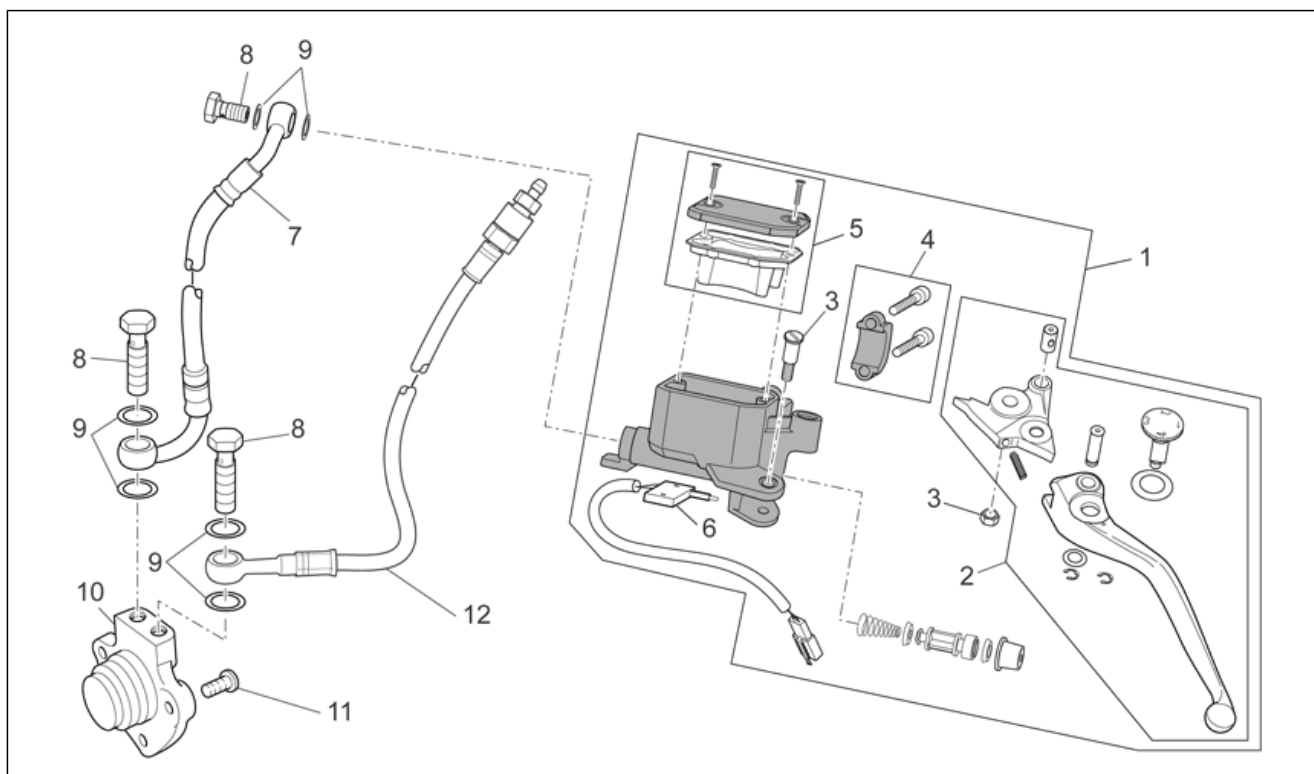
Pos.	Codice	Descrizione	Q.ta	Varianti
1	978040	Manubrio	1	
2	978821	Cavallotto sup.	1	
3	GU98700430	Vite tcc M8x30	4	
4	978042	Cavallotto inf.	2	
5	AP8152325	Vite TE flangiata	2	
6	859810	Devioluci sx	1	
7	AP8118579	Manopola sx	1	
8	AP8104509	Peso antivibrante v.nero	2	
9	GU98680340	Vite TCEI	2	
10	AP8121520	Terminale peso antivibrante	2	
11	978558	Dispositivo engine stop-start	1	
12	GU01603480	Manopola dx	1	
13	AP8104921	Specchio retrovisore DX	1	Paese:Altri paesi[EU], Giappone[J], Gran Bretagna[UK]
14	AP8104922	Specchio retrovisore SX	1	Paese:Altri paesi[EU], Giappone[J], Gran Bretagna[UK]
15	883001	Cavo apertura gas	1	
16	883002	Cavo chiusura gas	1	
17	GU01609630	Fascetta L46 mm	4	
18	978059	Vite autof.	1	
19	883460	Specchio retrovisore DX	1	Paese:Australia[AUS], Canada[CA], Stati Uniti d'America[USA]
20	883461	Specchio retrovisore SX	1	Paese:Australia[AUS], Canada[CA], Stati Uniti d'America[USA]
21	981101	Lampada 12V-15W	2	Paese:Australia[AUS], Canada[CA], Stati Uniti d'America[USA]
22	981099	Vetro indicatore dire.dx	1	Paese:Australia[AUS], Canada[CA], Stati Uniti d'America[USA]
23	981100	Vetro indicatore dire.	1	Paese:Australia[AUS], Canada[CA], Stati Uniti d'America[USA]

Gruppo	TELAIO
Codice	33.25
Descrizione	Pompa freno ant.
Revisione	1



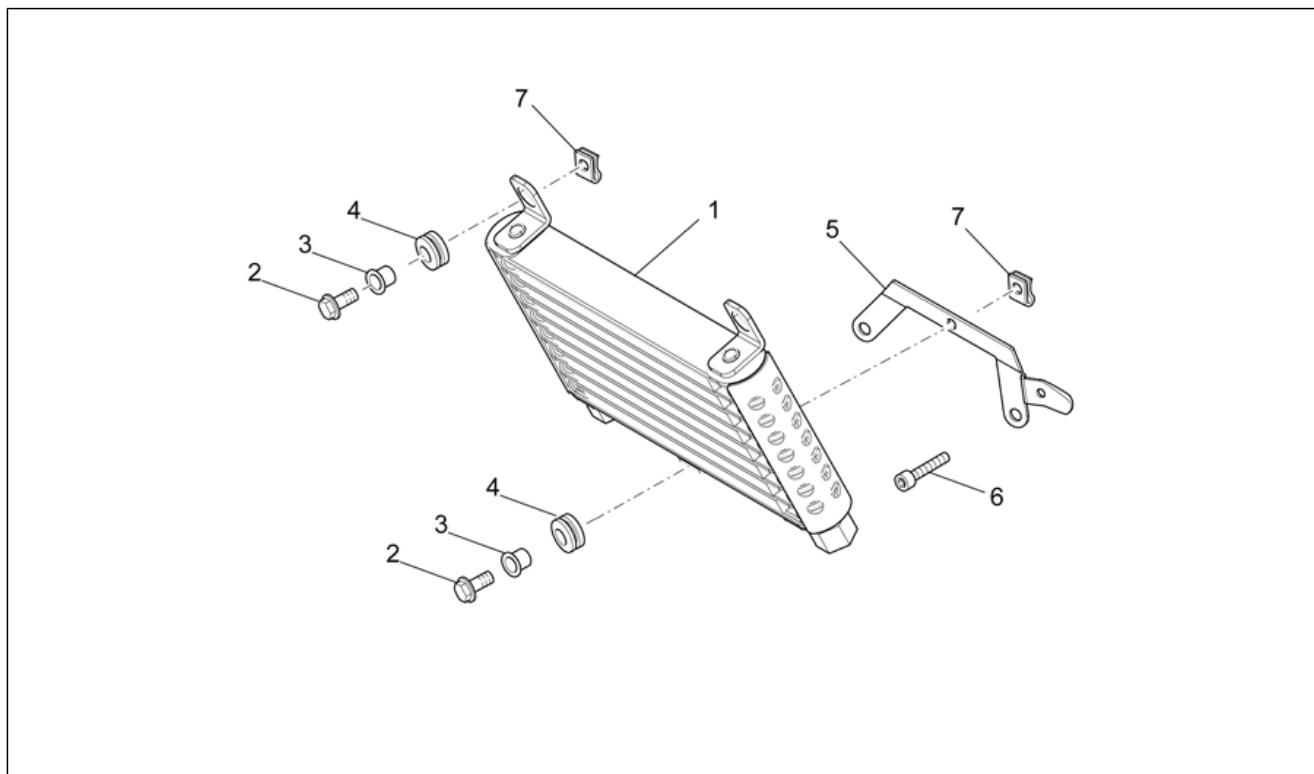
Pos.	Codice	Descrizione	Q.ta	Varianti
1	978606	Pompa freno ant.	1	
2	981050	Leva freno ant.	1	
3	AP8113995	Perno leva	1	
4	GU05661130	Tappo serbatoio	1	
5	AP8113993	Cavalotto	1	
6	978784	Tubo freno ant.	1	
7	AP8133962	Vite tubo olio *	1	
8	GU25656100	Guarnizione in alluminio	2	
9	GU03749845	Interruttore stop	1	
10	GU98370412	Vite TBEI M4x12	1	
11	GU95021104	Rosetta 4,3x8x1,5	1	

Gruppo	TELAIO
Codice	33.26
Descrizione	Comando frizione cpl.
Revisione	1



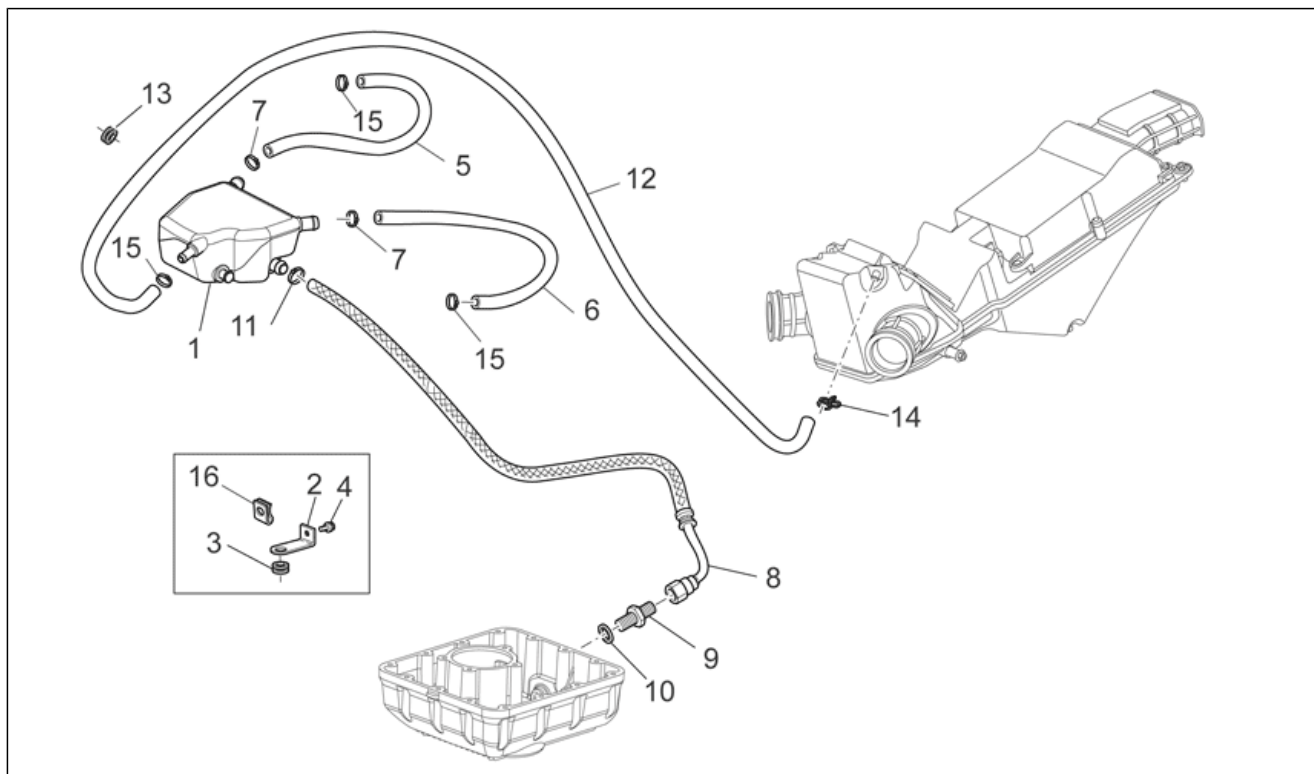
Pos.	Codice	Descrizione	Q.ta	Varianti
1	978607	Pompa frizione	1	
2	981046	Leva frizione	1	
3	GU03604845	Perno leva	1	
4	AP8113996	Cavallotto	1	
5	AP8113997	Tappo serbatoio	1	
6	AP8113998	Microinterruttore	1	
7	978911	Tubo frizione	1	
8	AP8133594	Vite tubo olio	3	
9	AP8121915	Guarnizione	6	
10	978739	Cilindro comando frizione	1	
11	AP8152278	Vite TE flangiata	3	
12	GU05606630	Tubo spurgo frizione	1	

Gruppo	TELAIO
Codice	33.27
Descrizione	Radiatore olio
Revisione	1



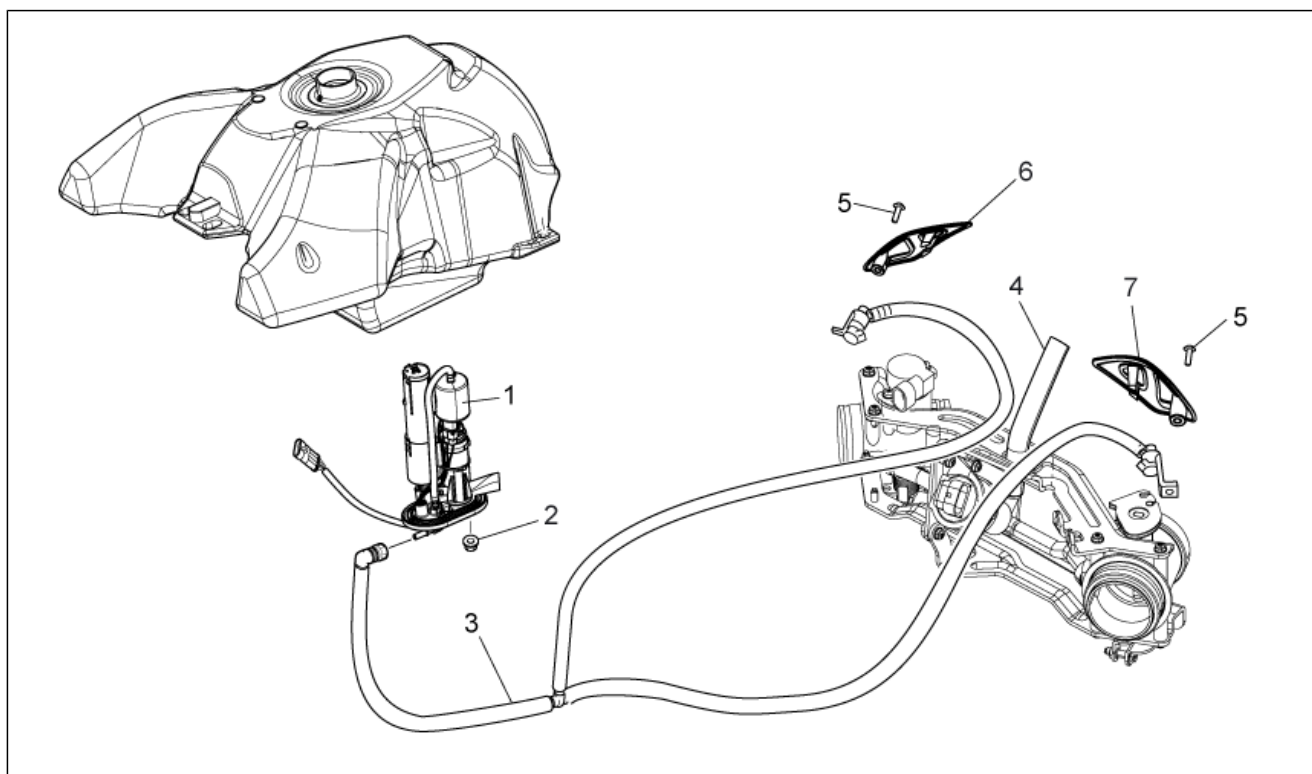
Pos.	Codice	Descrizione	Q.ta	Varianti
1	978579	Radiatore olio cpl.	1	
2	AP8152280	Vite te flang. M6x25	3	
3	AP8221023	Bussola a "T" *	3	
4	AP8120030	Gommino *	3	
5	978846	Supporto radiatore	1	
6	GU98680340	Vite TCEI	2	
7	GU28576591	Clip M6	1	

Gruppo	TELAIO
Codice	33.28
Descrizione	Impianto Blow-by
Revisione	1



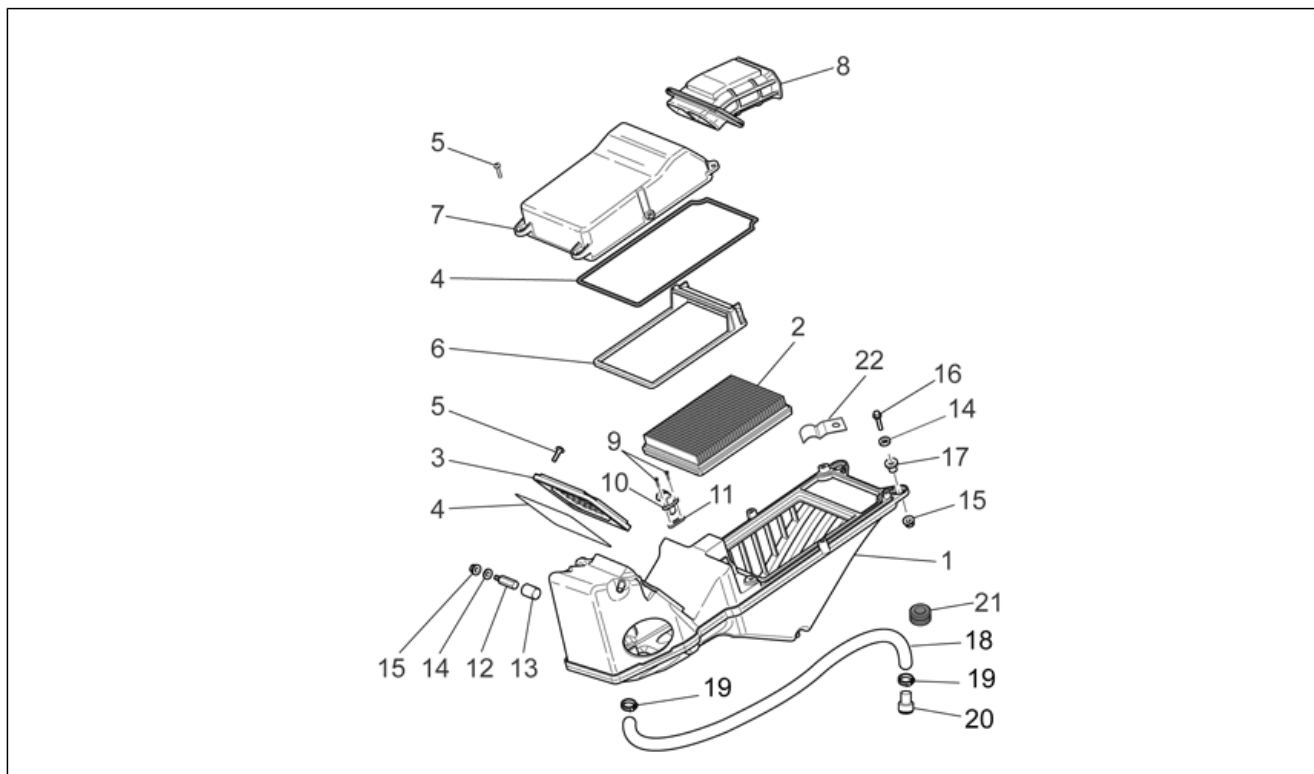
Pos.	Codice	Descrizione	Q.ta	Varianti
1	978047	Scatola espansione	1	
2	GU06412300	Piastrina	1	
3	AP8120030	Gommino *	1	
4	AP8152278	Vite TE flangiata	1	
5	883034	Tubo dx	1	
6	883035	Tubo sx	1	
7	GU93306017	Fascetta	4	
8	883036	Tubo riciclo	1	
9	GU01161331	Riduzione	1	
10	GU01154230	Guarnizione in alluminio	1	
11	AP8102765	Fascetta clic bianca D.13,5x6	1	
12	GU00823955080	Tubo sfiato	1	
13	AP8220162	Gommino	1	
14	AP8102520	Fascetta stringitubo	1	
15	AP8102765	Fascetta clic bianca D.13,5x6	3	
16	GU28576591	Clip M6	1	

Gruppo	TELAIO
Codice	33.29
Descrizione	Alimentazione
Revisione	1



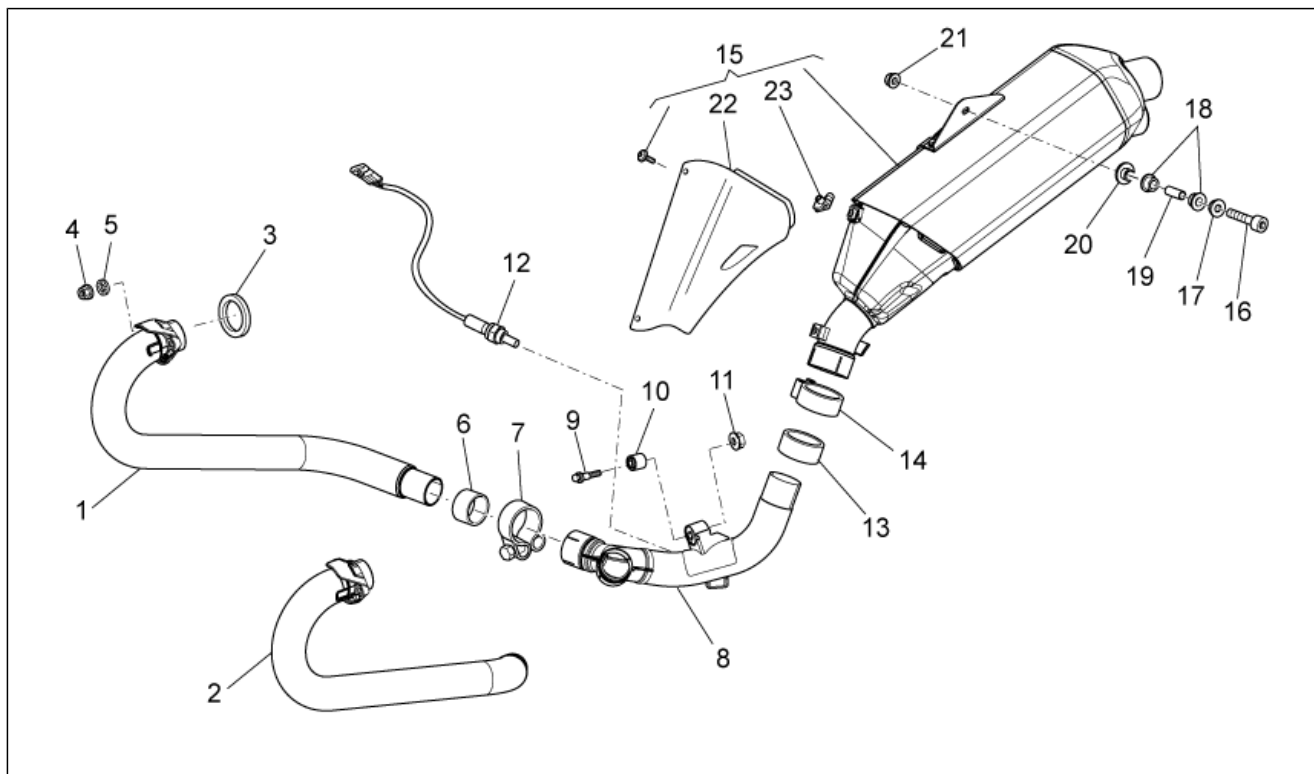
Pos.	Codice	Descrizione	Q.ta	Varianti
1	978138	Pompa benz.cpl.	1	
2	AP8152306	Dado autobloc.flang.	6	
3	883043	Tubo benz.cpl	1	
4	GU05135930	Tubo	1	
5	GU98680222	Vite TCEI	2	
6	883092	Protezione dx	1	
7	883093	Protezione sx	1	

Gruppo	TELAIO
Codice	33.30
Descrizione	Cassa filtro
Revisione	1



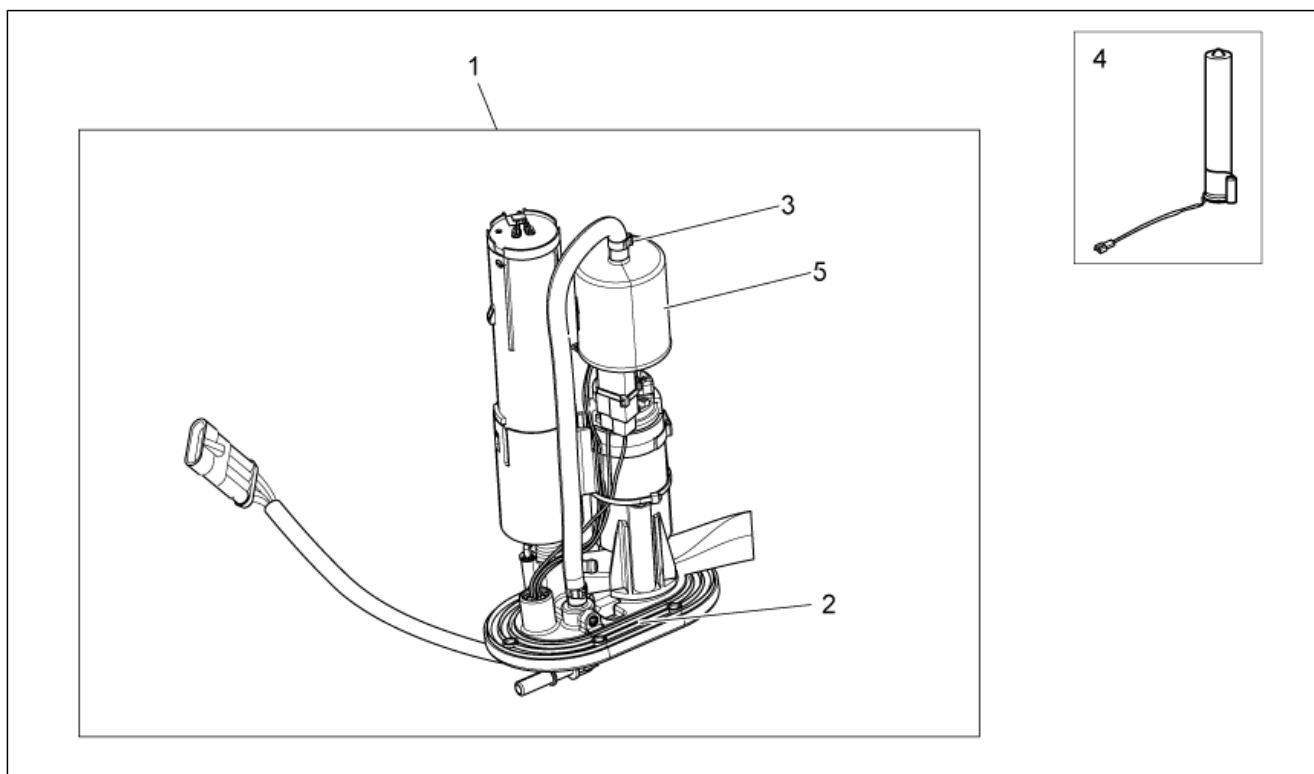
Pos.	Codice	Descrizione	Q.ta	Varianti
1	GU06114000	Cassa filtro	1	
2	AP8104329	Filtro aria	1	
3	GU06113300	Coperchio ispezione	1	
4	AP8120593	Guarnizione D4	1	
5	AP8152329	Vite SWP t.croce flang. M5x20	10	
6	GU06114200	Paratia	1	
7	GU06113700	Coperchio	1	
8	AP8144164	Manicotto di aspirazione	1	
9	AP8150421	Vite autof. 2,9x12	2	
10	GU30729330	Sensore temperatura aria	1	
11	GU30027931	Guarnizione	1	
12	883097	Perno sost.cassa filtro	2	
13	AP8220526	Gommino	2	
14	GU95008206	Rosetta 6,15x11x0,8	2	
15	AP8152299	Dado autobloc.flang.	2	
16	AP8152280	Vite te flang. M6x25	2	
17	AP8221023	Bussola a 'T' *	2	
18	AP8144038	Tube benz. 6x10	2	
19	AP8101595	Fascetta D10,1*	4	
20	AP8120876	Tappo di chiusura	2	
21	AP8120030	Gommino *	2	
22	GU93301315	Cavallotto	1	

Gruppo	TELAIO
Codice	33.31
Descrizione	Gruppo scarico
Revisione	1



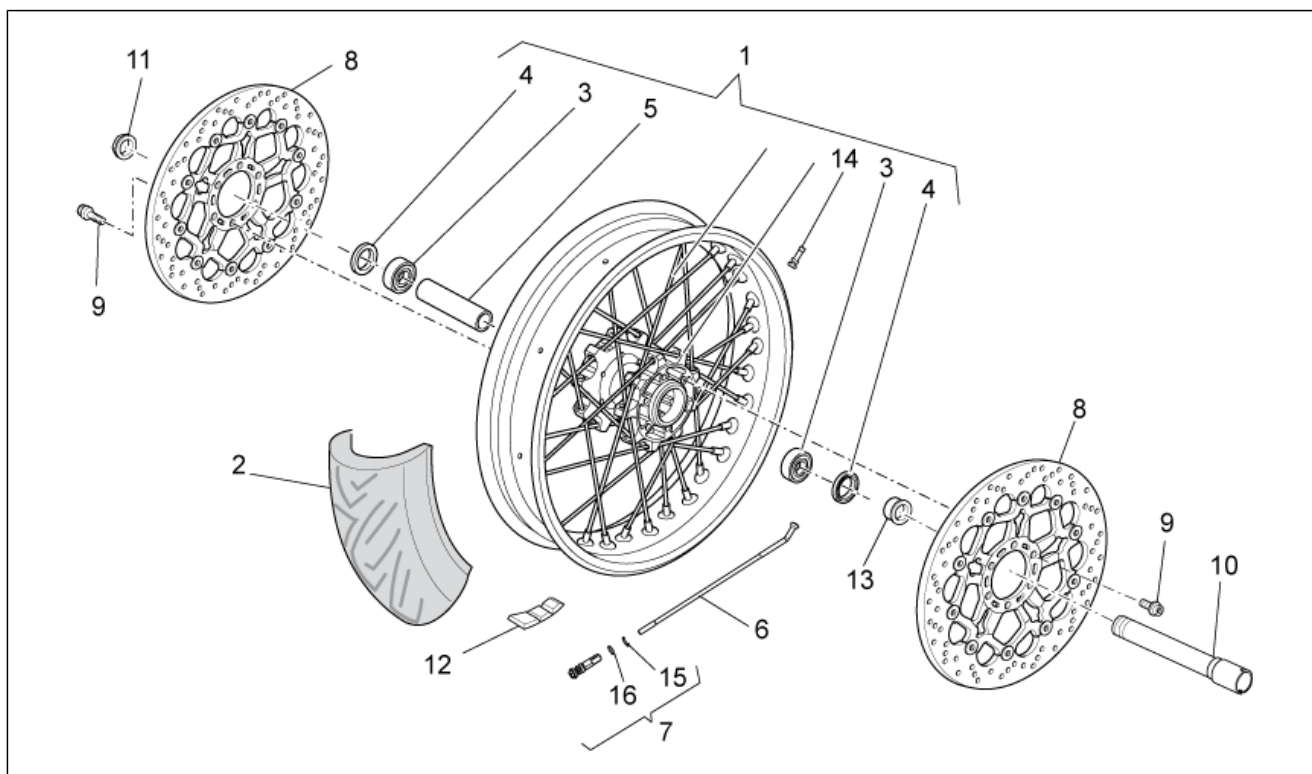
Pos.	Codice	Descrizione	Q.ta	Varianti
1	978621	Tubo scarico dx	1	
2	978622	Tubo scarico sx	1	
3	976376	Guarnizione	2	
4	GU92660021	Dado flangiato M8	4	
5	GU14615901	Rosetta 8,4X13X0,8	4	
6	GU06123500	Guarnizione	2	
7	883094	Fascetta	2	
8	978635	Tubo scarico cent.	1	
9	AP8152410	Vite TE flangiata M10x55	1	
10	AP8220346	Silent-block	1	
11	AP8152301	Dado autobloc.flang.	1	
12	GU32727010	Sonda lambda	1	
13	GU05128230	Guarnizione	1	
14	976521	Fascetta	1	
15	978443	Silenziatore	1	
16	GU98680460	Vite TCEI M8x60	1	
17	AP8134378	Bussola fissaggio silenziatore	1	
18	AP8144071	Gommino marmitta	2	
19	AP8121072	Distanziale	1	
20	977582	Distanziale	1	
21	GU92650138	Dado M8x1,25	1	
22	978444	Protezione	1	
23	GU28576591	Clip M6	2	

Gruppo	TELAIO
Codice	33.32
Descrizione	Pompa benzina interna
Revisione	1



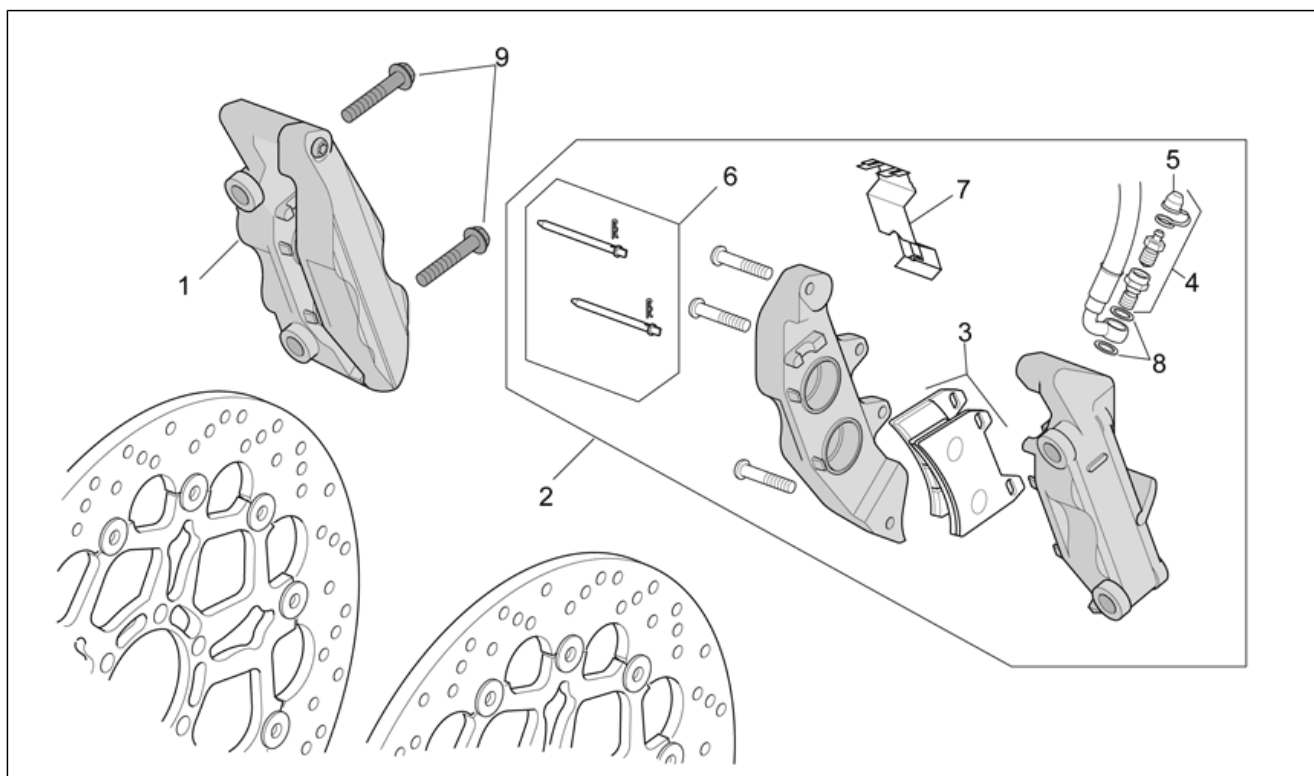
Pos.	Codice	Descrizione	Q.ta	Varianti
1	978138	Pompa benz.cpl.	1	
2	GU05107430	Guarnizione flangia	1	
3	GU01108490	Fascetta 11,3	4	
4	AP8127817	Sensore livello benz.	1	
5	GU01106090	Filtro benzina	1	

Gruppo	TELAIO
Codice	33.33
Descrizione	Ruota anteriore
Revisione	1



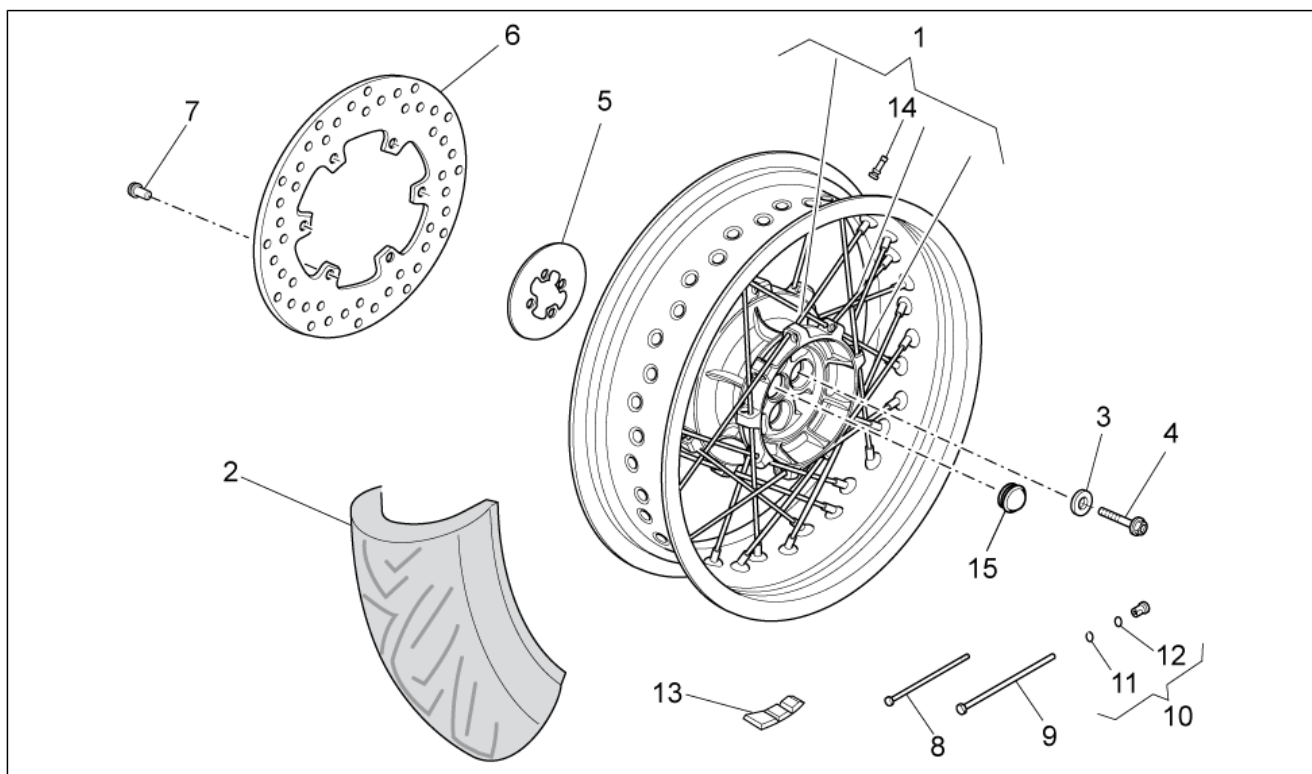
Pos.	Codice	Descrizione	Q.ta	Varianti
1	883009	Ruota ant.nuda 3,50x19"	1	
2	978026	Copertura ant. 110/80 R19	1	
3	AP8125777	Cuscinetto a sfere 25x47x12	2	
4	AP8125773	Anello di tenuta 30x47x7	2	
5	978516	Distanziale cuscinetti	1	
6	978864	Raggio	36	
7	883287	Nipples L=36	1	
7	978810	Nipples L=34	36	
8	978764	Disco freno ant.	2	
9	GU05611430	Vite	12	
10	978030	Perno ruota ant.	1	
11	GU01612190	Dado	1	
12	GU14616150	Contrappeso	1	
13	GU06616300	Distanziale	1	
14	978814	Valvola tubeless	1	
15	978811	Anello elastico	36	
16	GU90706061	Anello OR OR2025	36	

Gruppo	TELAIO
Codice	33.34
Descrizione	Pinza freno anteriore
Revisione	1



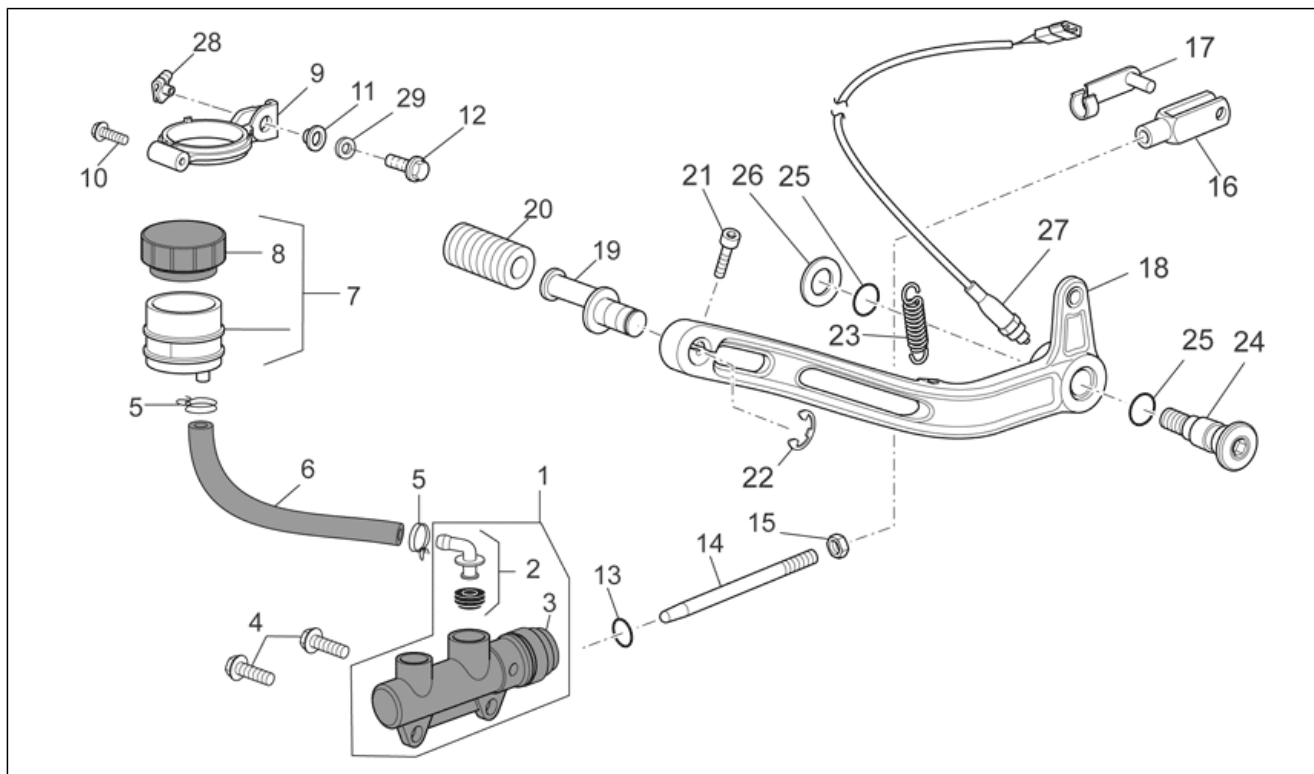
Pos.	Codice	Descrizione	Q.ta	Varianti
1	978464	Pinza freno ant.dx nera P432	1	
2	978465	Pinza freno ant.sx nera P432	1	
3	GU01654630	Pastiglie-coppia	2	
4	978466	Spurgo aria	2	
5	AP8133596	Cappuccio spurgo aria 20 pz.	1	
6	GU01659130	Perni+Molle pinza	2	
7	GU01659131	Molla	2	
8	GU25656100	Guarnizione in alluminio	4	
9	AP8152414	Vite TE flangiata M10x55	4	

Gruppo	TELAIO
Codice	33.35
Descrizione	Ruota posteriore
Revisione	1



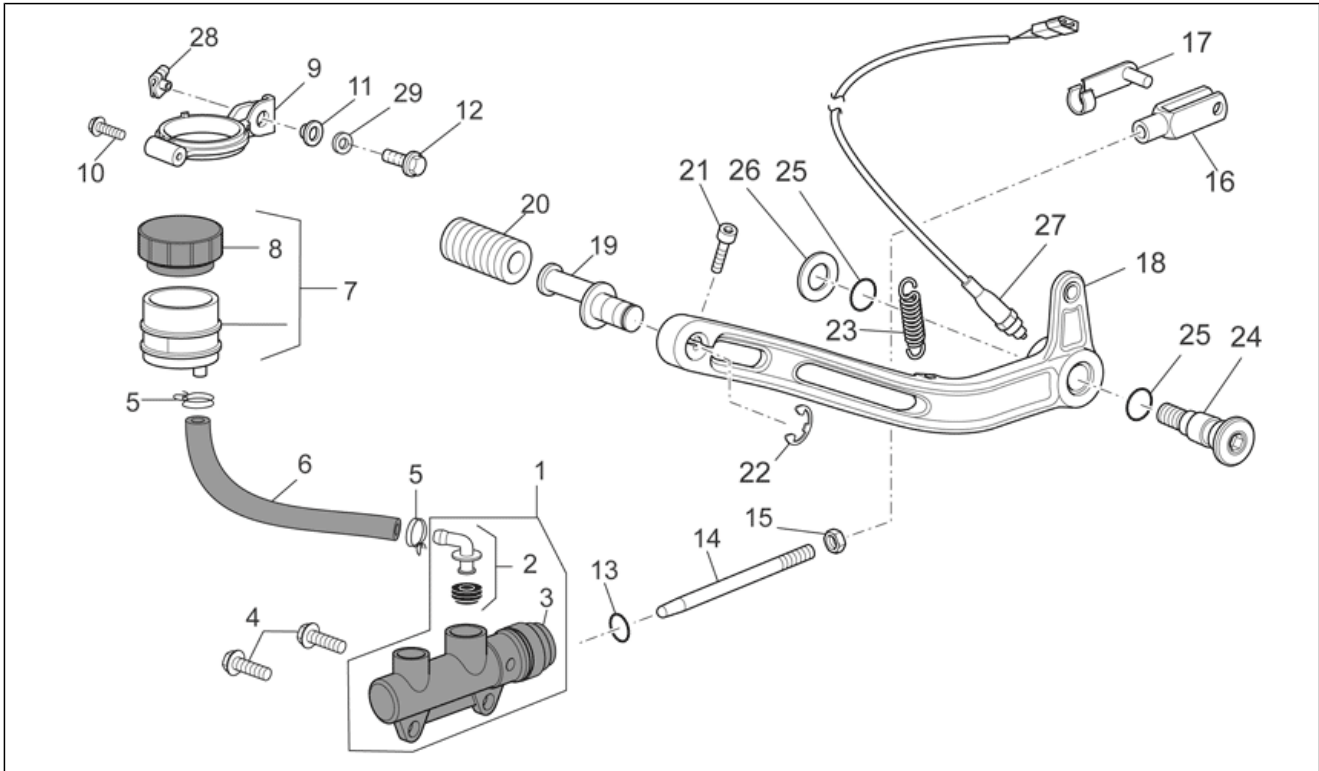
Pos.	Codice	Descrizione	Q.ta	Varianti
1	978849	Ruota post.nuda 5,5x17"	1	
2	978500	Pneumatico post. 180/55 R17 M/C 73V	1	
3	GU05632730	Bussola conica	4	
4	GU97202665	Vite TE flangiata M12x65	4	
5	977056	Anello parapolvere	1	
6	GU05635730	Disco freno post.	1	
7	GU30611460	Vite	6	
8	978815	Raggio corto	36	
9	978816	Raggio lungo	36	
10	883287	Nipples L=36	1	
10	978810	Nipples L=34	36	
11	978811	Anello elastico	36	
12	GU90706061	Anello OR OR2025	36	
13	GU14616150	Contrappeso	1	
14	978814	Valvola tubeless	1	
15	978301	Tappo	1	

Gruppo	TELAIO
Codice	33.36
Descrizione	Pompa freno post.
Revisione	1



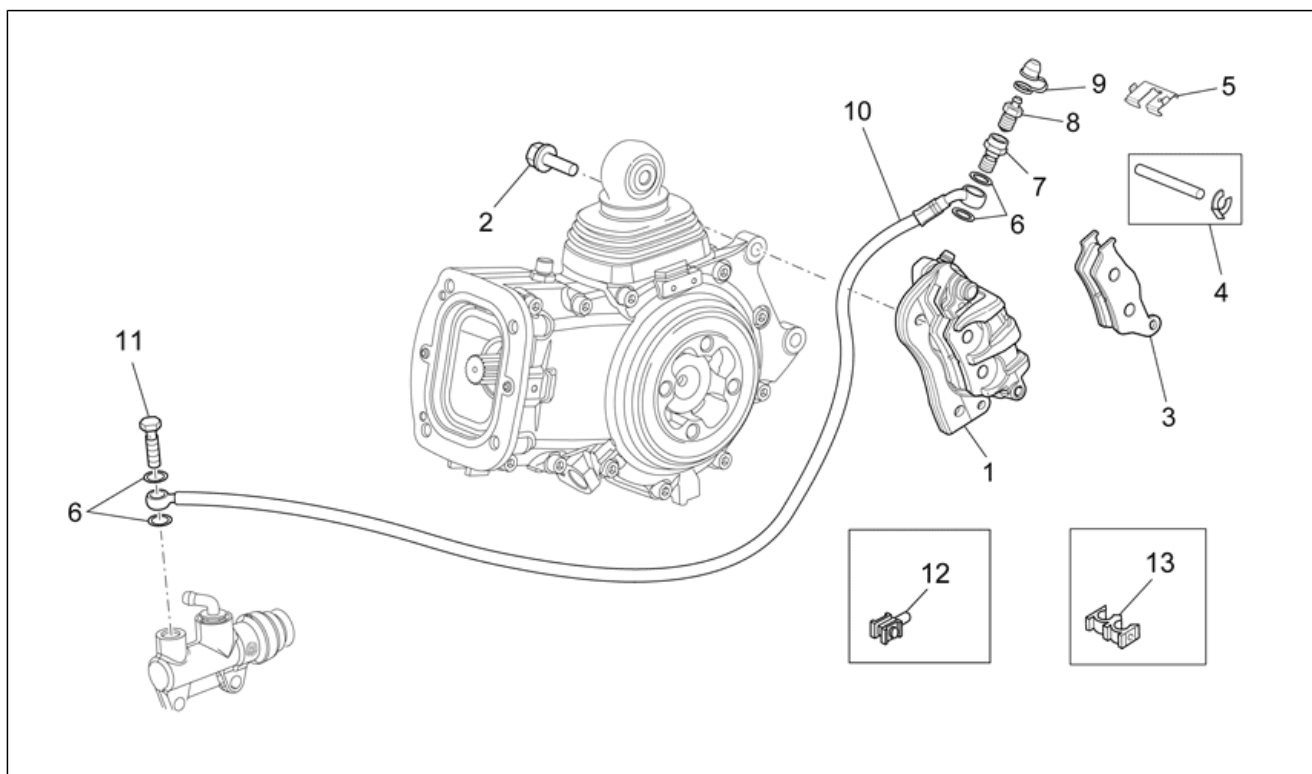
Pos.	Codice	Descrizione	Q.ta	Varianti
1	GU0566930	Pompa freno post.	1	
2	AP8113594	Raccordo pompa post.	1	
3	AP8113288	Soffietto in gomma	1	
4	AP8152279	Vite te flang. M6x20	2	
5	AP8101595	Fascetta D10,1*	2	
6	GU00823950050	Tubo olio	1	
7	GU05663530	Serbatoio olio freni cpl.	1	
8	GU17661052	Tappo serbatoio	1	
9	GU05666030	Supporto serbatoio	1	
10	AP8152329	Vite SWP t.croce flang. M5x20	1	
11	AP8221145	Bussola a 'T' *	1	
12	AP8152278	Vite TE flangiata	1	
13	AP8120178	Anello OR OR112	1	
14	977041	Asta pompa freno	1	
15	GU92606206	Dado	1	
16	AP8113081	Forchetta	1	
17	AP8113082	Clips per forchetta cambio	1	
18	GU06677000	Leva freno post.	1	
19	AP8121221	Piolo leva freno	1	
20	AP8120912	Gommino per leva	1	
21	GU98682316	Vite TCEI M6x16	1	
22	AP8150462	Anello Seeger d9	1	
23	AP8121927	Molla leva freno post.	1	
24	AP8121223	Perno leva freno post.	1	
25	AP8144007	Anello OR 11,11x1,78	2	
26	GU95008310	Rosetta 10,5x22x2,5	1	
27	AP8112996	Interruttore stop	1	
28	GU28576592	Dado a graffetta M6	1	

Gruppo	TELAIO
Codice	33.36
Descrizione	Pompa freno post.
Revisione	1



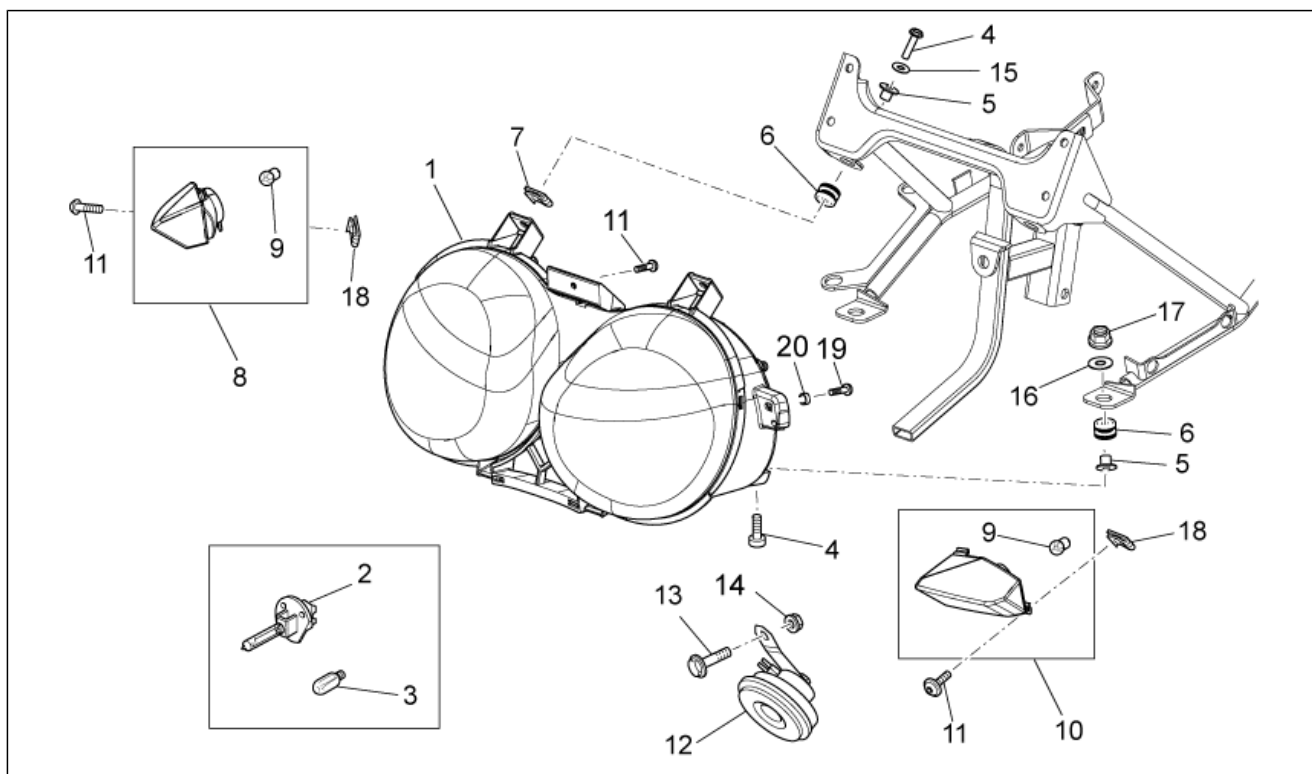
Pos.	Codice	Descrizione	Q.ta	Varianti
29	GU95021206	Rosetta	1	

Gruppo	TELAIO
Codice	33.37
Descrizione	Pinza freno post.
Revisione	1



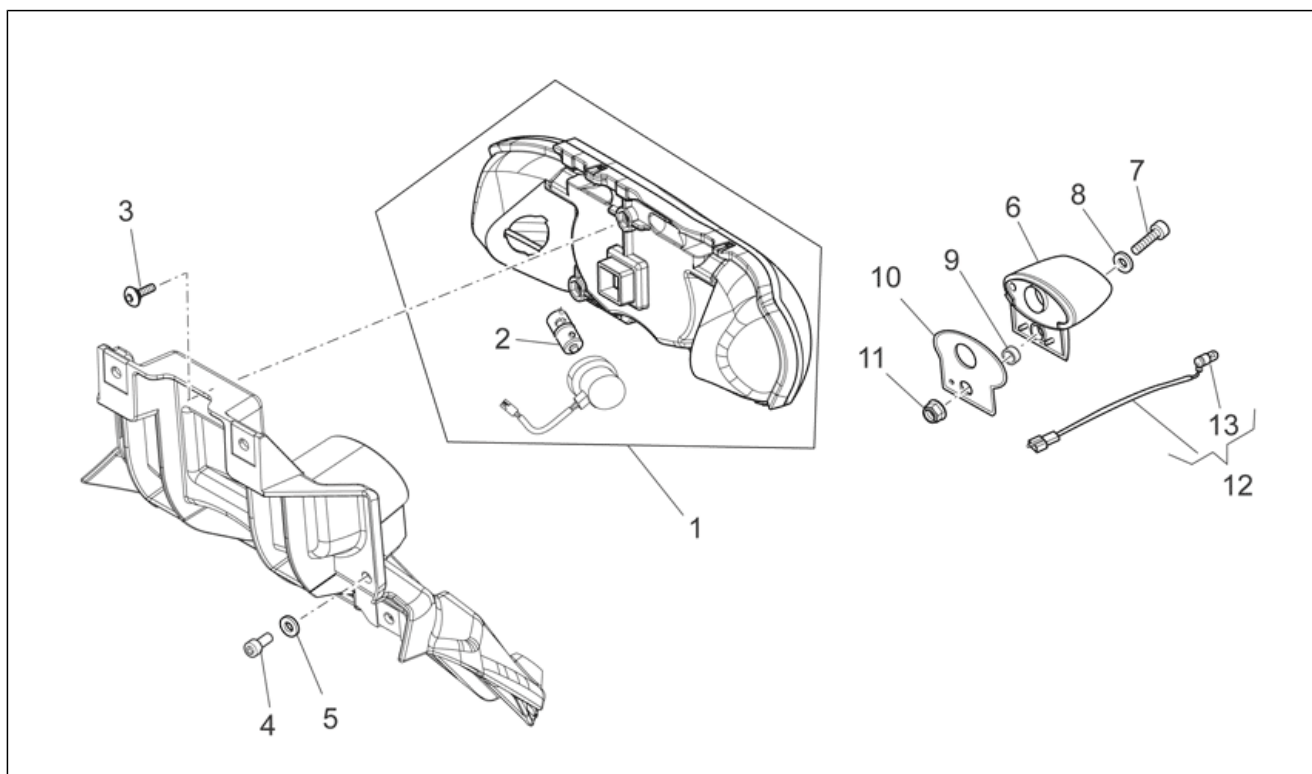
Pos.	Codice	Descrizione	Q.ta	Varianti
1	978414	Pinza freno post.nera	1	
2	AP8152320	Vite TE flangiata	2	
3	GU05654630	Pastiglie-coppia	1	
4	GU05659130	Perno+Copiglia pinza	1	
5	GU05659030	Molla	1	
6	AP8121915	Guarnizione	4	
7	AP8133597	Vite	1	
8	AP8133595	Spurgo aria	1	
9	AP8133596	Cappuccio spurgo aria 20 pz.	1	
10	883007	Tubo freno post.	1	
11	AP8133962	Vite tubo olio *	1	
12	AP8202238	Ancoraggio guidacavo	4	
13	AP8201808	Guidacavo D8	5	

Gruppo	TELAIO
Codice	33.38
Descrizione	Fanale ant./Claxon
Revisione	1



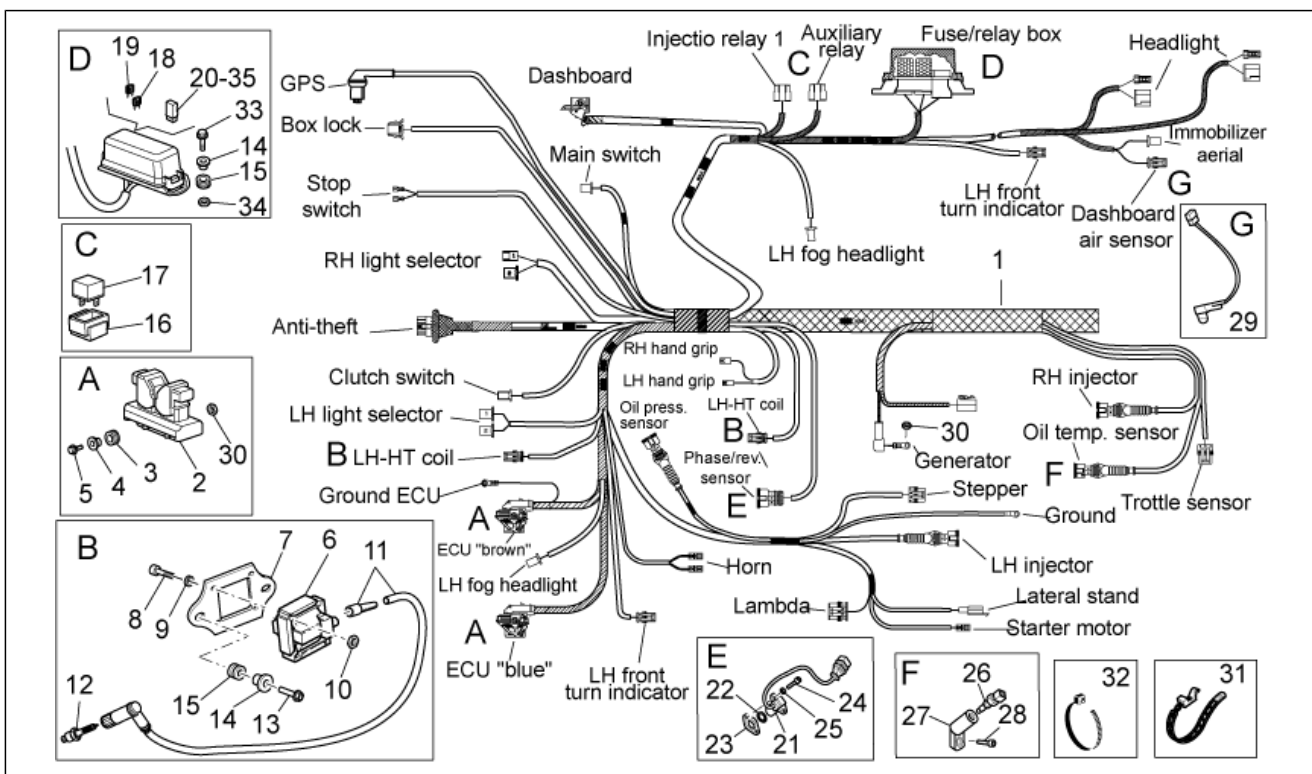
Pos.	Codice	Descrizione	Q.ta	Varianti
1	978450	Fanale ant.	1	
2	GU93450232	Lampada 12V-55/60W	2	
3	GU93450105	Lampada	2	
4	GU98680225	Vite TCEI M5x25	2	
5	AP8221023	Bussola a 'T' *	4	
6	AP8120030	Gommino *	4	
7	AP8102375	Clip	4	
8	978428	Indicatore dire.ant.dx	1	Paese:Altri paesi[EU], Giappone[J], Gran Bretagna[UK]
9	GU93450126	Lampada arancio	2	Paese:Altri paesi[EU], Giappone[J], Gran Bretagna[UK]
10	978427	Indicatore dire.ant.sx	1	Paese:Altri paesi[EU], Giappone[J], Gran Bretagna[UK]
11	GU98370412	Vite TBEI M4x12	3	Paese:Altri paesi[EU], Giappone[J], Gran Bretagna[UK]
12	GU01743791	Claxon tono acuto L	1	
13	AP8152279	Vite te flang. M6x20	1	
14	AP8152299	Dado autobloc.flang.	1	
15	GU95129100	Rosetta elastica 5,3X10X0,5	2	
16	GU95021105	Rosetta dentellata	2	
17	GU92650035	Dado flangiato	2	
18	AP8102381	Clip M4	2	
19	GU98680125	Vite M4x25	2	
20	GU91120507	Bussola	2	

Gruppo	TELAIO
Codice	33.39
Descrizione	Fanale posteriore
Revisione	1



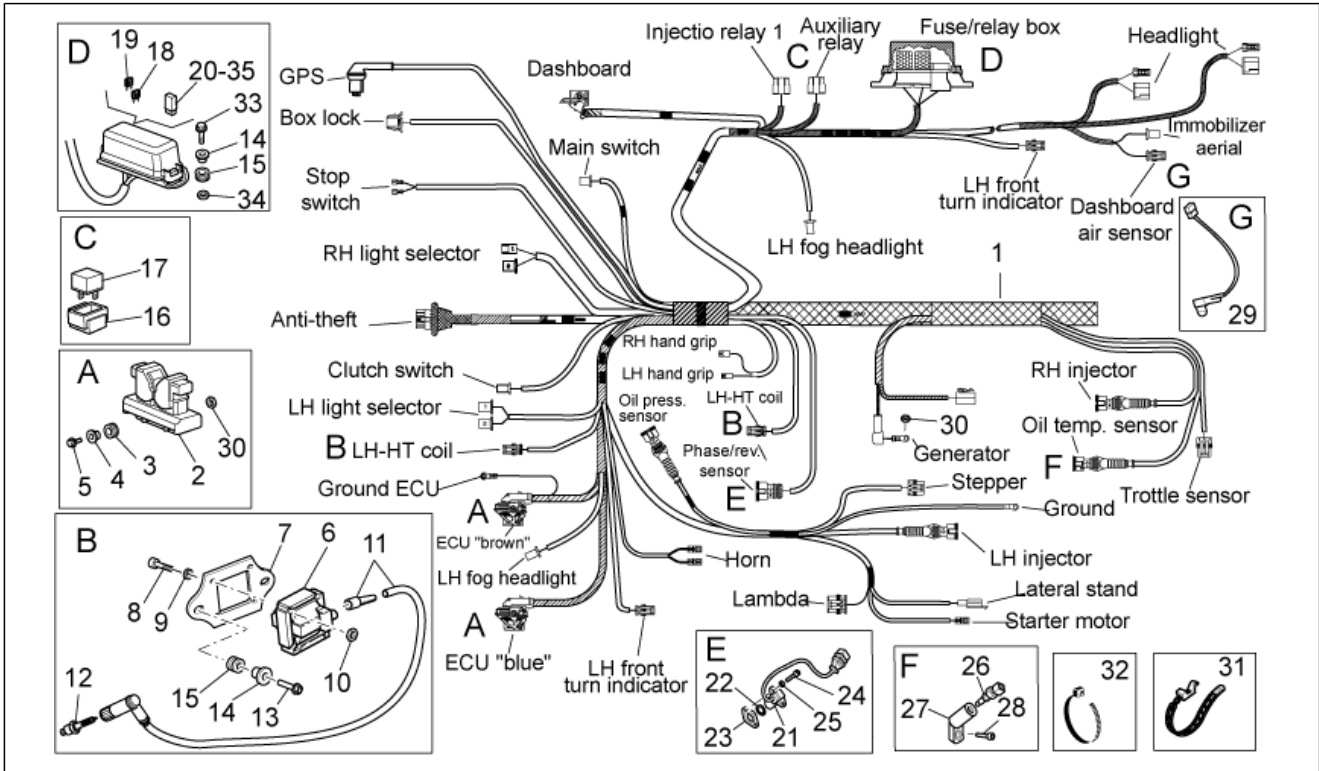
Pos.	Codice	Descrizione	Q.ta	Varianti
1	978451	Fanale post.	1	
2	GU93450126	Lampada arancio	2	
3	AP8152302	Vite TBEI flangiata M5x12	1	
4	GU98692210	Vite TCEI	2	
5	GU95100059	Rosetta 5,25x14x1,5	2	
6	AP8127098	Fanale targa	1	
7	GU98680225	Vite TCEI M5x25	1	
8	GU95008205	Rosetta 5,3x10x0,8	1	
9	GU91120507	Bussola	1	
10	GU32474710	Gomma	1	
11	AP8152306	Dado autobloc.flang.	1	
12	977795	Cablaggio luce targa	1	
13	GU93450105	Lampada	1	

Gruppo	TELAIO
Codice	33.40
Descrizione	Impianto elettrico I
Revisione	1



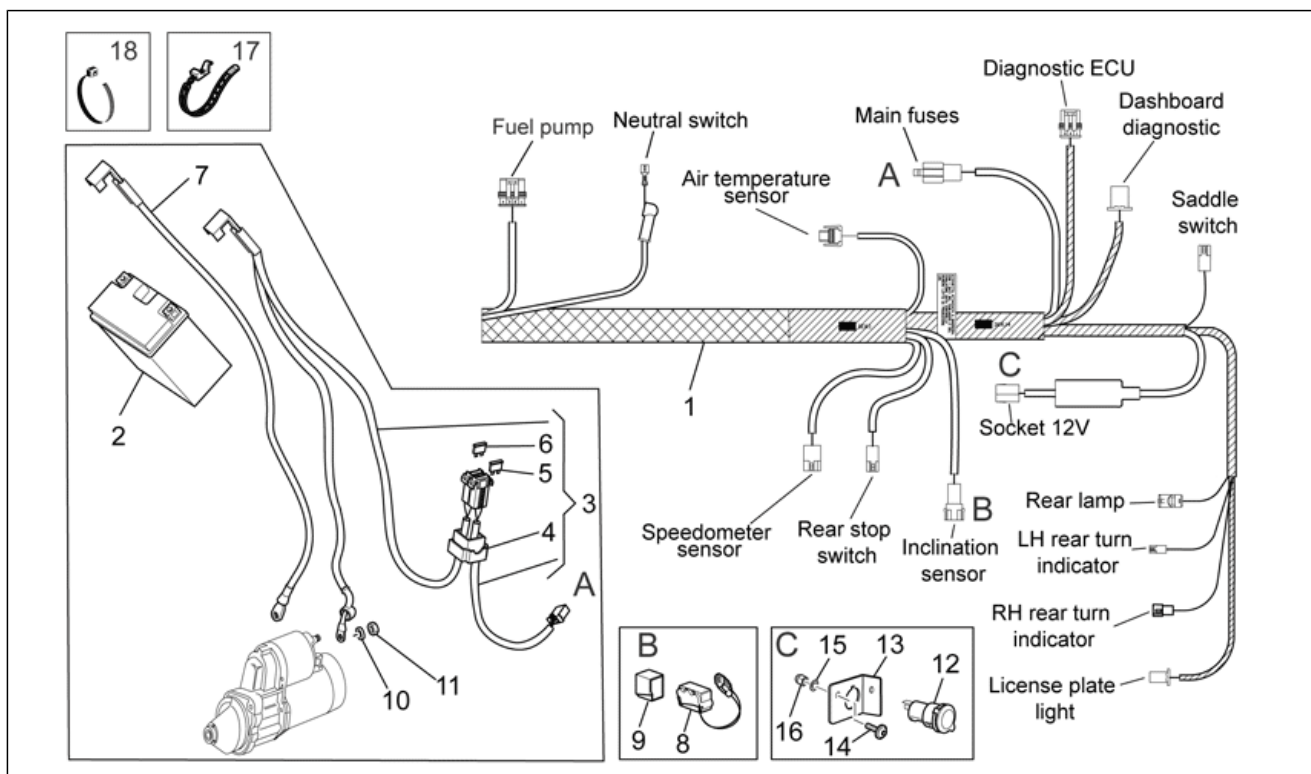
Pos.	Codice	Descrizione	Q.ta	Varianti
1	978448	Cablaggio principale	1	
2	978447	Centralina	1	
3	978152	Gommino	2	
4	AP8121795	Bussola a 'T' *	2	
5	GU98680345	Vite TCEI	2	
6	GU30716500	Bobina A.T.	2	
7	GU05716730	Supporto bobina	2	
8	GU98682125	Vite TCEI	8	
9	GU95008204	Rosetta 4,3x8x0,5	8	
10	GU92630104	Dado M4x0,7	8	
11	883028	Cavo A.T.	2	
12	GU05717030	Candela NGK PMR8B	2	
13	AP8152279	Vite te flang. M6x20	6	
14	AP8120030	Gommino *	6	
15	AP8221023	Bussola a 'T' *	6	
16	AP8220546	Gommino supporto rele'	2	
17	AP8124869	Rele' iniezione	2	
18	977769	Fusibile 3A	3	
19	977772	Fusibile 15A	5	
20	GU01731760	Relè dev.siemens A1001A403	1	
21	GU01721600	Sensore di fase	1	
22	GU90706141	Anello OR	1	
23	GU01722700	Guarnizione 0,3mm	1	
23	GU01722701	Guarnizione 0,4 mm	1	
23	GU01722702	Guarnizione 0,6mm	1	
23	GU01722703	Guarnizione	1	
23	GU01722704	Guarnizione 1mm	1	
23	GU01722705	Guarnizione 1,5mm	1	

Gruppo	TELAIO
Codice	33.40
Descrizione	Impianto elettrico I
Revisione	1



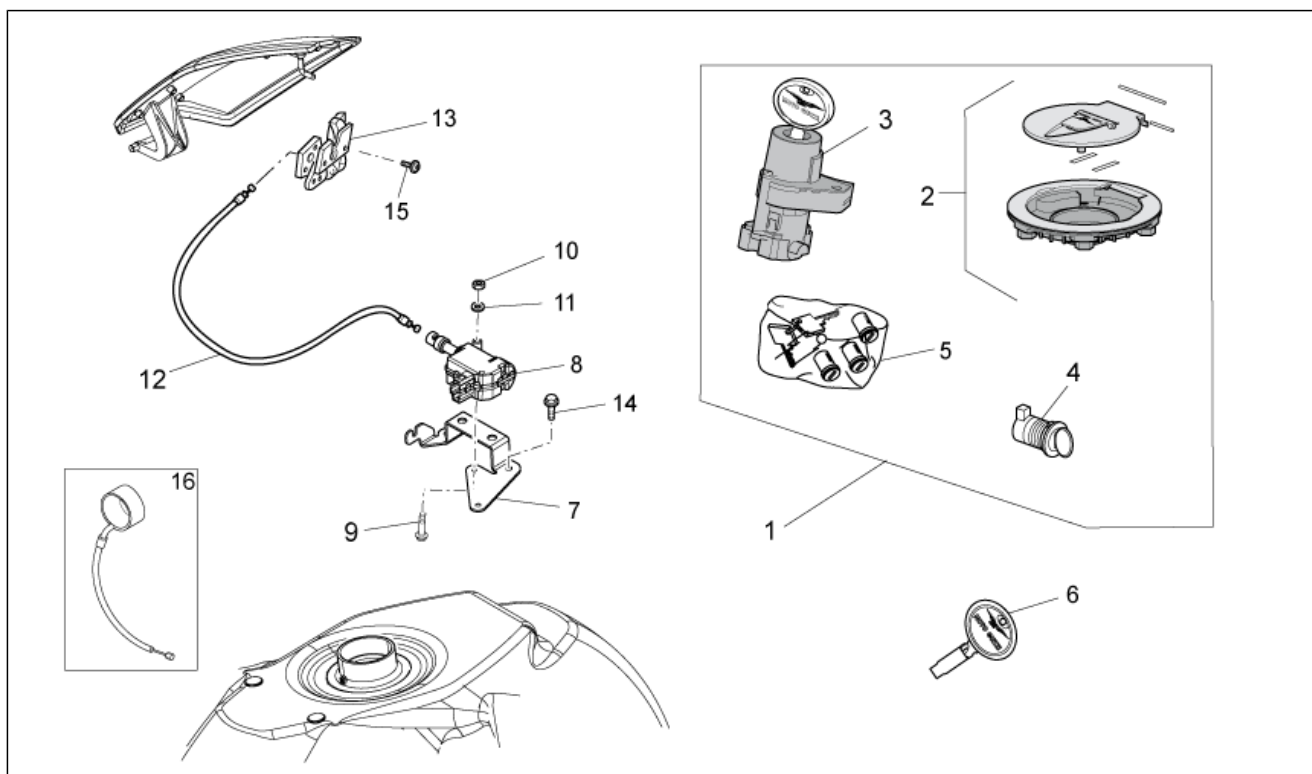
Pos.	Codice	Descrizione	Q.ta	Varianti
23	GU29722760	Guarnizione 0,5 mm	1	
24	GU98682212	Vite TCEI	2	
25	GU95008205	Rosetta 5,3x10x0,8	2	
26	GU29729461	Sensore temperatura olio	1	
27	976556	Supporto sensore	1	
28	GU98683520	Vite TCEI M10x20	1	
29	AP8124936	Sensore temperatura aria	1	
30	AP8152299	Dado autobloc.flang.	3	
31	GU06609600	Fascetta	9	
32	GU14609650	Fascetta 3,6x20,6	23	
32	GU49609601	Fascetta 2,4x92	5	
32	GU93304390	Fascetta 3,6x375	2	
33	AP8152280	Vite te flang. M6x25	2	
34	AP8152299	Dado autobloc.flang.	2	
35	GU01732560	Micoint.siemens A1001A402	2	

Gruppo	TELAIO
Codice	33.41
Descrizione	Impianto elettrico II
Revisione	1



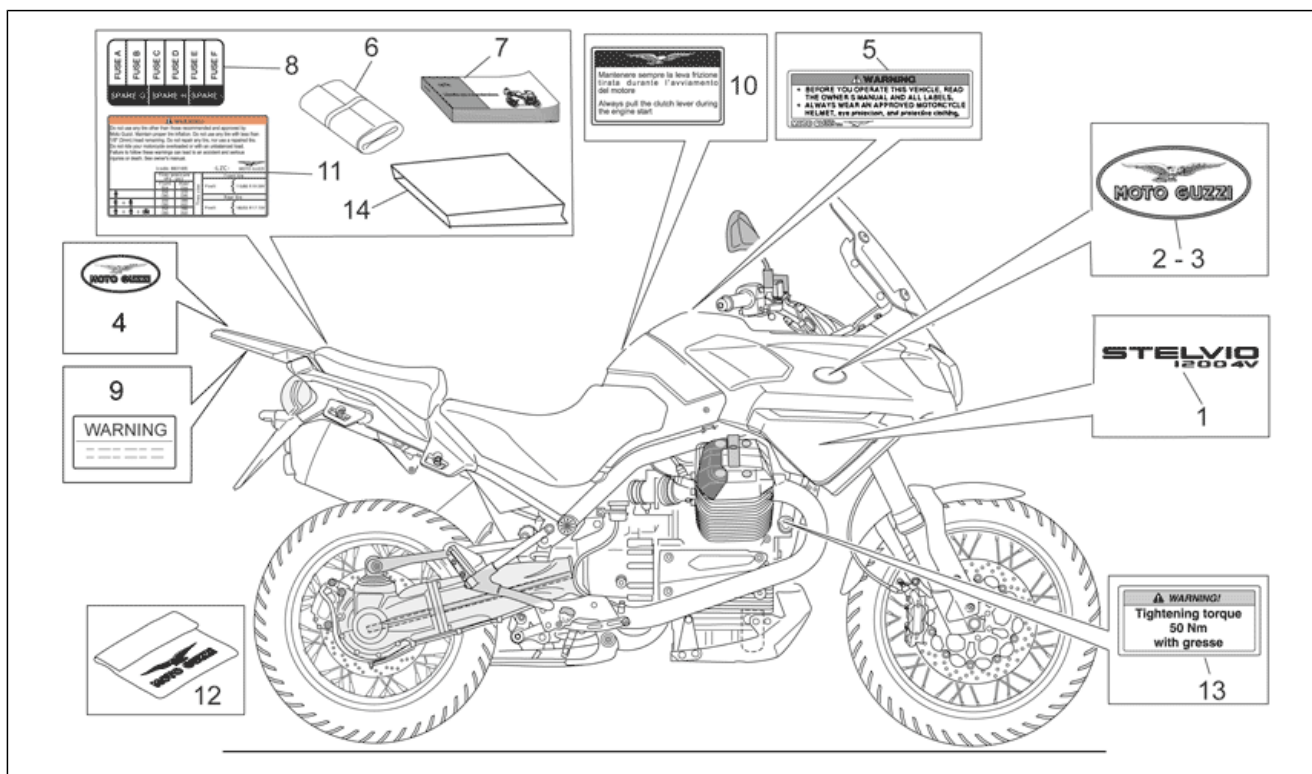
Pos.	Codice	Descrizione	Q.ta	Varianti
1	978448	Cablaggio principale	1	
2	GU05704531	Batteria 12V-20Ah	1	
3	978648	Cablaggio	1	
4	AP8112811	Gommino portafusibili	1	
5	GU28742562	Fusibile 30A	2	
6	977762	Fusibile ABS-40A	2	
7	GU06747900	Cablaggio massa-batteria	1	
8	AP8124266	Sensore inclinazione	1	
9	AP8144046	Gommino supporto sensore	1	
10	GU95129131	Rosetta ondulata 8,4x15x1,7	1	
11	GU92609408	Dado M8x1,25	1	
12	AP8124768	Presca di corrente cpl.	1	
13	883063	Piastra supporto	1	
14	GU98350210	Vite TBEI	2	
15	GU95008205	Rosetta 5,3x10x0,8	2	
16	GU92787205	Dado cieco	2	
17	GU06609600	Fascetta	9	
18	GU14609650	Fascetta 3,6x20,6	23	
18	GU49609601	Fascetta 2,4x92	5	
18	GU93304390	Fascetta 3,6x375	2	

Gruppo	TELAIO
Codice	33.42
Descrizione	Kit serrature
Revisione	1



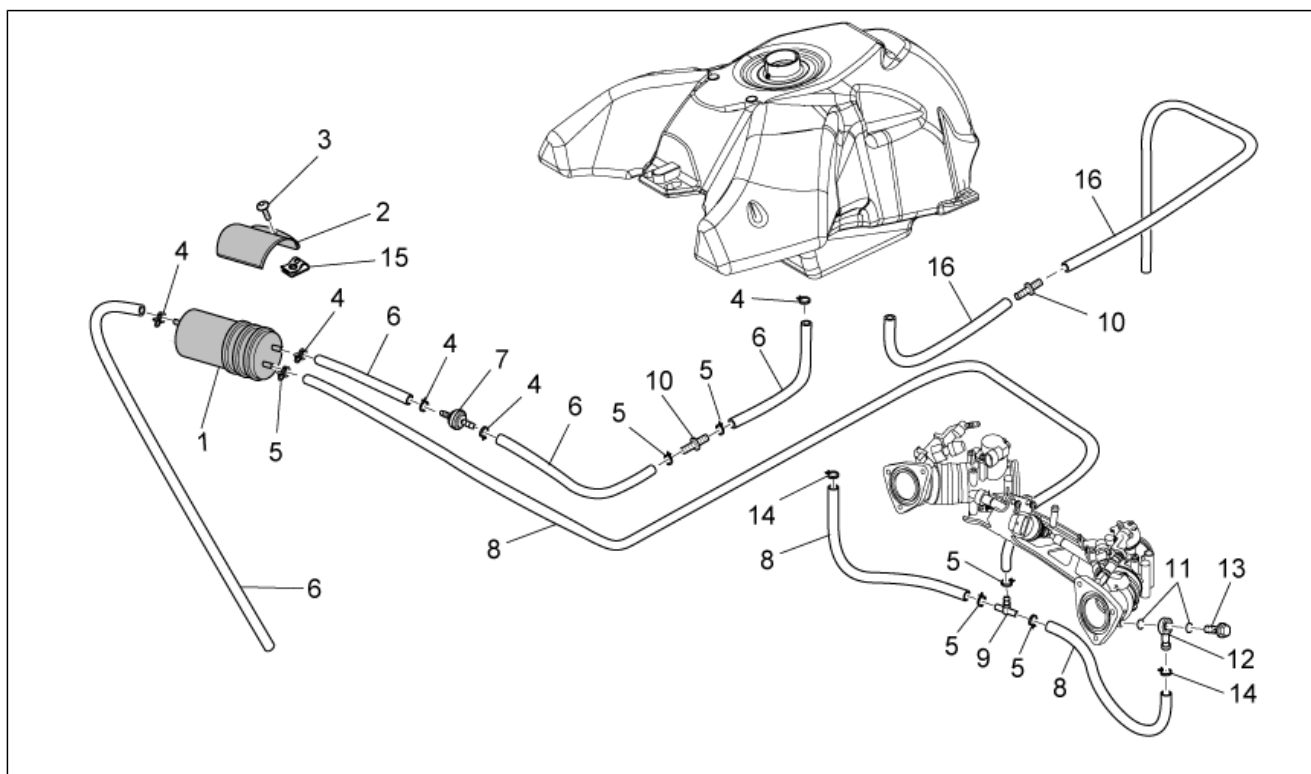
Pos.	Codice	Descrizione	Q.ta	Varianti
1	977666	Kit serrature	1	
2	GU05103930	Tappo serbatoio	1	
3	GU05782530	Blocchetto avviamento-blocc.	1	
4	GU05466830	Serratura sella	1	
5	978220	kit rotori+chiavi unificate	1	
6	GU05735530	Chiave liscia grezzo	1	
7	883038	Piastra supporto	1	
8	AP8127650	Serratura portaoggetti ant.	1	
9	883042	Vite TSPEI M4x35	2	
10	GU92630104	Dado M4x0,7	2	
11	GU95008204	Rosetta 4,3x8x0,5	2	
12	883080	Cavo serratura	1	
13	CM023705	Serratura portaoggetti	1	
14	AP8152272	Vite te flang.	2	
15	AP8152339	Vite TBEI flangiata M5x9	2	
16	981087	Antenna immobilizer	1	

Gruppo	TELAIO
Codice	33.43
Descrizione	Targhette-decalco-libretti
Revisione	1



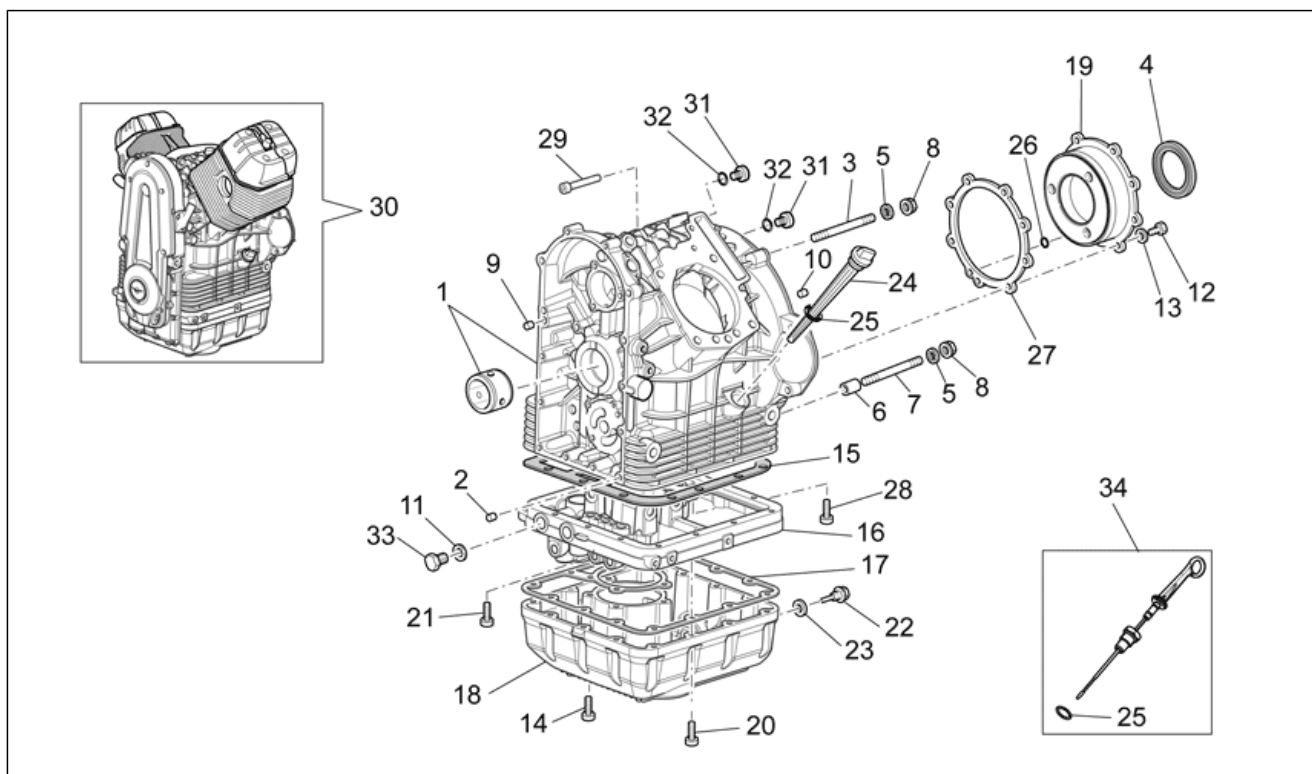
Pos.	Codice	Descrizione	Q.ta	Varianti
1	978987	Decalco "Stelvio 1200 4V"	2	
2	GU06917400	Targhetta sx rosso/oro AL	1	
3	GU06917300	Targhetta dx rosso/oro AL	1	
4	977303	Targhetta "Moto Guzzi"	1	
5	GU30944300	Decalco "Attention"	1	
6	978882	Trousse attrezzi	1	
7	883380	Libretto u/m	1	Paese: Australia[AUS], Canada[CA], Stati Uniti d'America[USA]
7	978426	Libretto u/m I-F-D-E-NL-UK	1	Paese: Altri paesi[EU], Giappone[J], Gran Bretagna[UK]
8	978647	Decalco fusibili	1	
9	AP8157631	Targhetta	1	
10	GU05944930	Decalco Engine Start	1	
11	883169	Decalco pressione pneumatici	1	
12	GU30970200	Telo coprimoto	1	
13	GU05944530	Decalco Warning	1	
14	GU05900130	Sacchetto per documenti	1	

Gruppo	TELAIO
Codice	33.66
Descrizione	Impianto recupero vapori benzina
Revisione	1



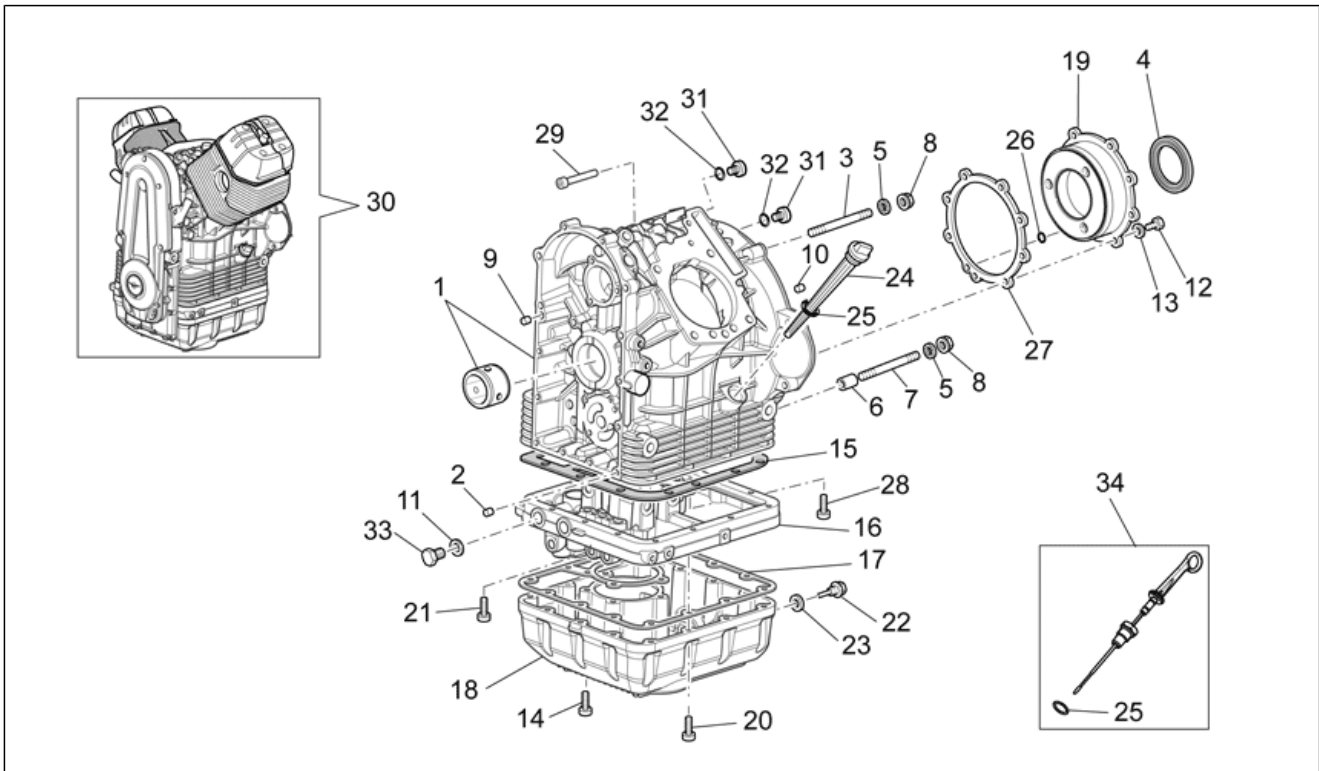
Pos.	Codice	Descrizione	Q.ta	Varianti
1	AP8102678	Filtro a carboni	1	Paese:Canada[CA], Stati Uniti d'America[USA]
2	AP8134884	Piastra supporto canister	1	Paese:Canada[CA], Stati Uniti d'America[USA]
3	AP8152277	Vite TE flangiata	1	Paese:Canada[CA], Stati Uniti d'America[USA]
4	GU28157950	Fascetta clic 12,5x8	5	Paese:Canada[CA], Stati Uniti d'America[USA]
5	GU29108550	Fascetta clic 11,5x6	6	Paese:Canada[CA], Stati Uniti d'America[USA]
6	856063	Tubo SAE 30 d.12,7x6,35	4	Paese:Canada[CA], Stati Uniti d'America[USA]
7	AP8104614	Valvola pressione	1	Paese:Canada[CA], Stati Uniti d'America[USA]
8	856062	Tubo SAE 30 d.11,11x4,8	3	Paese:Canada[CA], Stati Uniti d'America[USA]
9	AP8144303	Raccordo a tre vie	1	Paese:Canada[CA], Stati Uniti d'America[USA]
10	GU06704700	Raccordo	1	
11	GU90706009	Anello OR 6x1	4	Paese:Canada[CA], Stati Uniti d'America[USA]
12	GU95963062	Raccordo	2	Paese:Canada[CA], Stati Uniti d'America[USA]
13	GU95990023	Vite forata	2	Paese:Canada[CA], Stati Uniti d'America[USA]
14	AP8102378	Fascetta D11,3	2	Paese:Canada[CA], Stati Uniti d'America[USA]
15	GU28576592	Dado a graffetta M6	1	Paese:Canada[CA], Stati Uniti d'America[USA]
16	AP8220263	Tubo sfiato 4x8	2	

Gruppo	MOTORE
Codice	34.44
Descrizione	Carter I
Revisione	1



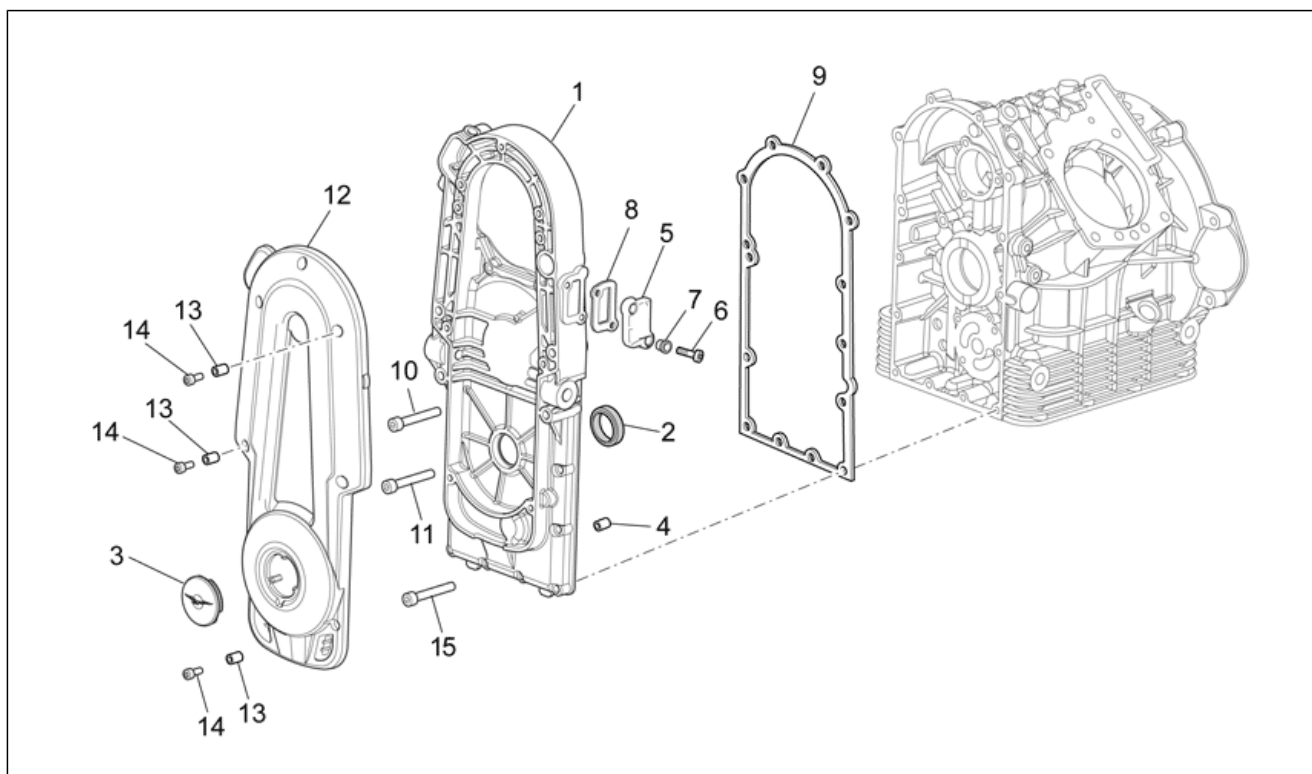
Pos.	Codice	Descrizione	Q.ta	Varianti
1	976539	Basamento motore nero	1	
2	411209	Spina	2	
3	GU96508066	Prigioniero M8X66	3	
4	GU90405367	Anello di tenuta	1	
5	GU14615901	Rosetta 8,4X13X0,8	5	
6	GU12018900	Bussola di guida	2	
7	GU96508075	Prigioniero M8x75	2	
8	GU92660021	Dado flangiato M8	5	
9	GU95512081	Spina	2	
10	560110	Spina	1	
11	GU01154230	Guarnizione in alluminio	2	
12	GU98084425	Vite TE M8x25	8	
13	GU61270300	Rosetta elastica 8x15x0,3	8	
14	GU98682330	Vite TCEI	4	
15	GU01003651	Guarnizione flangia	1	
16	976502	Flangia nera	1	
17	GU05003630	Guarnizione	1	
18	976486	Coppa olio motore nero	1	
19	874213	Flangia cpl.	1	
20	AP4ADN000007	Vite TCEI	14	
21	GU98680360	Vite TCEI M6x60	2	
22	GU31003766	Tappo scarico olio M10x1	1	
23	GU01528930	Guarnizione 10x18x1,5	1	
24	GU05004930	Tappo livello olio	1	Specifiche Tecniche:Prima serie[1A]
25	GU90706178	Anello OR 17,86X2,62	1	
26	874980	Anello OR 7,5X2	1	
27	874257	Guarnizione flangia	1	
28	GU98680340	Vite TCEI	2	

Gruppo	MOTORE
Codice	34.44
Descrizione	Carter I
Revisione	1



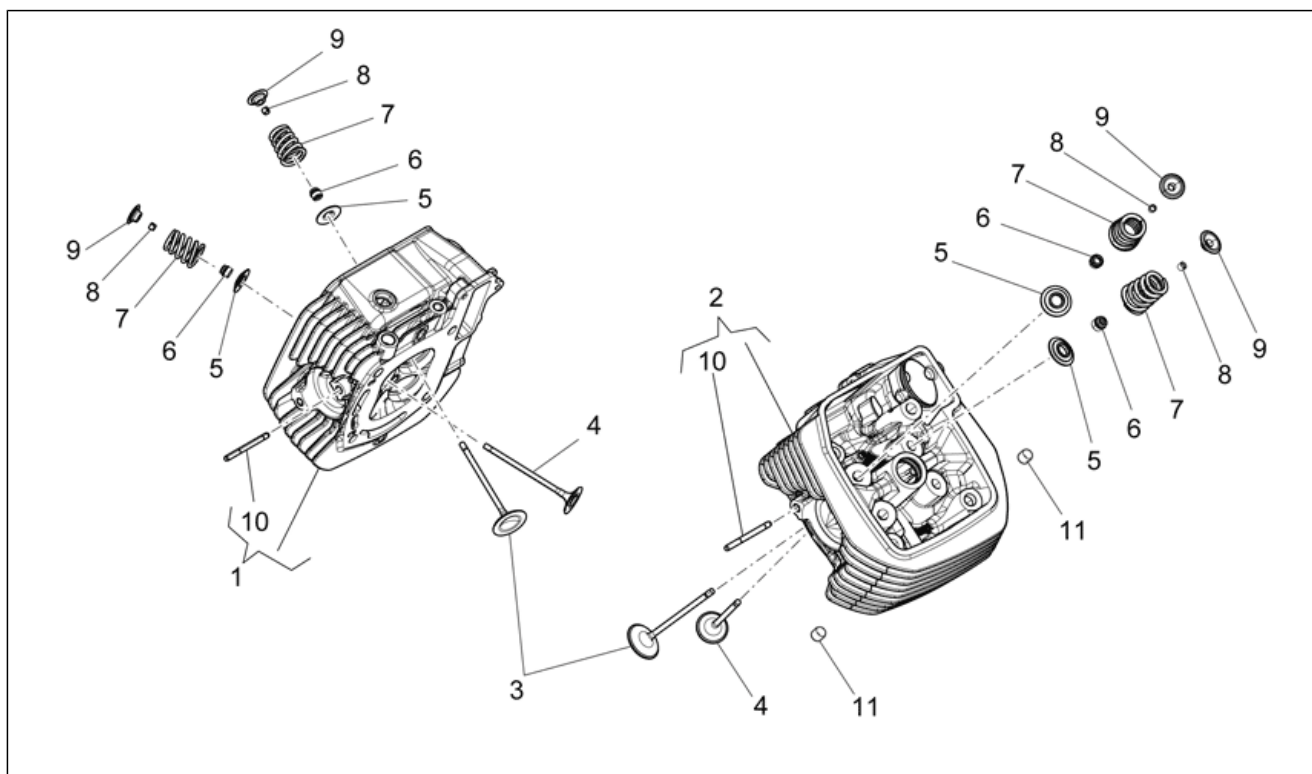
Pos.	Codice	Descrizione	Q.ta	Varianti
29	AP8152291	Vite TE flangiata	1	
30	976936	Motore cpl.	1	
31	GU12022600	Tappo olio	2	
32	GU90706203	Anello OR 20,24X2,62	2	
33	GU95980216	Tappo	2	
34	883144	Astina livello olio cpl.	1	Specifiche Tecniche:Seconda serie[2A]

Gruppo	MOTORE
Codice	34.45
Descrizione	Carter II
Revisione	1



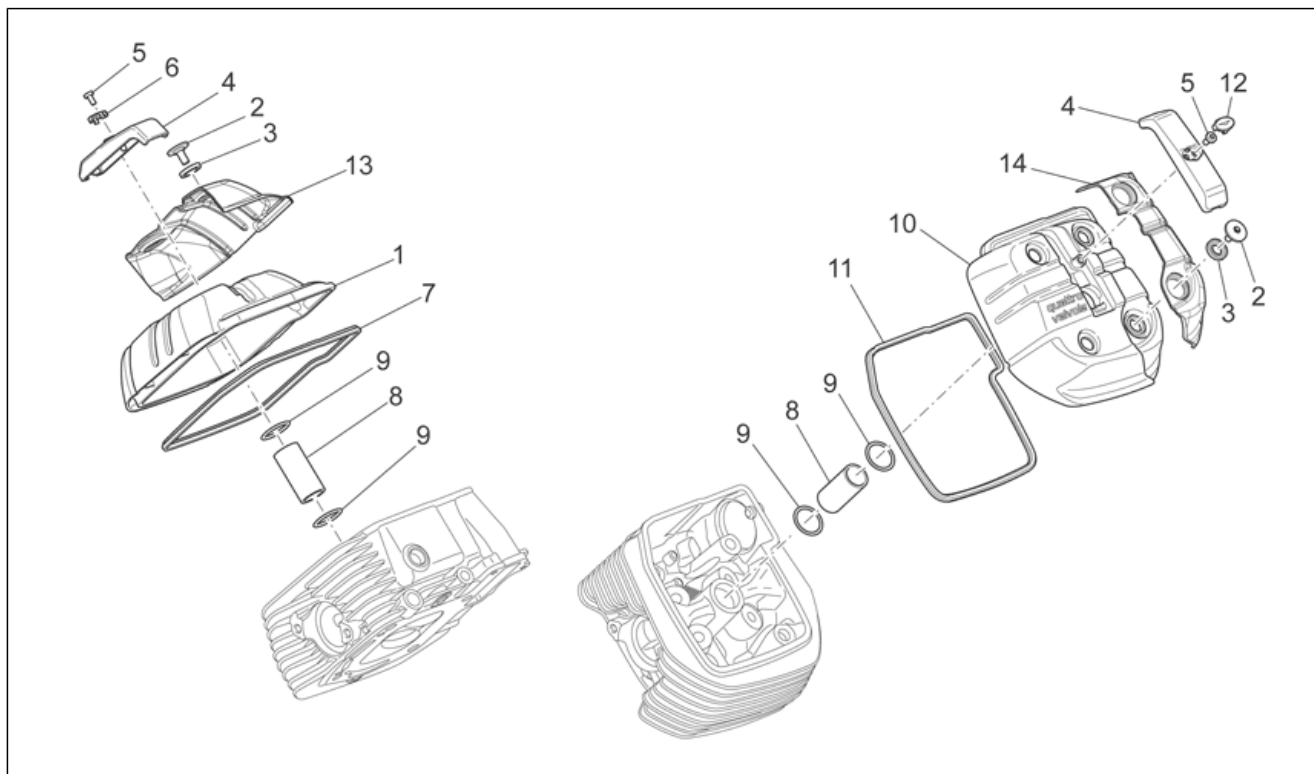
Pos.	Codice	Descrizione	Q.ta	Varianti
1	976480	Coperchio distribuzione nero	1	
2	GU90412237	Anello di tenuta 22x35x7viton	1	
3	GU05002130	Tappo	1	
4	825597	Spina 11,8X10	2	
5	976554	Tappo	1	
6	GU98682320	Vite TCEI M6x20	2	
7	GU91120607	Boccola 6,4x8,4x10,5	2	
8	GU90706347	Anello OR 34,65x1,78viton	1	
9	976478	Guarnizione coperchio	1	
10	AP8150046	Vite TCEI M8x55	4	
11	GU98682330	Vite TCEI	9	
12	GU05001630	Coperchio generatore grigio	1	
13	GU91120606	Boccola 6,8x8,8x5,8	6	
14	GU98682316	Vite TCEI M6x16	5	
15	GU98680335	Vite TCEI M6x35	1	

Gruppo	MOTORE
Codice	34.46
Descrizione	Testa - valvole
Revisione	1



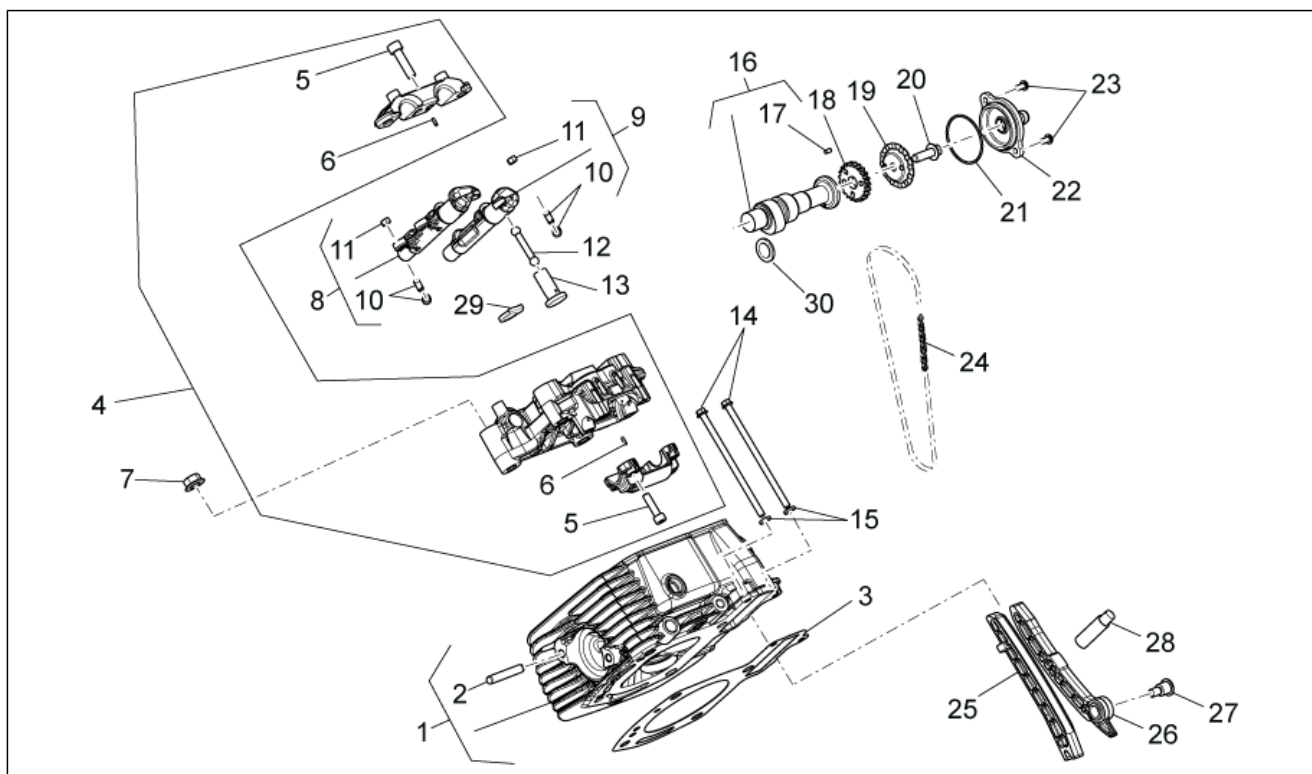
Pos.	Codice	Descrizione	Q.ta	Varianti
1	872756	Testa cilindro dx	1	
2	872755	Testa cilindro sx	1	
3	872695	Valvola aspirazione	4	
4	872696	Valvola scarico	4	
5	874127	Scodellino inf.	4	
6	436438	Anello di tenuta valvola	8	
7	874335	Molla valvola	8	
8	285846	Semicono valvola	8	
9	874126	Scodellino sup.	8	
10	827018	Prigioniero M8X3X46	4	
11	825597	Spina 11,8X10	8	

Gruppo	MOTORE
Codice	34.47
Descrizione	Coperchio testa
Revisione	1



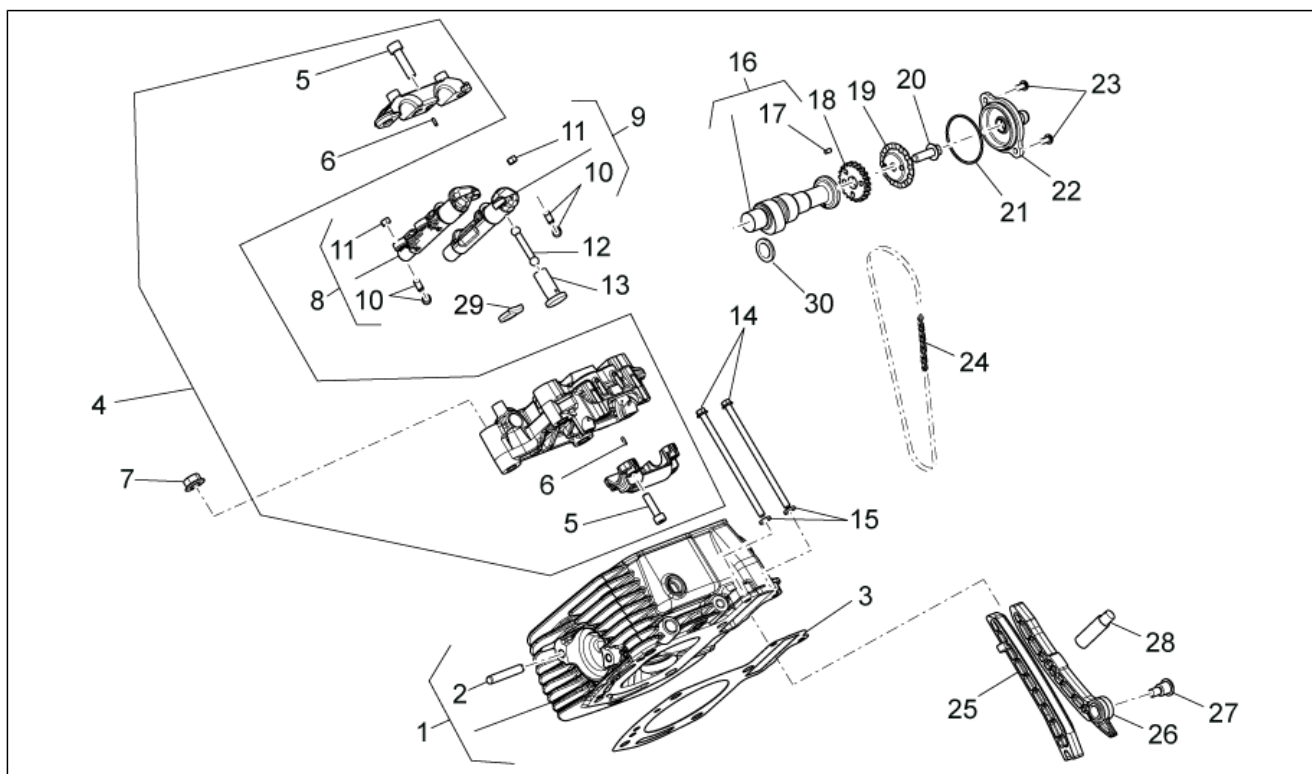
Pos.	Codice	Descrizione	Q.ta	Varianti
1	872607	Coperchio testa dx	1	
2	976591	Vite speciale	8	
3	830249	Tampono smorzatore	8	
4	872726	Coperchio candela	2	
5	GU98230510	Vite TBEI	2	
6	976560	Targhetta dx "Moto Guzzi"	1	
7	872742	Guarnizione dx	1	
8	873668	Tube candela	2	
9	873626	Anello OR 26X2,5	4	
10	872606	Coperchio testa sx	1	
11	872741	Guarnizione sx	1	
12	976559	Targhetta sx "Moto Guzzi"	1	
13	873654	Copertura DX	1	
14	872740	Copertura SX	1	

Gruppo	MOTORE
Codice	34.48
Descrizione	Distribuzione cilindro dx
Revisione	1



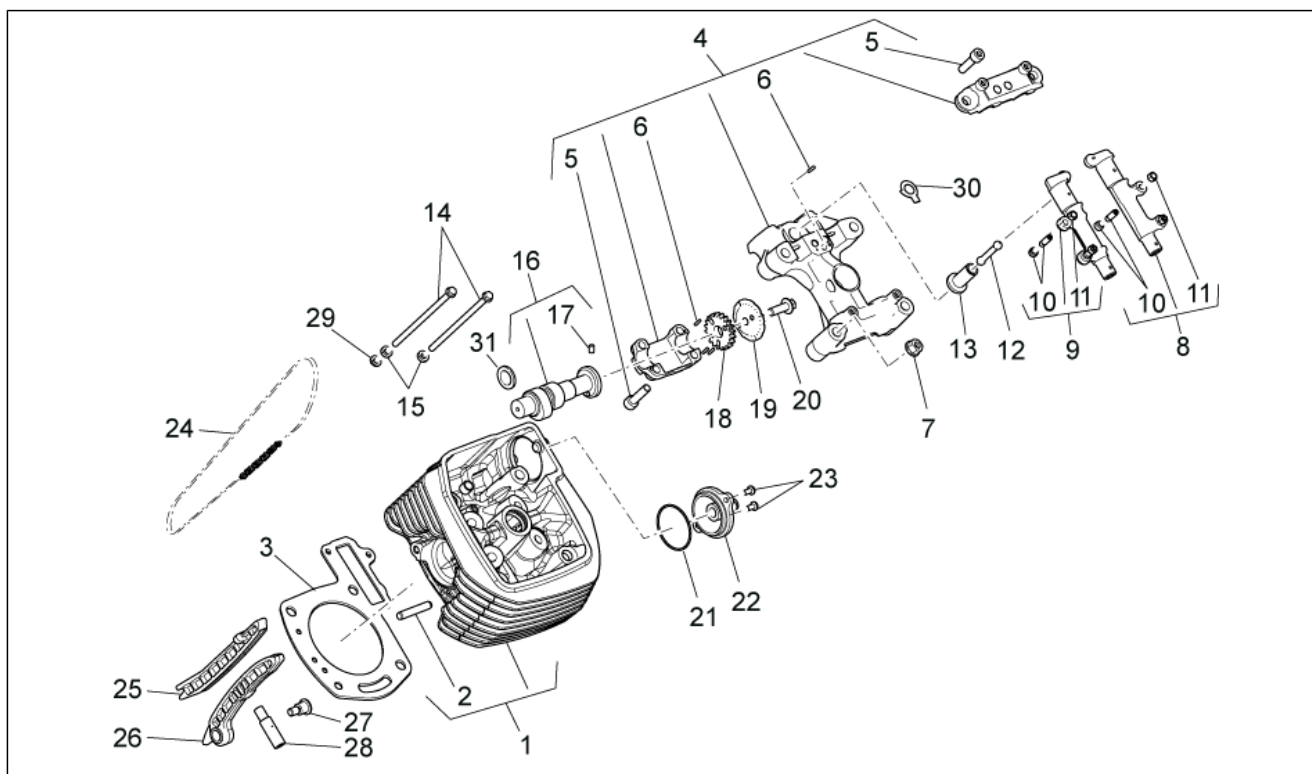
Pos.	Codice	Descrizione	Q.ta	Varianti
1	872756	Testa cilindro dx	1	
2	827018	Prigioniero M8X3X46	4	
3	874621	Guarnizione testa 0,65 mm	2	
3	874622	Guarnizione testa 0,85 mm	2	
3	976311	Guarnizione testa 1,05 mm	2	
4	873426	Supporto bilanciere dx	1	
5	015792	Vite	6	
6	872759	Spina D. 2,5	4	
7	825694	Dado M10x1,25	8	
8	976359	Bilanciere	1	
9	976360	Bilanciere	1	
10	873850	Vite registro	4	
11	484819	Dado	4	
12	873631	Asta bilanciere	4	
13	877322	Bicchierino punteria	4	Specifiche Tecniche: Bicchierino in ghisa[V1]
13	877725	Bicchierino punteria	4	Specifiche Tecniche: Bicchierino in acciaio[V2]
14	487444	Vite flangiata M6x120	2	
15	976674	Rosetta piana 12x6,1x2	2	
16	976445	Albero a camme	1	
17	976589	Spina	1	
18	976350	Ingranaggio distribuzione	1	
19	874601	Lamierino sfiato	1	
20	843060	Vite te flang.	1	
21	872814	Anello OR 47,35X1,78	1	
22	874521	Coperchio sfiato cpl.	1	
23	GU98350210	Vite TBEI	2	
24	976341	Catena distribuzione	1	
25	976338	Pattino guidacatena	1	

Gruppo	MOTORE
Codice	34.48
Descrizione	Distribuzione cilindro dx
Revisione	1



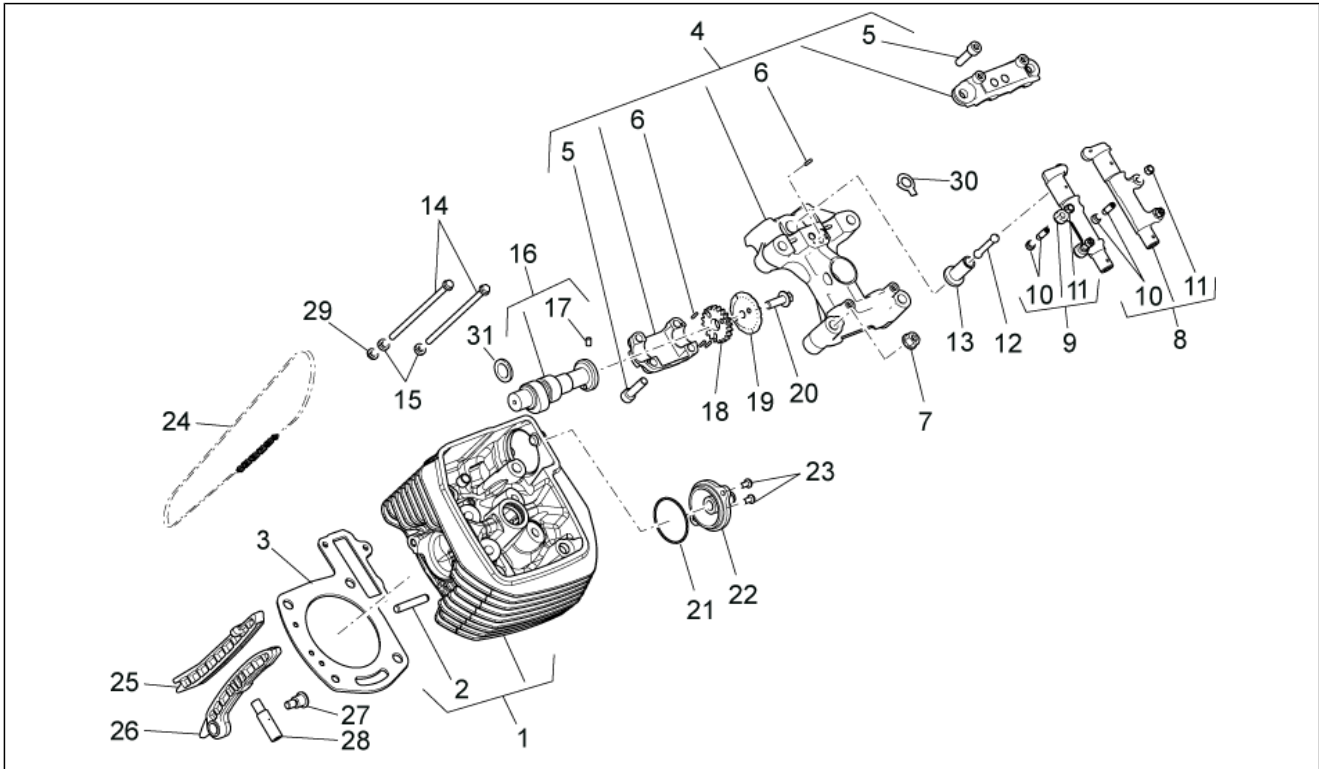
Pos.	Codice	Descrizione	Q.ta	Varianti
26	976337	Pattino tendicatena	1	
27	974228	Vite distanziale	1	
28	873689	Tendicatena dx	1	
29	874805	Lamierino	1	
30	CM162701	Distanziale 1,02	1	
30	CM162702	Distanziale 1,05	1	
30	CM162703	Distanziale 1,08	1	
30	CM162704	Distanziale 1,11	1	
30	CM162705	Distanziale 1,14	1	

Gruppo	MOTORE
Codice	34.49
Descrizione	Distribuzione cilindro sx
Revisione	1



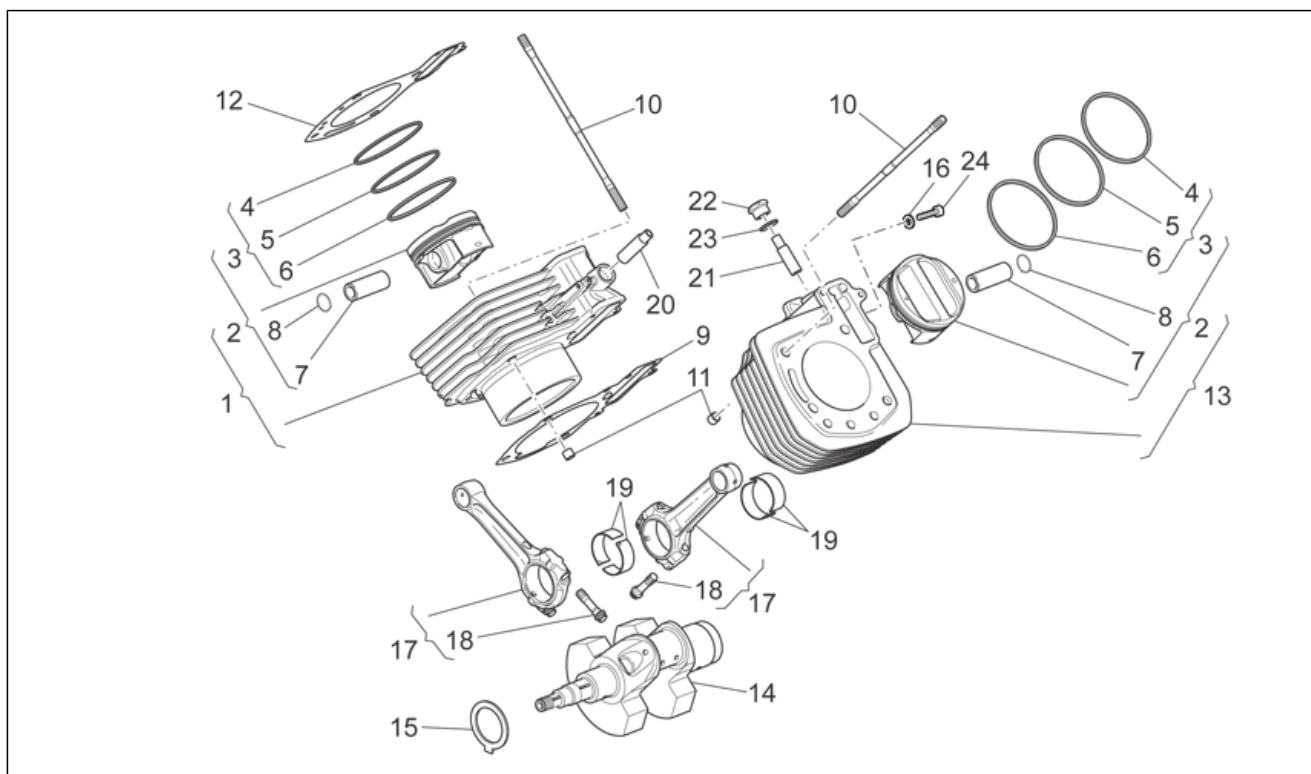
Pos.	Codice	Descrizione	Q.ta	Varianti
1	872755	Testa cilindro sx	1	
2	827018	Prigioniero M8X3X46	4	
3	874621	Guarnizione testa 0,65 mm	2	
3	874622	Guarnizione testa 0,85 mm	2	
3	976311	Guarnizione testa 1,05 mm	2	
4	873425	Supporto bilanciere sx	1	
5	015792	Vite	6	
6	872759	Spina D. 2,5	4	
7	825694	Dado M10x1,25	8	
8	976359	Bilanciere	1	
9	976360	Bilanciere	1	
10	873850	Vite registro	4	
11	484819	Dado	4	
12	873631	Asta bilanciere	4	
13	877322	Bicchierino punteria	4	Specifiche Tecniche: Bicchierino in ghisa[V1]
13	877725	Bicchierino punteria	4	Specifiche Tecniche: Bicchierino in acciaio[V2]
14	487444	Vite flangiata M6x120	2	
15	976674	Rosetta piana 12x6,1x2	2	
16	976445	Albero a camme	1	
17	976589	Spina	1	
18	976350	Ingranaggio distribuzione	1	
19	874601	Lamierino sfiato	1	
20	843060	Vite te flang.	1	
21	872814	Anello OR 47,35X1,78	1	
22	874521	Coperchio sfiato cpl.	1	
23	GU98350210	Vite TBEI	2	
24	976341	Catena distribuzione	1	
25	976338	Pattino guidacatena	1	

Gruppo	MOTORE
Codice	34.49
Descrizione	Distribuzione cilindro sx
Revisione	1



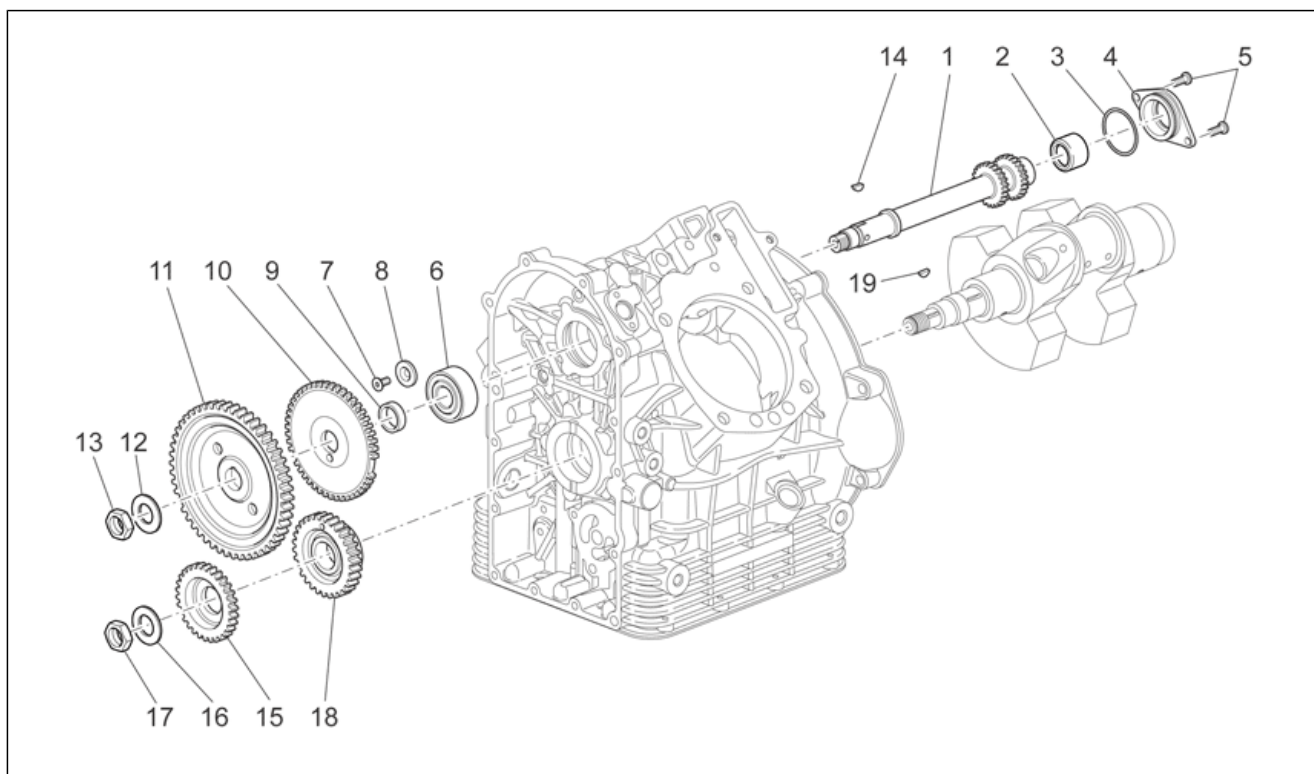
Pos.	Codice	Descrizione	Q.ta	Varianti
26	976337	Pattino tendicatena	1	
27	974228	Vite distanziale	1	
28	873690	Tendicatena sx	1	
29	244585	Distanziale	1	
30	874805	Lamierino	1	
31	CM162701	Distanziale 1,02	1	
31	CM162702	Distanziale 1,05	1	
31	CM162703	Distanziale 1,08	1	
31	CM162704	Distanziale 1,11	1	
31	CM162705	Distanziale 1,14	1	

Gruppo	MOTORE
Codice	34.50
Descrizione	Albero motore - cilindro
Revisione	1



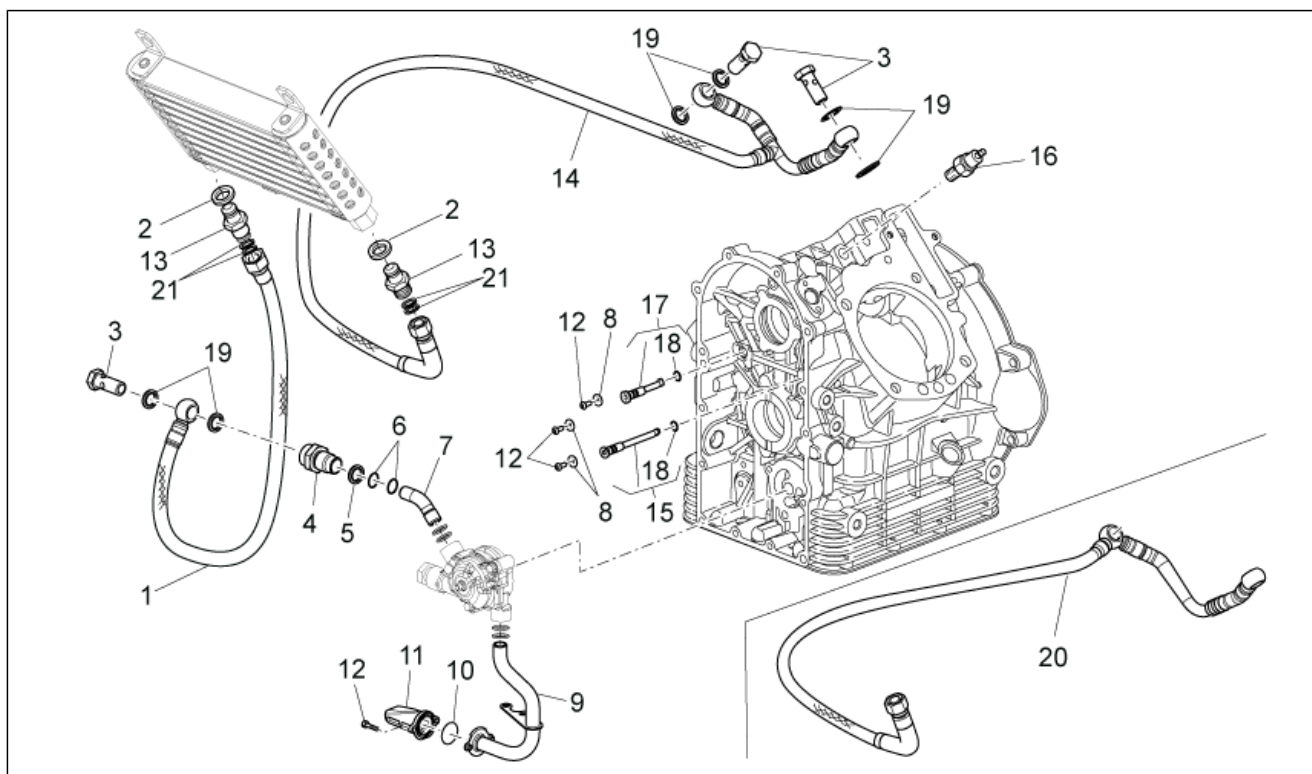
Pos.	Codice	Descrizione	Q.ta	Varianti
1	981008	Cilindro con pistone cpl.dx	1	
2	873667	Pistone D95 cpl	2	
3	981009	Kit fasce elastiche	2	
4	874287	Fascia elastica superiore	2	
5	874288	Fascia elastica intermedia	2	
6	874289	Fascia elastica raschiaolio	2	
7	874286	Spinotto	2	
8	874567	Anello di fermo	4	
9	976312	Guarnizione base cilindro	2	
10	976304	Prigioniero	8	
11	825597	Spina 11,8X10	4	
12	874621	Guarnizione testa 0,65 mm	2	
12	874622	Guarnizione testa 0,85 mm	2	
12	976311	Guarnizione testa 1,05 mm	2	
13	981007	Cilindro con pistone cpl.sx	1	
14	874607	Albero motore cpl.	1	
15	874293	Rosetta di rasamento	1	
16	GU95100116	Rosetta 6,25x10x1,5	1	
17	976006	Biella cpl.	2	
18	849131	Vite biella	4	
19	875243	Semig.bronzina 1,535-1,540	4	Specifiche Tecniche:Segno rosso[RS]
19	875244	Semig.bronzina 1,539-1,544	4	Specifiche Tecniche:Segno blu[BS]
20	873689	Tendicatena dx	1	
21	873690	Tendicatena sx	1	
22	976342	Tappo tendicatena	2	
23	849866	Rosetta	2	
24	GU98350310	Vite TBEI M6x20	1	

Gruppo	MOTORE
Codice	34.51
Descrizione	Distribuzione
Revisione	1



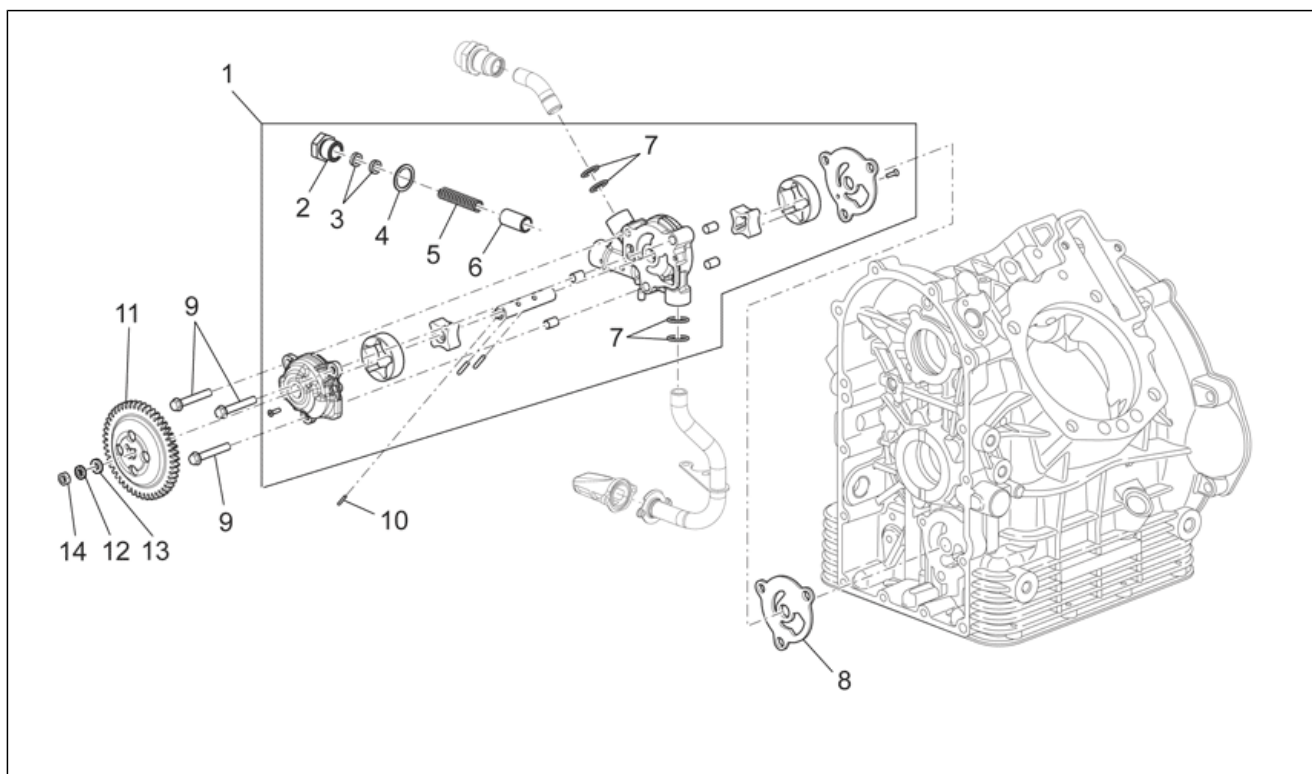
Pos.	Codice	Descrizione	Q.ta	Varianti
1	976330	Albero distribuzione	1	
2	976381	Gabbia a rulli 25x32x12	1	
3	976488	Anello OR 37,82x1,78	1	
4	976331	Flangia	1	
5	GU98350315	Vite TBEI	2	
6	976355	Cuscinetto a sfere 20x47x18	1	
7	AP8152166	Vite M6x16	1	
8	873928	Rondella	1	
9	976334	Distanziale	1	
10	976538	Ruota fonica	1	
11	874281	Ingran.distribuz.	1	
12	GU14433400	Rosetta elastica 19x34x1,5	1	
13	GU92750180	Dado M18	1	
14	GU91600450	Chiavetta	1	
15	874799	Ingranaggio conduttore	1	
16	976665	Molla a tazza	1	
17	GU92602525	Dado M25	1	
18	874280	Ingranaggio conduttore	1	
19	GU91600365	Chiavetta 3x6,5	1	

Gruppo	MOTORE
Codice	34.52
Descrizione	Lubrificazione
Revisione	1



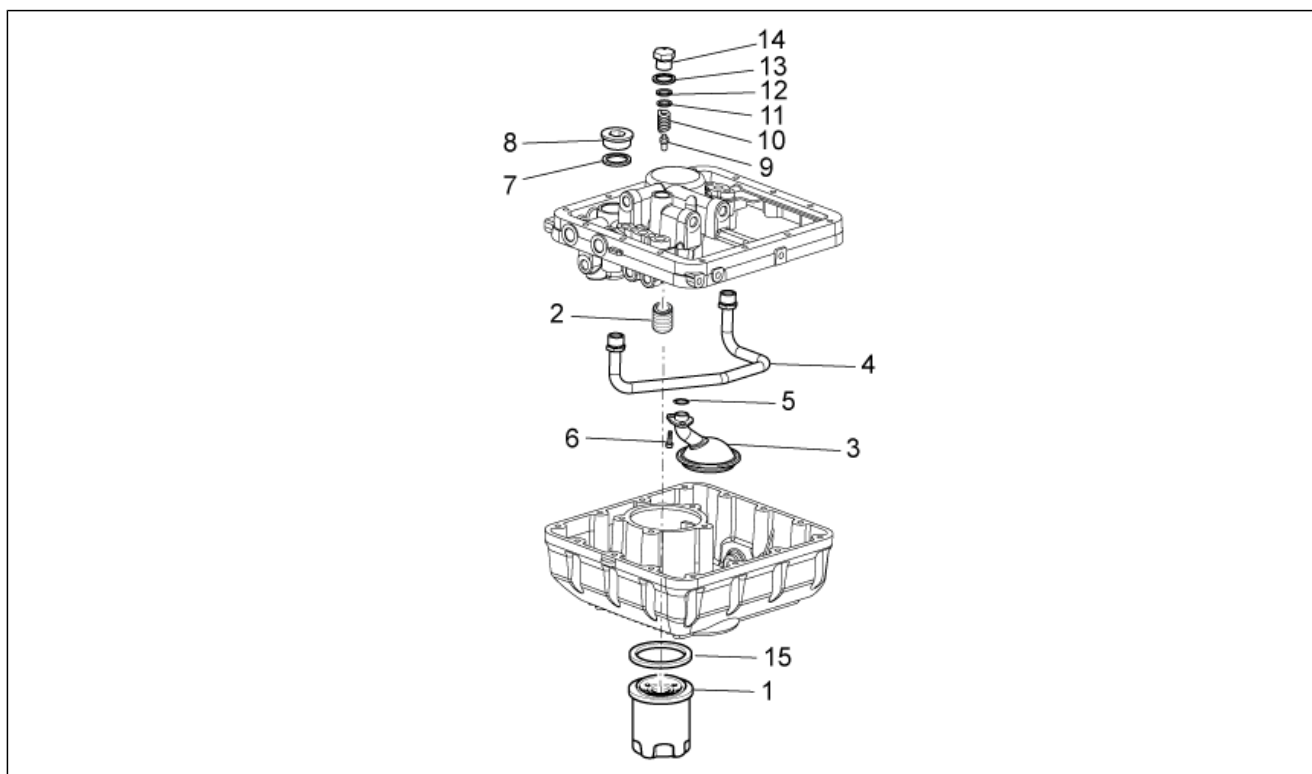
Pos.	Codice	Descrizione	Q.ta	Varianti
1	978895	Tubo mandata olio	1	
2	GU01154230	Guarnizione in alluminio	2	
3	874223	Vite forata	3	
4	874669	Nipplo	1	
5	976592	Guarnizione	1	
6	434947	Anello OR 12,42x1	2	
7	874646	Tubo olio	1	
8	013763	Rondella piana 4,2x12x1	3	
9	874645	Tubo aspirazione	1	
10	969323	Anello OR	1	
11	874655	Filtro olio aspirazione	1	
12	621914	Vite	5	
13	GU01161331	Riduzione	2	
14	978896	Tubo mandata olio	1	Specifiche Tecniche:Prima serie[1A]
15	874240	Ugello sx	1	
16	978854	Sensore press.olio	1	
17	874239	Ugello dx	1	
18	874238	Anello OR	4	
19	976597	Guarnizione in rame	6	
20	976625	Tubo mandata olio	1	Specifiche Tecniche:Seconda serie[2A]
21	981114	Anello OR	4	

Gruppo	MOTORE
Codice	34.53
Descrizione	Pompa olio
Revisione	1



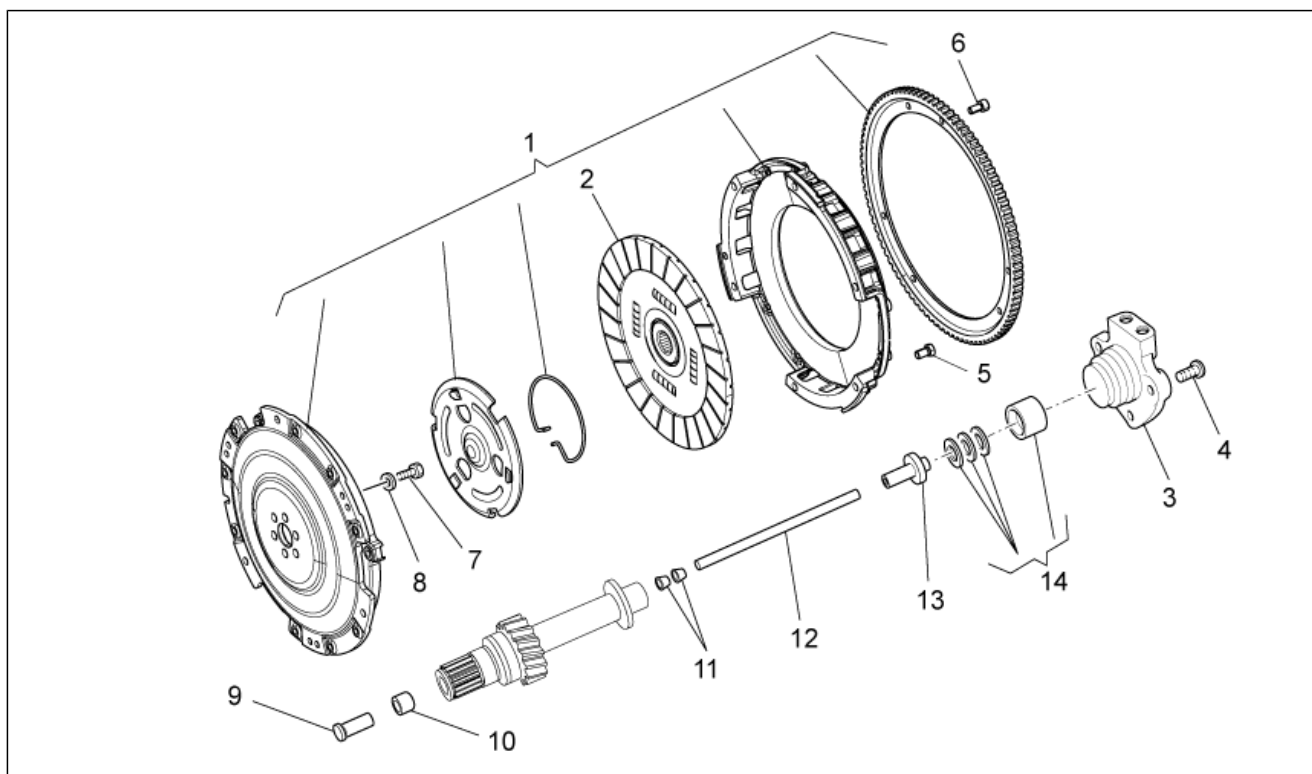
Pos.	Codice	Descrizione	Q.ta	Varianti
1	874650	Pompa olio cpl.	1	
2	GU31159050	Tappo	1	
3	GU30158900	Rosetta	2	
4	GU18144350	Rosetta 18,25x24x1	1	
5	829486	Molla	1	
6	829661	Valvola pressione olio	1	
7	237553	Anello OR	4	
8	874482	Guarnizione	1	
9	414835	Vite	3	
10	874801	Spina 2x13,8	1	
11	874616	Ingran.pompa olio	1	
12	GU03013800	Rosetta 6,4x12	1	
13	GU95005306	Rosetta 6,4x13x1,5	1	
14	873906	Dado basso	1	

Gruppo	MOTORE
Codice	34.54
Descrizione	Filtri olio
Revisione	1



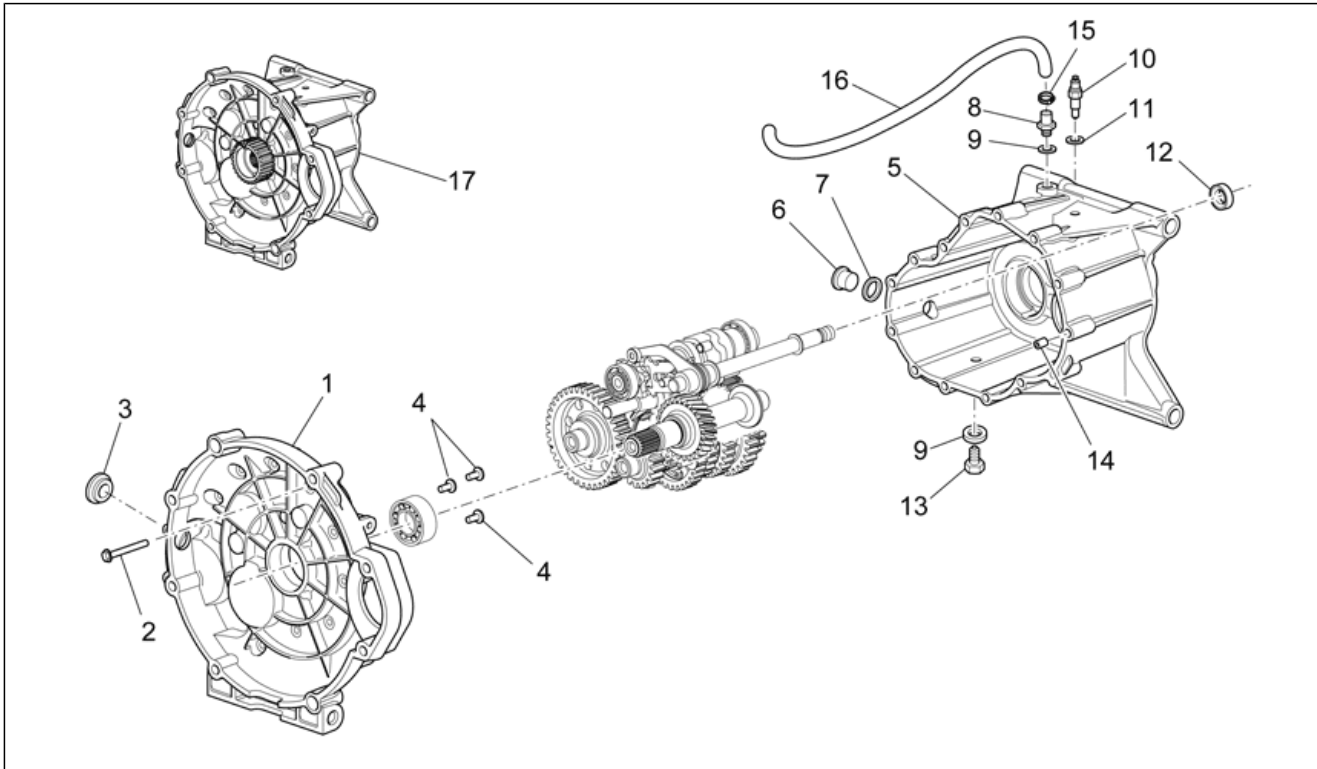
Pos.	Codice	Descrizione	Q.ta	Varianti
1	GU30153000	Filtro olio	1	
2	829122	Raccordo filtro olio	1	
3	GU05152230	Filtro olio	1	
4	GU05005730	Tubo	1	
5	GU90706151	O-ring 15,08x2,62viton	1	
6	877820	Vite TCEI M6x18	2	
7	GU01163700	Guarnizione in rame	1	
8	GU01163600	Tappo	1	
9	GU30150900	Pistoncino	1	
10	GU94321077	Molla	1	
11	GU95008206	Rosetta 6,15x11x0,8	2	
12	GU30158900	Rosetta	1	
13	GU18144350	Rosetta 18,25x24x1	1	
14	GU31159050	Tappo	1	
15	981115	Guarnizione	1	Specifiche Tecniche: Rif. Comunicazione tecnica n°...[CT1]

Gruppo	MOTORE
Codice	34.55
Descrizione	Frizione
Revisione	1



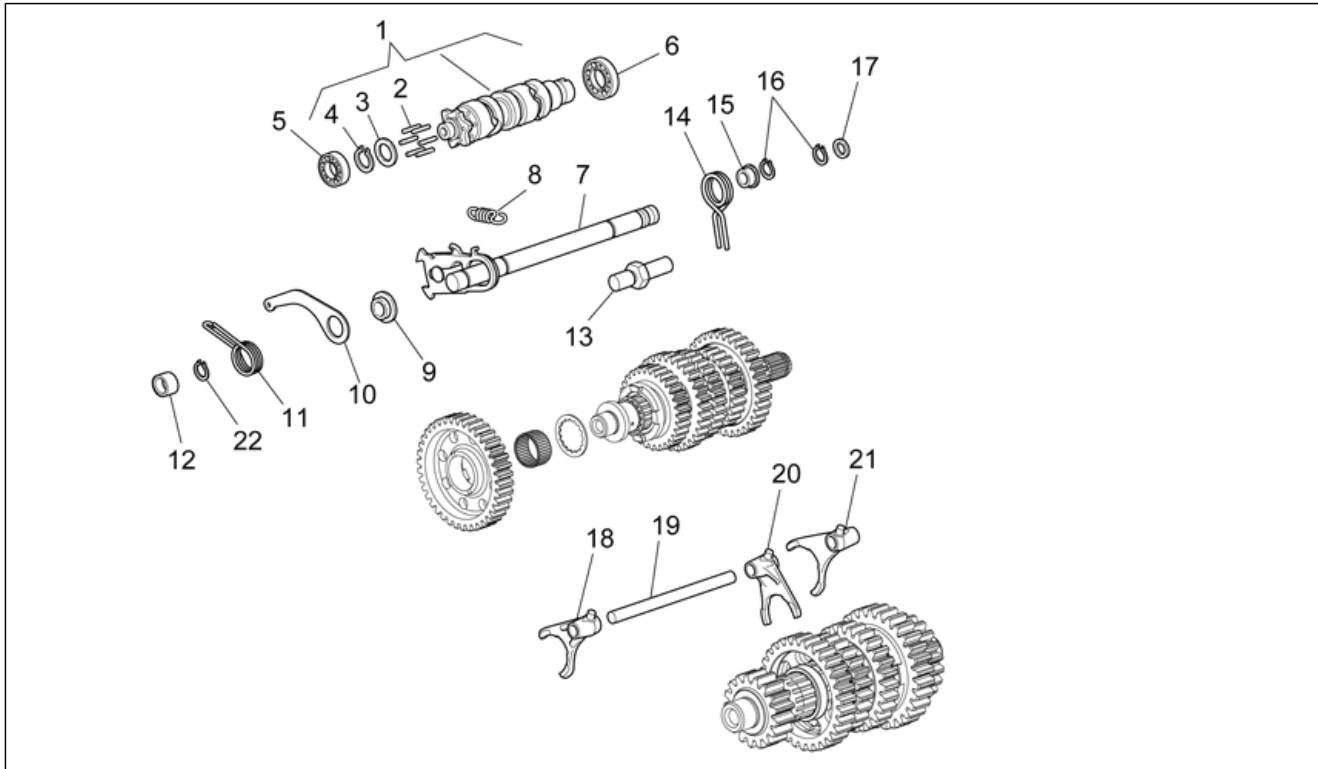
Pos.	Codice	Descrizione	Q.ta	Varianti
1	976023	Frizione cpl.	1	
2	976053	Disco frizione	1	
3	978739	Cilindro comando frizione	1	
4	AP8152278	Vite TE flangiata	3	
5	976535	Vite TCEI M7x16	6	
6	GU98230612	Vite	6	
7	976481	Vite TE flangiata	6	
8	976484	Rosetta elastica conica 8,2X15	6	
9	976563	Bicchierino comando frizione	1	
10	976564	Boccola	1	
11	GU14085900	Bussola	2	
12	976593	Asta L=mm183	1	Specifiche Tecniche: Un taglio d'identificazione[1T]
12	976594	Asta L=mm184,5	1	Specifiche Tecniche: Due tagli d'identificazione[2T]
12	976595	Asta L=mm186	1	Specifiche Tecniche: Tre tagli d'identificazione[3T]
12	976596	Asta L=mm187,5	1	Specifiche Tecniche: Quattro tagli d'identificazione[4T]
13	GU14086000	Corpo intermedio	1	
14	976696	Kit cuscinetto reggispinta	1	

Gruppo	MOTORE
Codice	34.56
Descrizione	Scatola cambio
Revisione	1



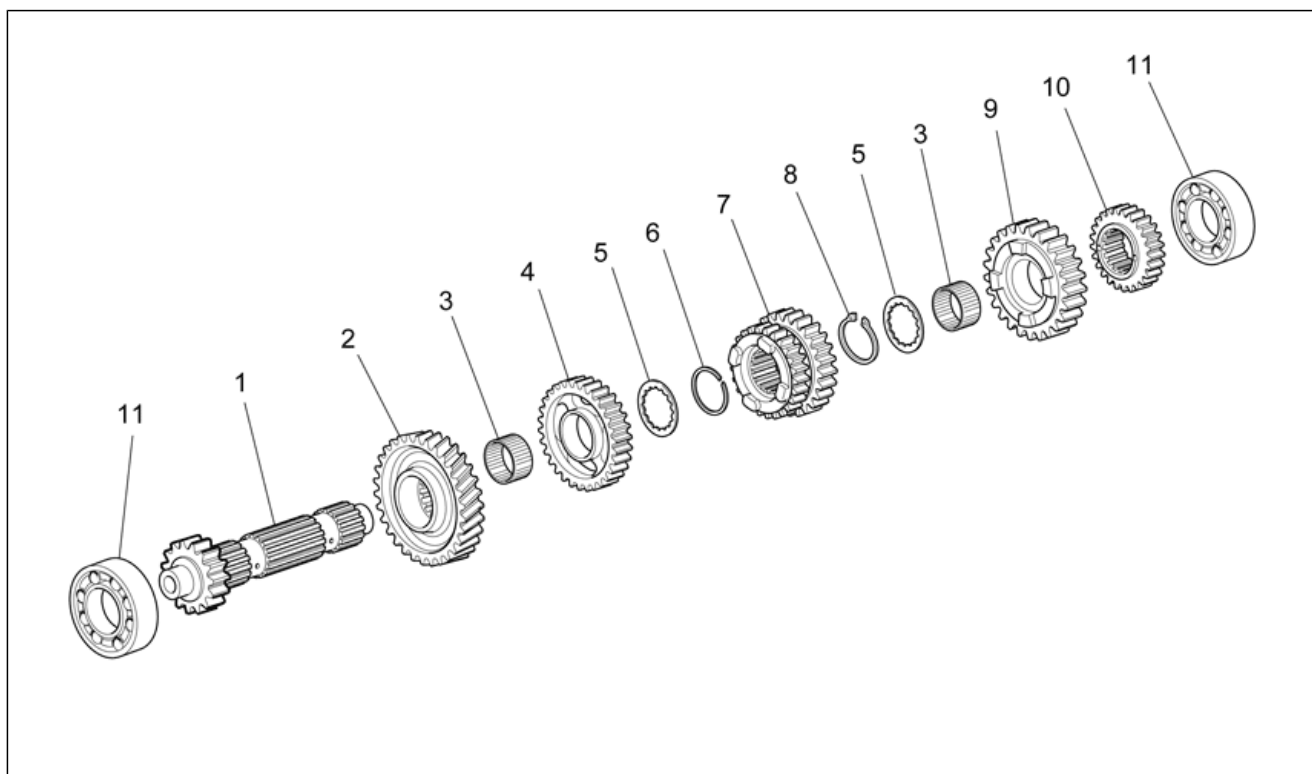
Pos.	Codice	Descrizione	Q.ta	Varianti
1	976453	Campana frizione nero	1	
2	GU97202355	Vite te flang. M6x55	14	
3	GU93180220	Tappo	1	
4	GU98370616	Vite TBEI	3	
5	976565	Scatola cambio nero	1	
6	GU95980319	Tappo olio M18x1,5	1	
7	GU18144350	Rosetta 18,25x24x1	1	
8	GU05204930	Tappo sfiato	1	
9	GU01528930	Guarnizione 10x18x1,5	2	
10	GU19207220	Sensore folle	1	
11	GU12154200	Guarnizione 8,25x15x1	1	
12	GU90401424	Anello di tenuta 14x24x7	1	
13	GU31003766	Tappo scarico olio M10x1	1	
14	GU19002020	Boccola 6,6x9x13	2	
15	AP8101595	Fascetta D10,1*	1	
16	AP8120952	Tubo benz. 5,5x10	1	
17	976934	Cambio cpl.	1	

Gruppo	MOTORE
Codice	34.57
Descrizione	Selettore cambio
Revisione	1



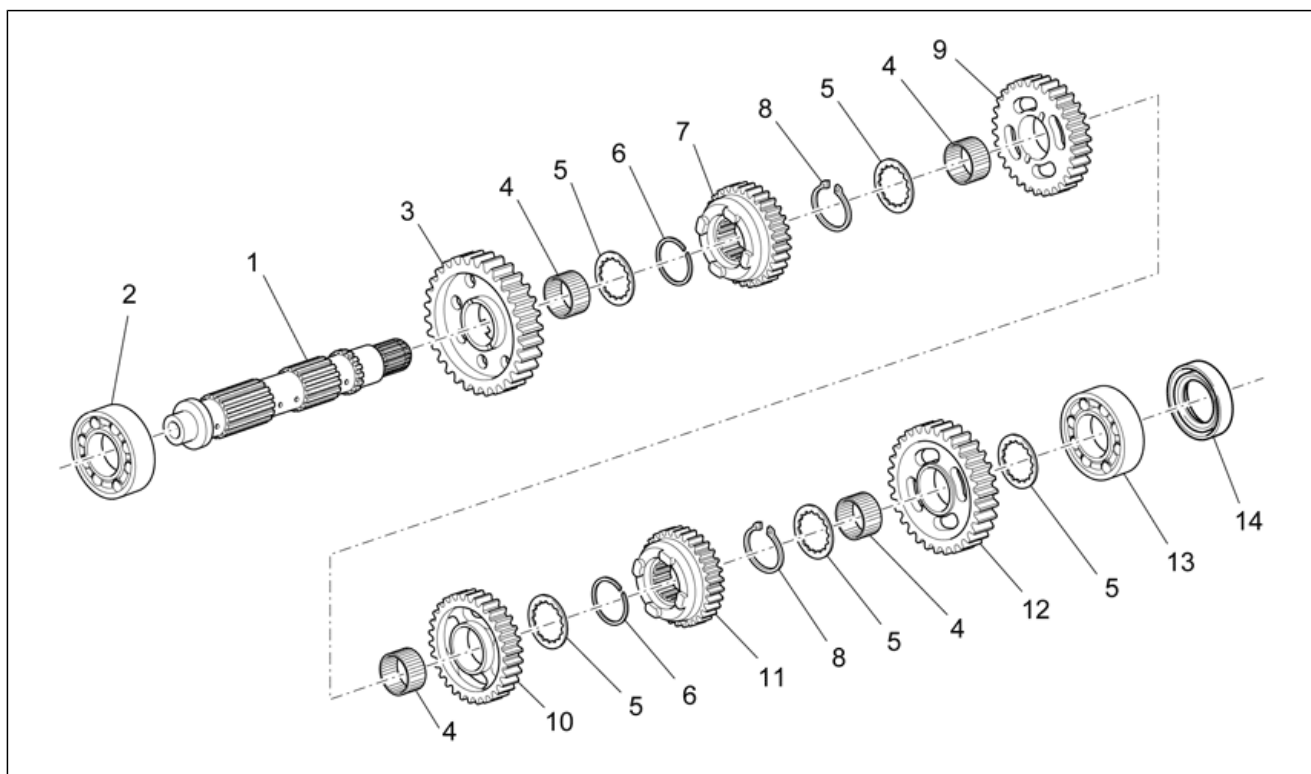
Pos.	Codice	Descrizione	Q.ta	Varianti
1	GU05234431	Desmodromico cpl.	1	
2	GU05234631	Piolo	6	
3	GU05235531	Spessore	1	
4	GU90271022	Anello Seeger	1	
5	GU92201117	Cuscinetto a sfere 17x35x10	1	
6	GU92201025	Cuscinetto a sfere 25x42x9	1	
7	GU05236231	Preselettore cpl.	1	
8	GU05238231	Molla	1	
9	GU05238431	Boccola	1	
10	GU05234731	Leva Index	1	
11	GU05234130	Molla	1	
12	GU05234230	Distanziale	1	
13	GU05234931	Perno aggancio	1	
14	GU05238331	Molla	1	
15	GU05238131	Distanziale	1	
16	GU90271014	Anello Seeger	2	
17	GU05239330	Ralla	1	
18	GU05230531	Forchetta 1a-3a	1	
19	GU05232431	Albero forchetta	1	
20	GU05232631	Forchetta 5a-6a	1	
21	GU05230831	Forchetta 2a-4a	1	
22	GU90353014	Anello Seeger	1	

Gruppo	MOTORE
Codice	34.58
Descrizione	Albero primario cambio
Revisione	1



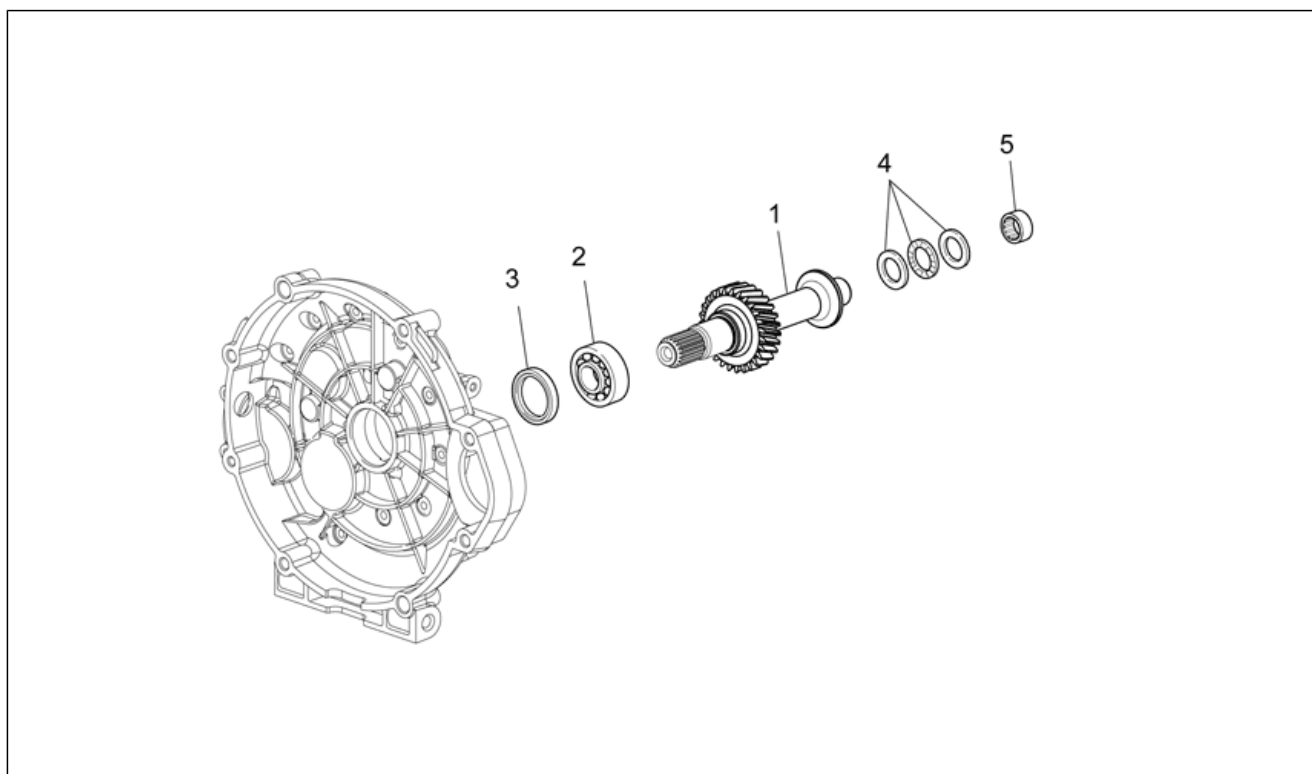
Pos.	Codice	Descrizione	Q.ta	Varianti
1	GU05210631	Albero primario Z=17	1	
2	GU05215631	Ingran.transmissione Z=35	1	
3	GU92252029	Gabbia a rulli 26x30x15,6	2	
4	GU05212031	Ingranaggio 5a Z=31	1	
5	GU05214630	Rosetta di spallamento	2	
6	GU90271230	Anello elastico 30x1,2SW	1	
7	GU05211431	Ingranaggio 3a-4a Z=23-26	1	
8	GU90271030	Anello elastico 30x27,9	1	
9	GU05212631	Ingranaggio 6a Z=29	1	
10	GU05211331	Ingranaggio 2a Z=20	1	
11	GU92201822	Cuscinetto a sfere 20x52x15	2	

Gruppo	MOTORE
Codice	34.59
Descrizione	Albero secondario
Revisione	1



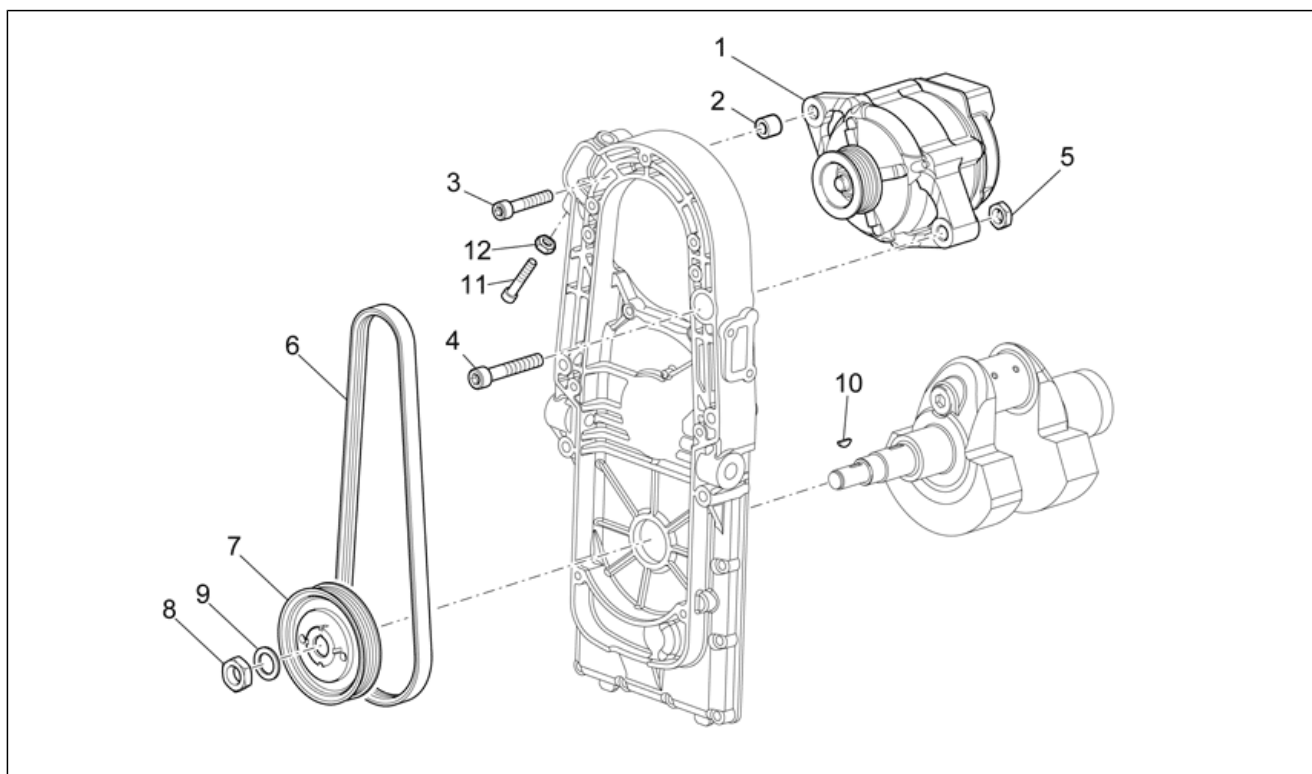
Pos.	Codice	Descrizione	Q.ta	Varianti
1	GU05213631	Albero secondario	1	
2	GU92201822	Cuscinetto a sfere 20x52x15	1	
3	GU05214231	Ingranaggio 1a Z=38	1	
4	GU92252029	Gabbia a rulli 26x30x15,6	4	
5	GU05214630	Rosetta di spallamento	5	
6	GU90271230	Anello elastico 30x1,2SW	2	
7	GU05214031	Ingranaggio 5a Z=30	1	
8	GU90271030	Anello elastico 30x27,9	2	
9	GU05214731	Ingranaggio 3a Z=31	1	
10	GU05215031	Ingranaggio 4a Z=29	1	
11	GU05220531	Ingranaggio 6a Z=25	1	
12	GU05214431	Ingranaggio 2a Z=34	1	
13	GU92201226	Cuscinetto a sfere 25x52x15	1	
14	GU90412541	Anello di tenuta 25X40X7	1	

Gruppo	MOTORE
Codice	34.60
Descrizione	Albero frizione
Revisione	1



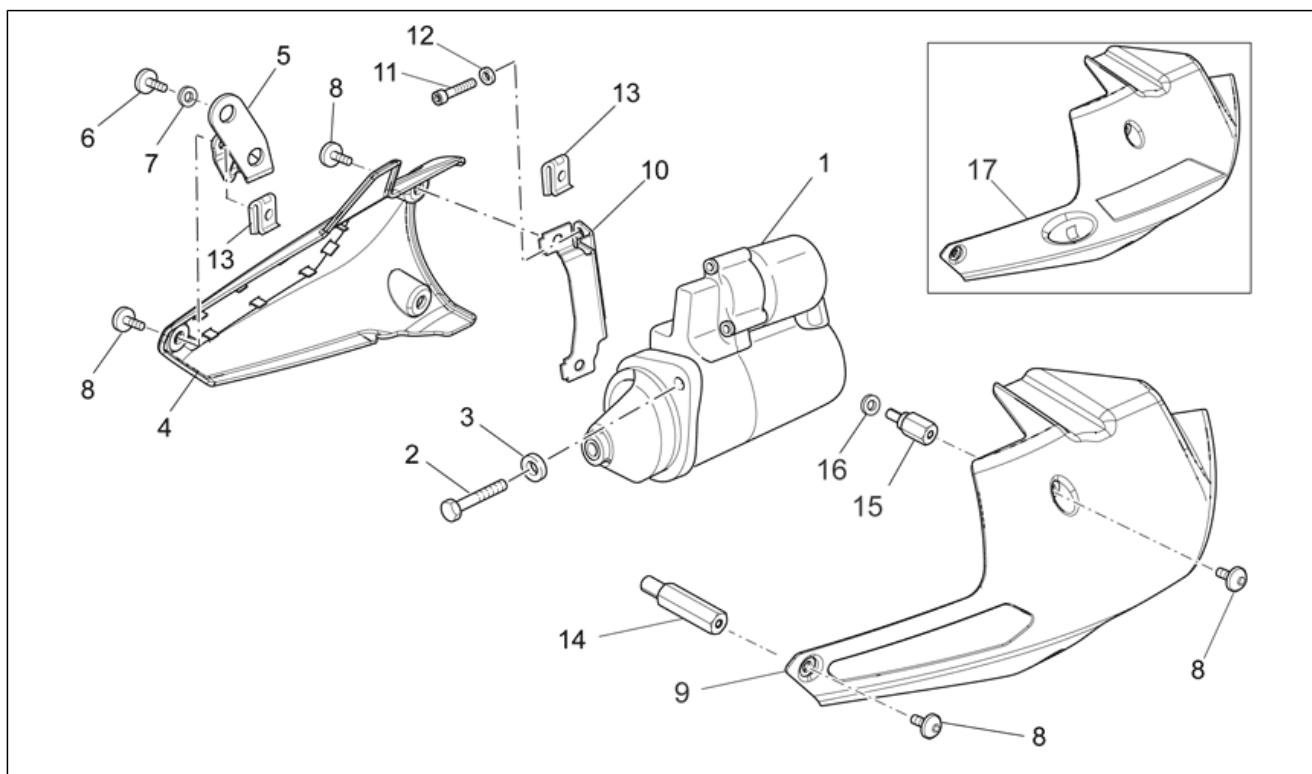
Pos.	Codice	Descrizione	Q.ta	Varianti
1	976351	Albero frizione Z=24	1	
2	GU92201226	Cuscinetto a sfere 25x52x15	1	
3	976533	Anello di tenuta 25x47x7	1	
4	976532	Cuscinetto reggispinta	1	
5	GU92232028	Cuscinetto a rulli 20x28x13	1	

Gruppo	MOTORE
Codice	34.61
Descrizione	Generatore di corrente
Revisione	1



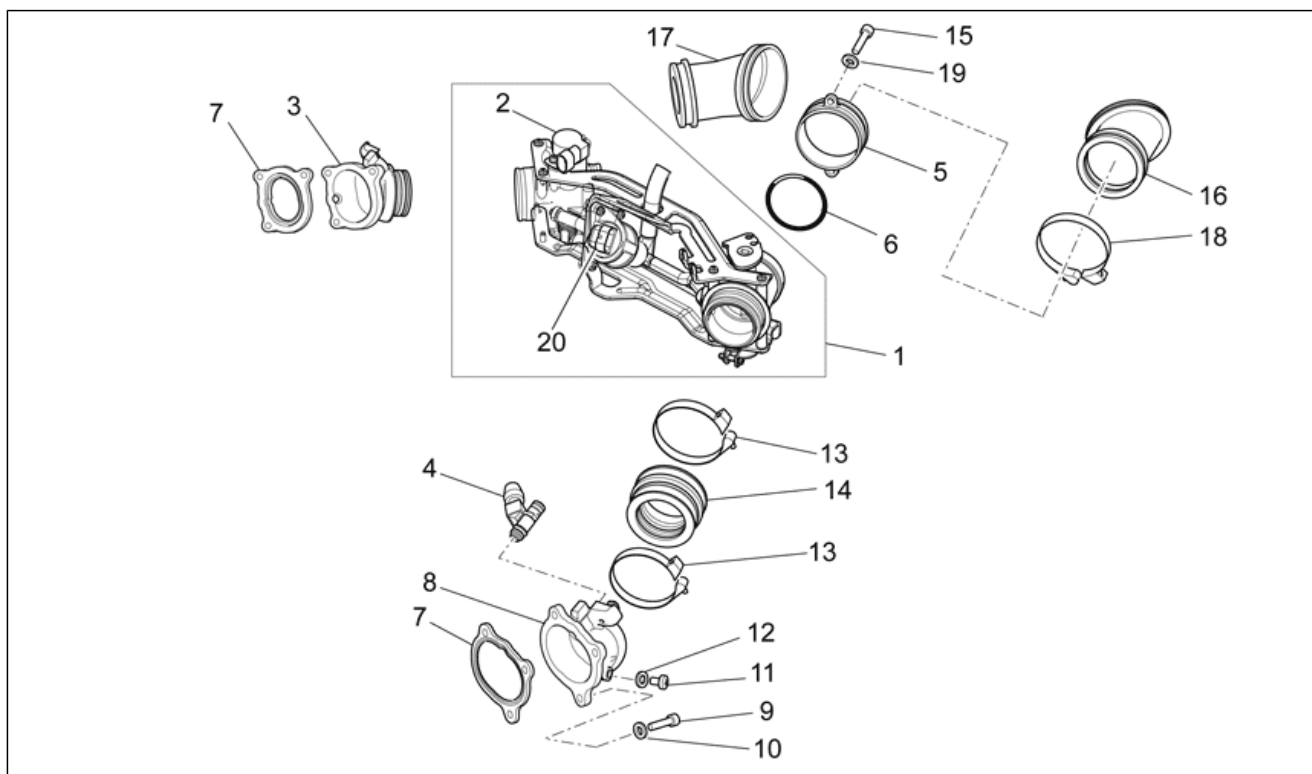
Pos.	Codice	Descrizione	Q.ta	Varianti
1	GU05712431	Alternatore	1	
2	GU91180823	Distanziale 8,5x17x13	1	
3	GU98620445	Vite TCEI	1	
4	GU98620560	Vite TCEI M10x60	1	
5	GU92660012	Dado M10X1,5	1	
6	GU05702530	Cinghia	1	
7	GU05701430	Puleggia comando alternatore	1	
8	GU92606516	Dado M16	1	
9	GU30714201	Rosetta 16,25x24,5x5	1	
10	GU4FAN000030	Chiavetta volano magnete	1	
11	GU98230850	Vite TBEI	1	
12	GU92605408	Dado M8x1,25	1	

Gruppo	MOTORE
Codice	34.62
Descrizione	Motorino avviamento
Revisione	1



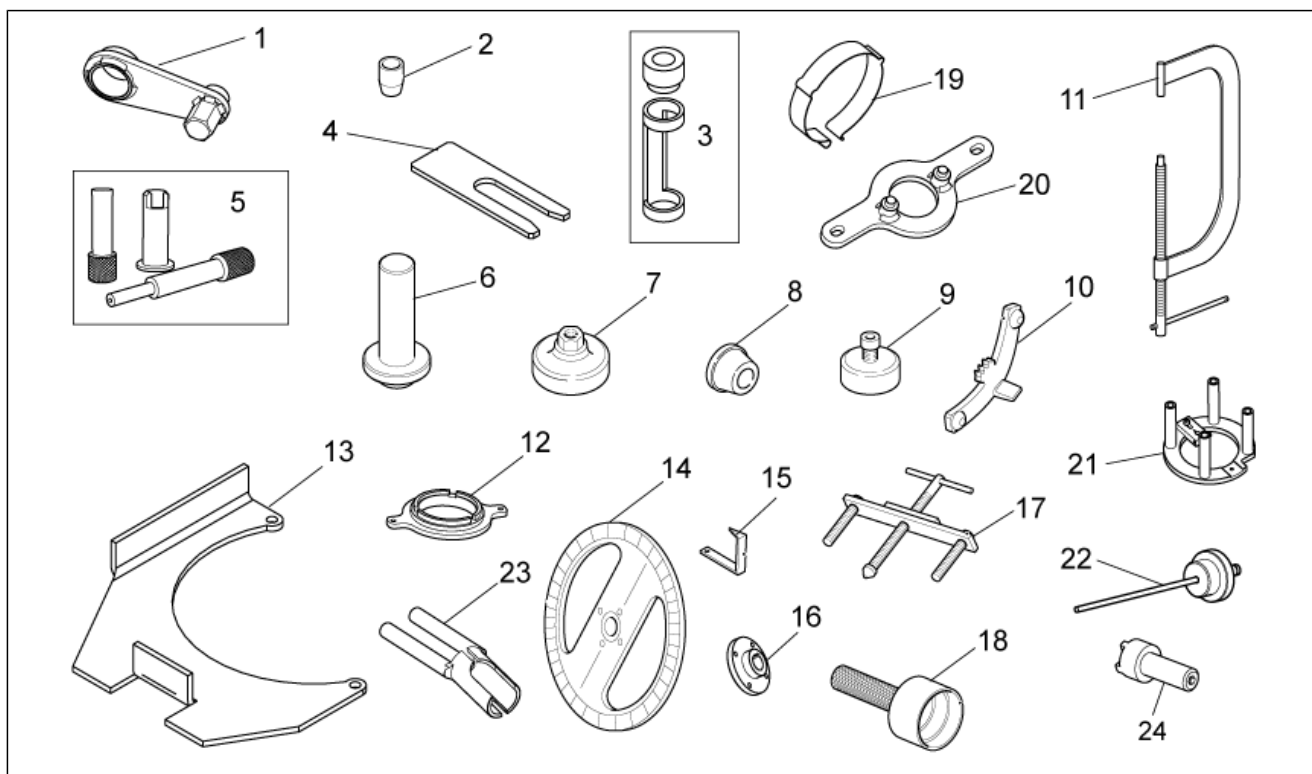
Pos.	Codice	Descrizione	Q.ta	Varianti
1	GU05730730	Motorino avviamento Bosch	1	
2	GU98082475	Vite	2	
3	GU95008208	Rosetta 8,4X15X1,5	2	
4	978852	Coprimotore DX	1	
5	978616	Supporto dx	1	
6	GU98371020	Vite TBEI	2	
7	GU19149800	Rosetta 10,5x16x1	2	
8	AP8152339	Vite TBEI flangiata M5x9	6	
9	978851	Coprimotore SX	1	Specifiche Tecniche: Prima serie[1A]
10	978618	Supporto post.	1	
11	GU97202355	Vite te flang. M6x55	2	
12	GU95005306	Rosetta 6,4x13x1,5	2	
13	AP8102375	Clip	2	
14	978880	Colonna	1	
15	978619	Colonna	2	
16	GU03013800	Rosetta 6,4x12	1	
17	883142	Coprimotore SX	1	Specifiche Tecniche: Seconda serie[2A]

Gruppo	MOTORE
Codice	34.63
Descrizione	Corpo farfallato
Revisione	1



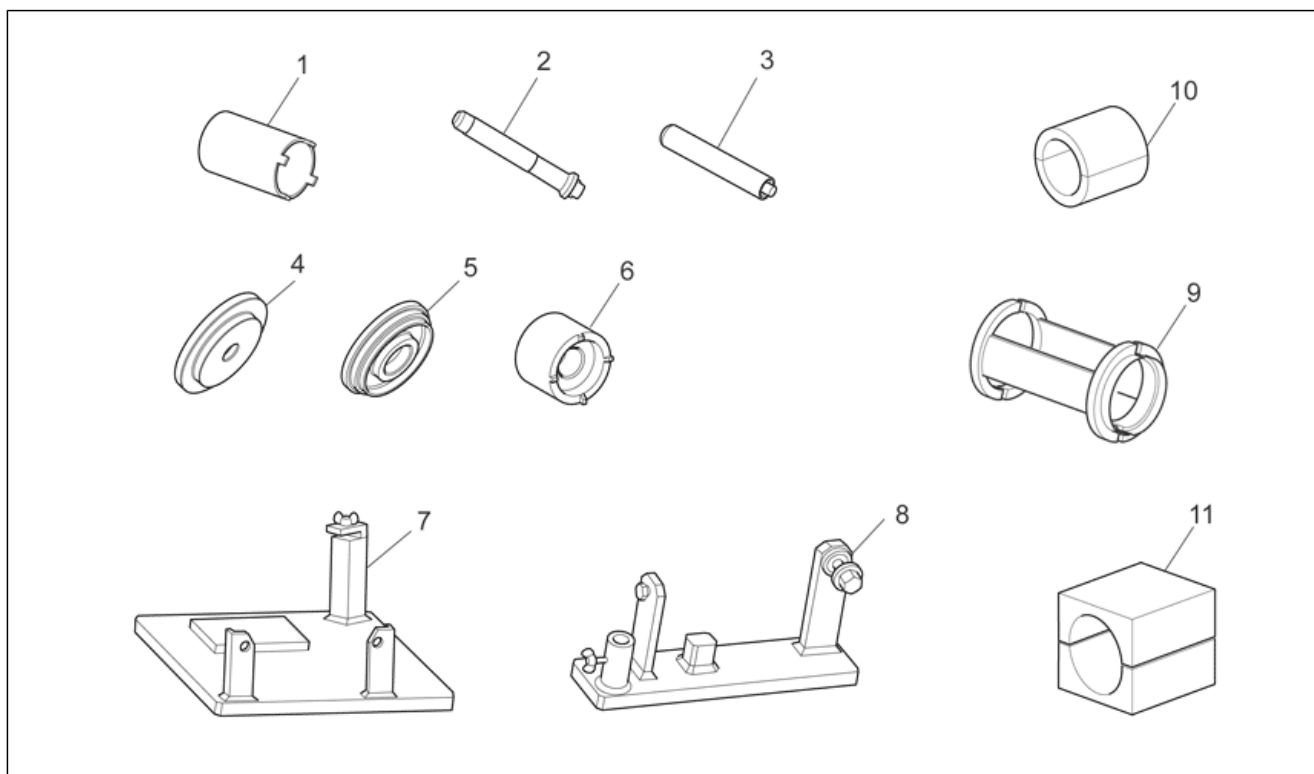
Pos.	Codice	Descrizione	Q.ta	Varianti
1	873904	Gruppo corpi farfallati	1	
2	981010	Potenziometro	1	
3	873490	Pipa aspirazione sx	1	
4	976555	Iniettore cpl.	2	
5	976498	Flangia	2	
6	976566	Anello OR 53,7x1,78	2	
7	873879	Guarnizione coll. Aspirazione	2	
8	873491	Pipa aspirazione dx	1	
9	GU98882325	Vite TCEI ribass. M6x25 M6x25	6	
10	GU95008206	Rosetta 6,15x11x0,8	6	
11	GU98350310	Vite TBEI M6x20	2	
12	GU95100116	Rosetta 6,25x10x1,5	2	
13	GU93305061	Fascetta 61/65,5	4	
14	873861	Manicotto	2	
15	GU98682212	Vite TCEI	2	
16	976494	Manicotto aspirazione dx	1	
17	976495	Manicotto aspirazione sx	1	
18	GU93306050	Fascetta piccola 50x90x9	2	
19	GU95008305	Rosetta 5,3X10X1	2	
20	981011	Motorino regolazione minimo	1	

Gruppo	ATTREZZI SPECIALI
Codice	36.64
Descrizione	Attrezzatura specifica I
Revisione	1



Pos.	Codice	Descrizione	Q.ta	Varianti
1	020677Y	Attrezzo tensionamento cinghia	1	
2	GU05911730	Cono inserimento coperchio ant	1	
3	AP9100838	Attrezzo spingimolla valvola	1	
4	020716Y	Bloccaggio biella	1	
5	020470Y	Attrez. Montag. fermi spinotto	1	
6	GU05927230	Punzone paraolio coperchio dis	1	
7	GU01929100	Coperchio coppa e filtro	1	
8	GU12912000	Flangia su albero motore	1	
9	GU14927100	Tenuta flangia lato volano	1	
10	GU12911801	Blocc.volano/corona avv.	1	
11	AP8140179	Archetto mont./smont.valvole	1	
12	020672Y	Centra spingimolla frizione	1	
13	GU05902530	Supporto per scatola cambio	1	
14	GU19929600	Disco fase distribuz.accens.	1	
15	GU17947560	Freccia fase distribuz.accens.	1	
16	020673Y	Mozzo per disco graduato	1	
17	GU12913600	Smont./mont.flangia lato vola.	1	
18	GU19927100	Anello tenuta flangia volano	1	
19	020674Y	Stringifasce	1	
20	020675Y	Fermo ingr.albero di servizio	1	
21	020676Y	Supp.comparatore pos.pistone	1	
22	020678Y	Attrezzo verifica asta frizion	1	
23	020689Y	Pinza estraz. cappuccio cand.	1	
24	GU14912603	Chiave	1	

Gruppo	ATTREZZI SPECIALI
Codice	36.65
Descrizione	Attrezzatura specifica II
Revisione	1



Pos.	Codice	Descrizione	Q.ta	Varianti
1	AP8140190	Attrezzo per serraggio sterzo	1	
2	GU05902732	Impugnatura per tamponi	1	
3	GU05902733	Tampone tenuta snodo sferico	1	
4	GU05902731	Tampone paraolio scat.trasm 85	1	
5	GU05902735	Tampone paraolio pignone 45x58	1	
6	GU05902734	Chiave per ghiera pignone	1	
7	GU05902730	Supporto scatola trasmissione	1	
8	GU05902736	Supporto coppia conica	1	
9	AP8140758	Montaggio paraolio forcella	1	
10	AP8140146	Peso per attrezzo AP8140189	1	
11	AP8140149	Protez.operazioni smont.	1	